

**OVERVIEW**

# ACCESS PLATFORMS

**LIFETIME EXCELLENCE**



## CONTENT

<u>Arguments that convince</u>	<u>04</u>
<u>Different Applications</u>	<u>06</u>
<u>Low Smart Class</u>	<u>10</u>
<u>Smart Class</u>	<u>12</u>
<u>Kit Solution</u>	<u>16</u>
<u>Light NX Class</u>	<u>17</u>
<u>Premium Class</u>	<u>21</u>
<u>Jumbo NX Class</u>	<u>24</u>
<u>Top Class</u>	<u>27</u>
<u>Manufacturing &amp; assembly locations</u>	<u>29</u>

# ACCESS PLATFORMS

## **Innovative lifting solutions guaranteed**

The PALFINGER brand is the world's synonymous of constant growth in engineering, research, quality materials and particular accurateness to all its Products range. PALFINGER access platforms are reaching working heights of between 13m and 90m for chassis weighing between 3.5t and 48t. Outstanding performance data and strong innovations have repeatedly set new standards in the market. PALFINGER access platforms are thus optimally adjusted to the relevant working range. The most important industries include rental business, municipality, tree cutting/ landscaping, power supply and cleaning/maintenance of buildings as well as the maintenance and repair of wind turbines.

# ARGUMENTS THAT CONVINC



## COUNTER SLEWING SYSTEM

Counter slewing system enables slewing within the mirror width of the chassis:

- Allows operating in narrow areas
- Space over the driver's cab is used optimally
- Compact dimensions with high mobility



## GRAPHIC CONTROL PANEL

All functions can easily be operated by using the full colour control panel. A quick-to-understand, icon-based display intuitively guides the user through the menu.



## CONVENIENT STABILISER SYSTEM

The automatic support leveling feature from PALFINGER allows the vehicle to be stabilised fast and easily. The control buttons mounted on the right and left side at the rear of the vehicle allow the greatest possible view onto the set-up space:- improved safety



## KTL COATING

High value retention and excellent corrosion protection for the whole life of a platform. The KTL coating sets the foundation for a long lasting surface protection. The components are either coated in the powder-coating facility or are finished with a two-components-top-coating.



## AUTOMATIC LEVELLING

The automatic leveling of the work platform saves time and ensures the maximum performance.

- Ensures low-torsion installation
- Best possible leveling for maximum performance
- Shortens set-up time

# ARGUMENTS THAT CONVINC



## HOME FUNCTION

The PALFINGER home function enables the access platform to be folded quickly and easily:

- Machine moves automatically to transport position
- Convenient and easy control
- Time savings at work



## MEMORY FUNCTION

The PALFINGER memory function stores the selected working position. From transport position to working position with just one button

- Time saving at working
- Easy to use



## SAFETY PLATES

PALFINGER safety plates are perfectly designed for the requirements of an access platform and allow a safe placement on each underground. The rubberized undersurface ensures grip even in wet conditions:

- Anti-slip coating
- Milled slot for centering position of stabilisers
- Smart design for optimum stackability
- Part of our standard equipment



## SIGNALS AT STABILISERS

All horizontally extendable stabilisers are equipped with flashing LED-signals when operating the outriggers/stabilisers:

- Better visibility of the outriggers and stabilisers
- Increased safety for users, pedestrians and traffic



## INCLINATION

Setting up a machine perfectly the access platform horizontally to reach the maximum working height and outreach. However, this is not always possible on slopes. Due to the positioning angle PALFINGER access platforms can work in an inclined position:

- Allows work on slopes and on uneven ground
- Stabilizers and levelling are monitored
- When set up in slanted position the platform's permissible inclination is up to 2° while the outreach is infinitely adjusted

# APPLICATIONS

## Municipalities (local authorities)

In the municipal sector, aerial work platforms often have to meet a wide range of requirements. Municipal access platforms are often used for a very long time. That is why we put a great importance to a robust and stable architecture. You can see this either in the telescopic profiles, in the selection of the wall thicknesses of the telescopes or in the high paint quality. Our development focuses on reliability and a long life of the units.

- High storage space thanks to boxes and borderings which enables loading of tools and materials
- The “minimal mode” makes work easier, e.g. when changing bulbs on street lamps
- Versatile lighting options, e.g. for the stabilization area, the loading area, for illumination of the surroundings, around the workman cage, facilitate safe working in poor lighting conditions as well as at night

## Industrial maintenance/industrial cleaning


When using aerial work platforms in industrial cleaning, high outreaches are required, whether to the side, to the front or the back of the vehicle. Of course enormous performance in height is also provided in order to reach working spots which are difficult to access in inner cities.

- The vertical parallel drive of the cage enables simple and precise control along the facades.
- With a large working cage as well as a self-sufficient power supply through an optional hydraulic generator and high-pressure hose for water or air, extensive window areas or facades can be cleaned efficiently.


## Energy supply

Only very few lines are directly accessible from the road. Often access to power lines and telecommunication poles leads over uneven terrain. All-wheel drive chassis are particularly suitable for this. Special safety requirements must be observed when maintaining and cleaning transmission and power lines. Overhead power lines must be switched off when working on them with non-high-insulated access equipment.

- In the double-insulated cage, the operator is well secured when working on power lines up to 1000 V
- A high cage load is important for carrying tools and equipment.
- Special lighting concepts facilitate maintenance work at night or in poor lighting conditions.
- High maneuverability of the basket is required when working on poles or antennas. The X-jib of the Jumbo NX between the upper boom and the working cage contributes to this.

Aerial work platform cleaning a building facade. The platform is extended horizontally to reach the side of a multi-story building with large windows.

Industrial Cleaning with a P 480

Aerial work platform maintaining power lines. The platform is extended vertically to reach high up in a wooded area, positioned near power lines.

Maintenance of power lines with a P 370 KS

# APPLICATION PICTURES



A bavarian municipality with a P 180 BK in use



Maintenance on a lock with a P 480



Window cleaning with a P 750 BK



Replacing roof tiles on the church spire with a P 900

# APPLICATIONS

## Tree cutting/Landscaping

For arborists PALFINGER work platforms are mainly used as a work tool for tree cutting. Instead of climbing and endangering yourself, you can steer safely up to the top of the tree and perform the job. Due to the high outreach of the equipment, it is possible to work on several trees without moving the aerial work platform.

- PALFINGER offers a vast variety of options specialized for tree cutting (e.g. chainsaw bracket, wooden frame on the handrail of the cage)
- Some models are also available on all-terrain chassis which offers access to hard-to-reach areas
- High wall thicknesses of the telescopes make PALFINGER aerial work platforms highly resistant to damage, even in case of collision with e.g. a tree.
- Tailor-made options such as the aluminium cage for tree cutting, the dividing grid, (protection shield), the wooden frame on the handrail of the working cage, the bracket for the chain saw optimises the work of the arborist and contribute to safety.

## Maintenance of wind turbines

A technical perfect condition is very important for wind turbines. In order to detect damages in time, the turbine has to be checked on a regular basis through visual and noise emission inspection.

Aerial work platforms are the perfect tools to shorten working hours, ensure the optimal working position and ensure safe working.

- Rapid positioning, extension and retraction of the platform allows quick adaptation to severe weather conditions.
- Transporting composite material requires a working cage with a high load capacity.
- The memory function facilitates loading and unloading.

## Rental - Rental Business

In the rental business, particularly high demands are placed on the economic efficiency of aerial work platforms. Low fuel consumption and a good tax and insurance rating reduce running costs. PALFINGER access platforms make this possible by providing high reach on small vehicles with low total weight.

- A frequent change of users requires short and simple equipment briefings.
- Simple and convenient controls enable even inexperienced operators to work quickly and safely.
- The platforms are suitable for a wide range of applications.





# APPLICATION PICTURES



Industrial maintenance with a P 570 BK



installation of solar panels with the P 300 KS



Tree cutting with a P 250 BK

# LOW SMART CLASS

The models of the Low Smart Class are characterized by their ergonomic design and their compact architecture. There are two models in the Low Smart Line Class: the P 130 A with a single articulation of the main boom it is suitable for off-road conditions as it is installed on pick-up chassis. The P 160 A with a double articulation of the boom is perfect to work in narrow spaces such as town city center.



## At a Glance

Height (m)	2,5	5,0	7,5	10	12,5	15	17,5	20	22,5	25	27,5
P 130 A											
P 160 A											

### LIGHT, VERSATIL AND COMPACT CHASSIS

- Installation on pick up
- Installation on compact chassis

### STABILISATION

- P 160 A: Stabilisation between the mirrors
- P 130 A much more stability for rough terrain

### EASY TO USE

- Hydraulic controls
- Articulated boom to overcome obstacles



### P 130 A

- Installation on Pick-up allows operations at height also on rough grounds
- As a result of its extremely low center of gravity, the P 130 A offers maximum stability both on- and off-road and also impresses with its extremely precise control behavior and flexibility in operation.
- Pantograph stabilisation in the front and vertical in the rear, which allows a better recovery of the slope of the ground and at the same time guarantees stability during operations



### P 160 A

- The P 160 A scores with compact dimensions in transport position (length 4.75 meters, height 2.75 meters, width 2.00 meters) and a support width of only 1.85 meters.
- The short wheelbase of the carrier vehicle of only 2.50 meters makes the platform as maneuverable as a car.
- Due to the stabilisation within mirror width, the platform can be placed close to the edge of kerbs or obstacles and the outreach can be used optimally.
- At the same time, the platform offers a working height of 16 meters and a reach of up to 6.30 meters.



# SMART CLASS

The Smart Line series is a product range featuring high quality components to ensure outstanding operator comfort, high performance and excellent maneuverability in its value segment. Electric controls and a short wheelbase have made the new range easier to handle and more user-friendly. The introduction of the “Plus package” on all platforms with the “Plus” designation makes the system more versatile in use depending on the flexible stabilization. Two different platform types are existing: The telescopic aerial platforms are characterized by a single telescopic boom and the articulated aerial platforms are characterized by a single or double articulation of the boom on a very compact and versatile chassis.



## At a Glance

Height (m) / Outreach (m)	2,5	5,0	7,5	10	12,5	15	17,5	20	22,5	25	27,5
P 170 TXE-E Smart Plus											
P 200 A-R											
P 200 AXE-E Smart Plus											
P 200 TXE-E Smart Plus											
P 240 AXE-Smart Plus											
P 240 A-E											

### EASY AND CONVENIENT

- Installation on short wheelbase for articulated models
- Cage rotation +/-90°
- 2 comfort access to the basket, one dedicated to the material load
- Air/water line from the column to the basket e.g. for window cleaning

### HIGH DIFFERENTIATION

- Availability of articulated models with different types of stabilisation
- One full hydraulic model is extremely easy to use and robust
- Extendable stabilisers (Plus): three working areas give more flexibility due to variable outrigger settings
- Multifunctional electric controls (E) for faster, more precise operation.

### HIGH DURABILITY

- Long lasting corrosion protection ensured through cathodic deposition dip coating using PALFINGER's KTL system on all structural metal parts
- Top boom protection against damage and dirt.



### P 170 TXE-E Smart Plus

The P 170 TXE-E Smart Plus, is an agile, high performance platform.

- Wheelbase: 3750 mm
- The lightest model in the 17 meters class



### P 200 TXE-E Smart Plus

The P 200 TXE-E Smart Plus offers unbeatable performance

- Wheelbase: 4100 mm

## GENERAL

- Extendable outriggers with vertical stabilisers (Plus)
  - Outriggers fully extended for highest performance
  - Outrigger extended just on one side for highest performance with a reduced footprint
  - Outrigger in chassis contour for a minimum footprint in narrow spaces
- Multifunctional electric controls (E) allows four aerial movements at the same time (turret, main boom, the telescopic boom and the cage)
- Aluminium cage with 250 kg and fibre glass basket with 230 kg cageload.





### P 200 AXE-E Smart Plus

- The P 200 AXE-E Smart Plus is easy to use and agile
- Many options can be added



### P 200 A-R Smart

The P 200 A-R Smart remains the only full-hydraulic platform

- Continuous access over 280° turntable rotation
- Cage load of 230kg for aluminium and fibre glass basket



### P 220 AXE-E Smart Plus

- P 220 AXE-E Smart Plus has an unbeatable outreach of 13 meters.
- Ideal for working beyond overhead obstacles.

## GENERAL

- Extendable outriggers with vertical stabilisers (Plus)
  - Outriggers fully extended for highest performance
  - Outrigger extended just on one side for highest performance with a reduced footprint
  - Outrigger in chassis contour for a minimum footprint in narrow spaces
- Multifunctional electric controls (E) allows four aerial movements at the same time (turret, main boom, the telescopic boom and the cage)
- Aluminium cage with 250kg and fibre glass basket with 230kg cageload.
- "Working position height" (knuckle height) at full outreach



### P 240 AXE-E Smart Plus

- The P 240 AXE-E Smart Plus: maximum versatility in fast height access
- High performance in outreach
- High comfort working in the cage based on optimized articulated design



### P 240 A-E Smart

The P 240 A-E Smart quick and easy to use

- Improved lateral outreach
- Continuous access over 290° turntable rotation
- Aluminium cage with 250kg and fibre glass basket with 230kg cageload
- Multifunctional electric controls (E) allows four aerial movements at the same time (turret, main boom, the telescopic boom and the cage)

## GENERAL

- With type "A" direct descent stabilisation
- Basket rotation 2x90°



# KIT SOLUTION

The kit solutions for the Smart and Low Smart line provided by PALFINGER cover a range of telescopic and articulated platforms with working height from 11 meters up to 24 meters. Choosing kit solutions the dealer can take care of the installation on local chassis which have been checked (with GVW above 5 ton) in accordance with local law. Kits have fully hydraulic controls for an easy installation and can be ordered with insulation 1000V. All the kits are provided with the instruction manual. Further features can be ordered accordingly (e.g. stabilisers, inclinometer, fibre glass cage). Subframe engineering is an additional service which can be provided per request separately)



## At a Glance

	Height (m)	2,5	5,0	7,5	10	12,5	15	17,5	20	22,5	25	27,5
P 110 T	Outreach (m)											
P 130 A												
P 160 A												
P 200 A												
P 240 A												
P 140 T												
P 170 T												
P 200 T												

### FLEXIBILITY

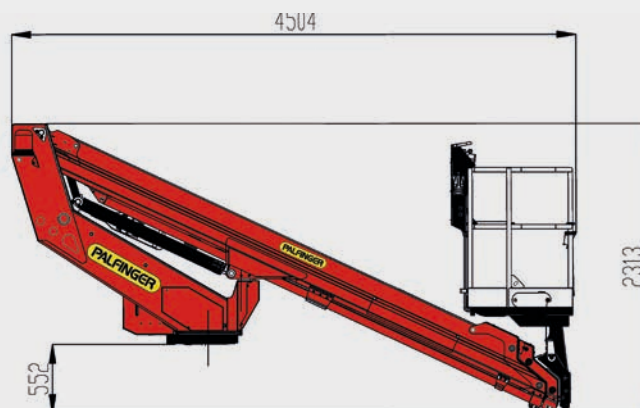
- Worldwide installation on local chassis GVW >4,5 ton
- Simple technics, easy to install / repair / maintain

### CHEAP

- Cheaper in transport and import tax costs

### TRANSPORT

- Easy and safe transport in container





# LIGHT NX CLASS

The Light Class is designed for a gross vehicle weight (GVW) of up to 3.5 t and so suitable for car driving licence B. It can also be mounted on chassis of 5 t and 7.49 t as well as on all-wheel chassis with permissible gross vehicle weights of 10.5 t. The PALFINGER Light Class is characterised by its aluminium telescopic system. The Light class is characterised in particular by its user-friendly concept, which reduces training times for rental customers and ensures safe on-site operation.



## At a Glance

Height (m) Outreach (m)	2,5	5,0	7,5	10	12,5	15	17,5	20	22,5	25	27,5	30
P 180 BK												
P 220 BK												
P 250 BK												
P 280 B												
P 280 CK												

### ALUMINIUM TELESCOPE SYSTEM

- The cast pressed telescopes with smart designed thicknesses are stable and robust characteristics of the Light Class.
- Anodisation (KTL) ensures low maintenance. The durability is guaranteed due to the high resistant coating.
- The combination of aluminium and KTL-coating provides long lasting corrosion protection and high value retention

### OPERATOR CONVENIENCE

- Time saving due to automatic stabiliser setup: greatest operating comfort and safety ensured by stabiliser controls at the base and in the cage
- Modern control panel (colour display optionally) allows up to four machine movements at the same time. The control elements can be arranged individually on the control panel.
- Standard comfort and safety functions such as Home-Function, emergency rescue system, voltage monitoring, displaying of cage load limitation

### VERSATILITY

- High cage loads up to 300 kg (660 lbs)
- Multiple stabiliser configurations with automatic controlling of the related maximum workspace
- Great mobility due to the 185° rotation (except of P 280 B) as well as 90° rotatable workman cage to both sides



**P 180 BK**



**P 220 BK**



## GENERAL

- Robust aluminium workman cage with 250 kg cage load and integrated anti-squeeze protection function in the knee rail
- Self-closing door for upright entrance to the cage
- Hydraulic cage rotation with automatic detection of middle position
- Electro-hydraulic cage levelling
- Flat substructure below the workman basket allows users to get extremely close to obstacles
- Reach optimisation thanks to monitoring of stabiliser position and set-up angle inclination
- Automatic stabiliser levelling system with wheel clearance monitoring
- Three stabiliser configuration jackings: within vehicle width, wide jacking and one-side wide jacking and automatic release of the related workspace
- Can be mounted on various chassis (3.5 t – 7.5 t GVW)



**P 250 BK**

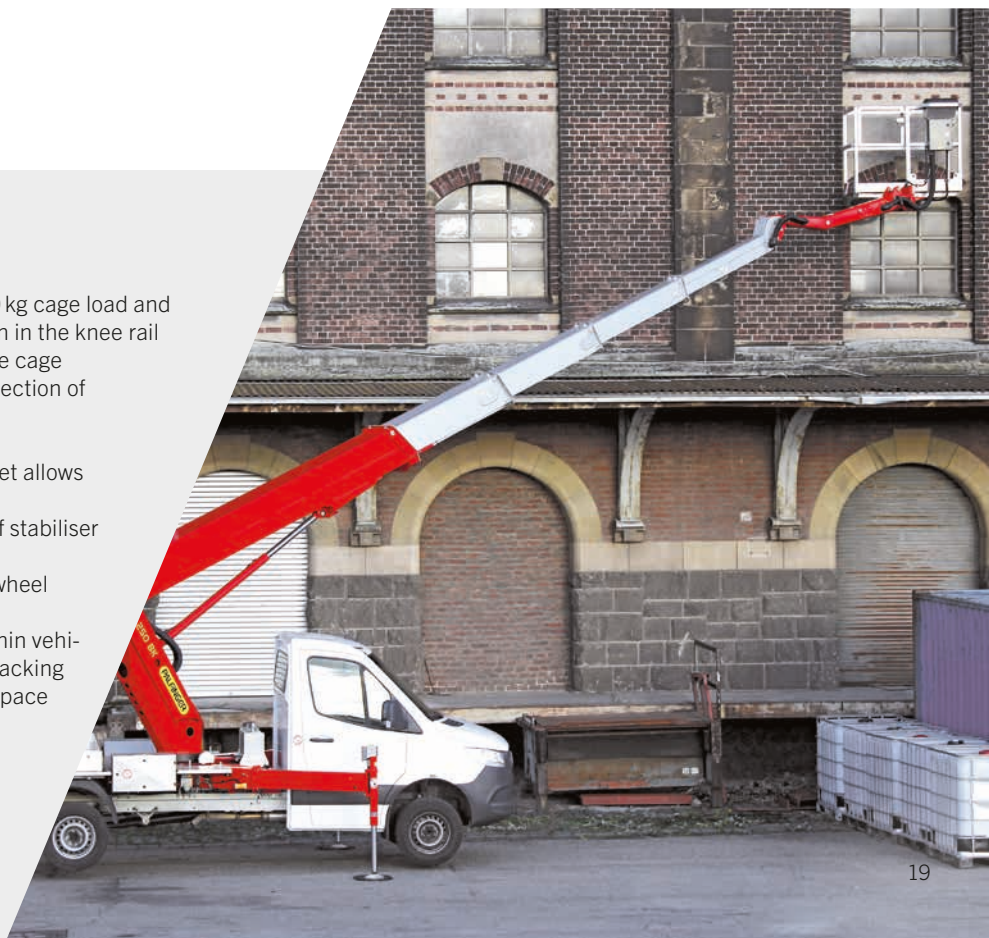


**P 280 B**

- The working height can be reached even with a full cage load on 3.5 t chassis

## GENERAL

- Robust aluminium workman cage with 250 kg cage load and integrated anti-squeeze protection function in the knee rail
- Self-closing door for upright entrance to the cage
- Hydraulic cage rotation with automatic detection of middle position
- Electro-hydraulic cage levelling
- Flat substructure below the workman basket allows users to get extremely close to obstacles
- Reach optimisation thanks to monitoring of stabiliser position and set-up angle inclination
- Automatic stabiliser levelling system with wheel clearance monitoring
- Three stabiliser configuration jackings: within vehicle width, wide jacking and one-side wide jacking and automatic release of the related workspace
- Can be mounted on various chassis (3.5 t – 7.5 t GVW)





## P 280 CK

### SPECIAL FEATURES:

- Robust aluminium workman basket with 300 kg cage load and integrated anti-squeeze protection function in the knee rail
- Large loading area with high payload reserve, e.g. for tool loading
- Low overall height of 3.30 m (7,5t–8.8t) - ideal for use in inner-city areas
- Easy loading and unloading of the working cage: Even with fully raised stabilizers, the working cage can be moved close to the ground.
- Effective outreach: The effective outreach measured from the floor plate is 17.5 m. Due to the stabilisation within mirror width, the platform can be placed close to the edge of kerbs or obstacles and the outreach can be used optimally.
- Circular working diagram > 8,1 t GVW (depending on the chassis) with minimum stabilization, the P 280 CK has a circular working diagram with the full outreach of almost 19 m



# PREMIUM CLASS

Extensive standard equipment, a wide range of additional equipment and the option to install the system on all-wheel or standard chassis from different manufacturers and weight classes make the Premium class a truly customisable access platform.

The Premium class scores with a user-friendly operating concept featuring a colour graphic display and offers a high degree of flexibility. In this class, PALFINGER offers access platforms with a counter slewing system, which makes it possible to turn the platform within the vehicle's width, making it ideal for working while traffic is flowing.



## At a Glance

Height (m) Outreach (m)	5	10	15	20	25	30	35	40	45
P 300 KS									
P 370 KS									
P 370 KSE									

### COUNTER SLEWING SYSTEM

- Allows operating in restricted places
- Space over the driver's cab is used optimally
- compact dimensions with high mobility

### BEST PERFORMANCE DATA

- enormous outreach up to 31.5 m
- high cage load up to 500 kg
- Outrigger stroke up to 1.000 mm to enable the application on a rough terrain

### VARIETY OF VARIANTS

- Mounting on chassis from 7.5 t to 18 t GVW
- Immensely versatile in and out of town (4x2 or 4x4)
- Possibility of different cabins (C, M, L cabins)



### P 300 KS

- Improved performance data of minimal mode: 10 degree jib movement to the left and right, operations at 8 meters working height offer time savings at maintenance work
- Ergonomic, upright entrance to the working cage via steps
- Isolation package in connection with aluminium cage (optional)
- Automatic adjustment of outreach due to monitoring inclination of MEWP
- 730 mm stabilisers stroke and up to 5° of inclination (depending on chassis)



### P 370 KS

- Improved performance data of minimal mode: 8,5 degree jib movement to the left and right, operations at 13 meters working height offer time savings at maintenance work
- Sliding ladder for access with position monitoring (open/closed)
- Hydraulic cage rotation with automatic detection of middle position
- basket control panel with display
- Stabiliser control panel at the base
- Foldable rear underrun protection for a larger slope angle (optional)
- Driver information system via display in the cab and Premium basket control panel
- Integrated tool tray
- Cleaning hatch
- 1000 mm stabilisers stroke and up to 7° of inclination (depending on chassis and working mode)



### GENERAL

- Easy and simple cage changing possibility
- Powerlift-System with 150 kg payload
- Stabiliser operation from the base at the left and at the right side
- Electro-hydraulic cage levelling
- Home-Function
- Memory-Function
- Automatic stabiliser levelling system
- Continuously variable stabilisers



## P 370 KS E

Option package: Electric drive consists of two electric engines + battery system (40KVA power) mounted in tool box on platform's decking:

- Combination of a diesel- with an electric drive system
- Quiet, efficient and emissions-free (Sound level E-drive: 62 dB), making it ideal for night-time and indoor work as well as for use on environmental friendly construction sites in urban areas.
- Ca. 3 hours full operation correspond to a full working day
- Charging time normal charging: ca. 7–8 hours; Quick-Charge: ca. 6 hours; Top-up charging possible in working breaks.
- Working on battery power is sufficient for one complete working day (depending on usage)
- Reduction of charging time thanks to an intelligent quick-charging function
- Connection battery charger: CEE plug, 400 VAC, 16 ampere. Emergency mode anytime available via truck engine.
- If the battery charge is low, platform operation can be continued via truck engine.



# JUMBO CLASS NX

The Jumbo class is characterised by its high degree of flexibility combined with outstanding performance. With special profile structures and lightweight materials, the design ensures that this series has a low net weight. This allows more tools, working accessories and material to be transported on the vehicle. The distinctive X-jib means that even workplaces that are difficult to access can be reached easily. This flexibility is supported in particular by the workman basket with a rotation of 2 x 200 degrees. This basket rotation device allows the full basket width of 3.88 m to be utilised at the rear of buildings.



## At a Glance

Height (m) / Outreach (m)	20	25	30	35	40	45	50	55	60	65	70	75
P 480												
P 570												
P 640												
P 750												

### X-JIB

- 240° jib rotation
- Extended mobility because of additional arm
- separate operation allows accurate positioning

### VARIETY OF LIFTING SOLUTIONS

- Powerlift System, Material Handler, Boom Winch & Crane Winch:
- to lift easily and safely large and bulky loads
  - Lifting capacity up to 1300 kg (depending on the relevant option)
  - Cost-savings due to no additional crane needed

### QUALITY AND VALUES

- Long lasting corrosion protection ensured through cathodic deposition dip coating using PALFINGER's KTL system on all structural metal parts
- Hoses and cables are protected inside the jib
- Well designed ergonomic and user friendly operation concept (eg. In-cage cleaning opening, automatic lubrication of telescopes, easy reachable oil tank)





## P 480

- Can be mounted on 2-axle 18 t (GVW) or 3-axle 26 t (GVW)
- Optimised working envelope with 26 t (GVW) chassis and optional counter weight
- Telescopic upper boom up to 17 m length
- 1000 mm stabilising stroke to compensate highly uneven terrain

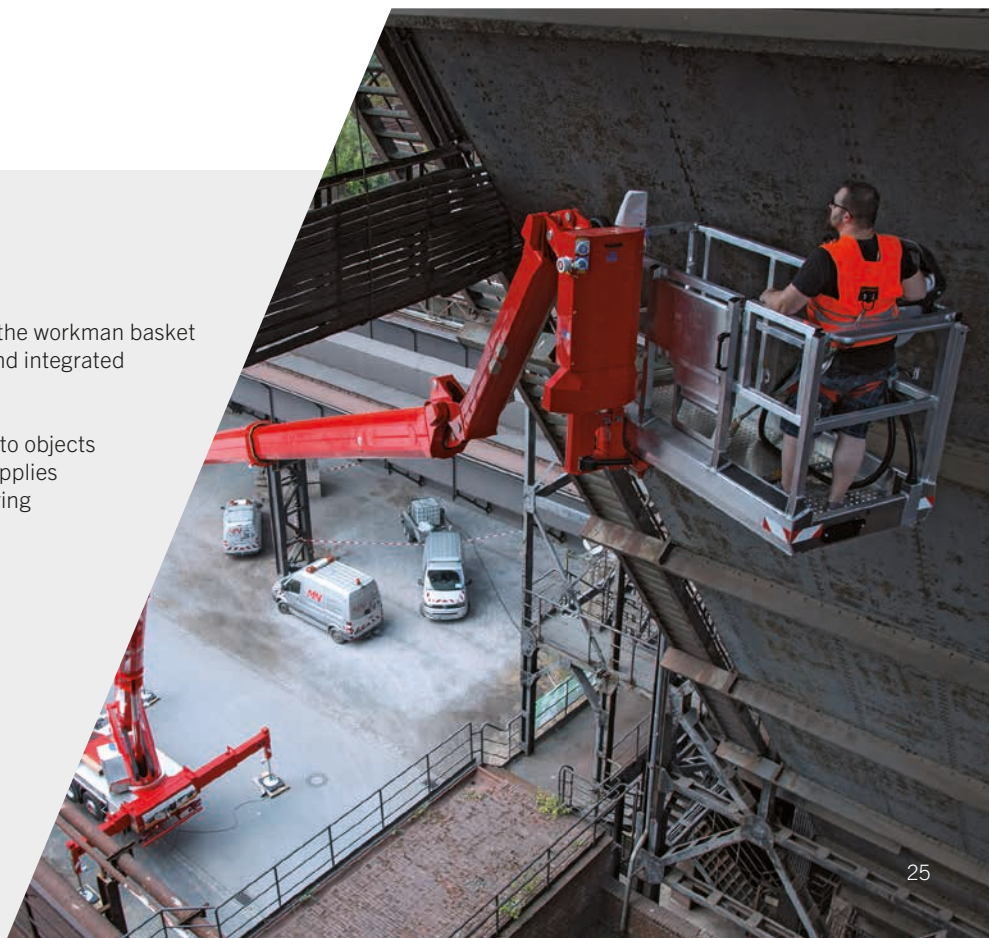


## P 570

- Can be mounted on 3-axle 26 t (GVW) or 4-axle 32 t (GVW)
- Optimised working envelope with optional counter weight
- Telescopic upper boom up to 19 m length
- 900 mm stabilising stroke to compensate highly uneven terrain

## GENERAL

- Greater working range thanks to 240° X-jib
- 2 x 200° rotation for perfect positioning of the workman basket
- Telescopic basket with 600 kg cage load and integrated preparation for Powerlift system
- Powerlift-System with 600 kg payload
- Hanging basket enables users to get close to objects
- Automatic telescope lubrication system supplies the lower boom telescopes with grease during platform operation





### P 640

- Can be mounted on 4-axle chassis with 32 t (GVW)
- Optimised working envelope with optional counter weight
- 900 mm stabilising stroke to compensate highly uneven terrain



### P 750

- Can be mounted on 4-axle chassis with 32 t (GVW)
- Optimised working envelope with optional counter weight
- 900 mm stabilising stroke to compensate highly uneven terrain



### GENERAL

- Greater working range thanks to 240° X-jib
- 2 x 200° rotation for perfect positioning of the workman basket
- Telescopic upper boom up to 19 m
- Telescopic basket with 600 kg basket load and integrated preparation for Powerlift system
- Hanging basket enables users to get close to objects
- Automatic telescope lubrication system supplies the lower boom telescopes with grease during platform operation

# TOP CLASS

One exceptional feature of the Top class is the vertical lower boom telescope, which provides an extremely high degree of stability. PALFINGER offers its customers a working height of 90 m on a standard truck with lots of storage space. An ergonomically designed second control stand belongs to the standard equipment. It offers an optimal view on the arm system. The access platform can be controlled from the base and the workman cage can be used for any application without restriction



At a Glance		30	35	40	45	50	55	60	65	70	75	80	85	90
Height (m)														
Outreach (m)														
P 900														

## ADJUSTABLE ULTRASONIC ANTI-COLLISION SYSTEM

- Adjustable distance 0,35 m – 2m
- Acoustic / visual warning to prevent collision
- “Auto-stop” option

The System is unique to PALFINGER

## GPD-GRAVITY POWERED DRIVE

Performance due to gravity. Thanks to a sophisticated energy recovery system, it is still possible to perform the following functions even when the engine is switched off:

- Slew the turntable
- Raise and lower the telescopic booms
- Retract the telescopes
- Level, rotate, extend and retract the workman basket

Safe return to the ground at any time by low noise level and no fuel consumption. The system is unique to PALFINGER

## SPECIAL EQUIPMENT

- Integrated hydraulic tank incl. easy maintenance access hatch
- Fuel tank integrated into toolbox, for theft protection (standard truck tank as “dummy”)
- Extra-large storage space and illuminated tool boxes behind the driver’s cabin provides space for all work equipment



## P 900

- Telescopic cage with 530 kg cage load and integrated preparation for Powerlift system (this system provides support for special cage options, lifting winch, etc)
- 180° horizontal cage boom rotation
- 930 mm stabilizing stroke to compensate for highly uneven terrain
- Highest available “wind speed” rating on the market (industry standard 12.5 m/s)
- Upgraded rating for “wind speed 7” (15.5 m/s) which allows operations which normally are restricted



# MANUFACTURING & ASSEMBLY LOCATIONS

## GERMANY

PALFINGER Platforms GmbH presents truck mounted aerial work platforms on the highest technology level. Almost 400 employees at the locations in Löbau and Krefeld make it possible to fulfill special customer requests every day anew, in order to meet the requirements of the most diverse fields of application of our aerial work platforms. The customers benefit from a complete product portfolio between 18 and 90 meters working height „from a single source“, an established sales and service network and numerous synergies resulting from the know-how in steel construction, electronics and hydraulics.



### PALFINGER PLATFORMS GMBH KREFELD

Production of truck mounted access platforms from 32 to 90 meters working height.

- R&D department
- Sales and Service
- Service Dept for PALFINGER GmbH
- Product briefing and handover



### PALFINGER PLATFORMS GMBH LÖBAU

Production of truck mounted access platforms from 18 to 37 meters working height.

- R&D department
- Spare parts centre
- Paint Shop

# MANUFACTURING & ASSEMBLY LOCATIONS

## ITALY

PALFINGER Platforms Italy is specialized in design, production, sales & marketing and after sales services focused to its exclusive Smart/Low Smart lines of products. Available in articulated and telescopic versions and from 11 meters to 24 meters working height, the Smart/Low Smart range can be supplied truck mounted and in kit version.



### PALFINGER PLATFORMS ITALY MODENA

Design development and prototyping of new models from 11 up to 24 meters in truck mounted access platforms and kit solutions.

- R&D department
- Sales
- Spare Parts
- Service and After Sales
- Product briefing and handover



### PALFINGER PLATFORMS ITALY CADELBOSCO

Production plant of truck mounted aerial working platform from 11 up to 24 meters and kit solutions.

- Production Planning Department
- Production



Your contact

PALFINGER Platforms GmbH  
Düsseldorfer Str. 100  
47809 Krefeld | Germany

KP-POPM1+EN

Units shown in the leaflet are partially optional equipped and do not always correspond to the standard version. Country-specific regulations must be observed. Dimensions may vary. Subject to technical changes, errors and translation mistakes.