

**PK 21.501 SLD 1 | PK 22.501 SLD 3
PK 21.501 SLD 3 | PK 24.001 SLD 5
PK 24.001 SLD 6**

**RELIABLE PARTNER
FOR EVERYDAY USE**

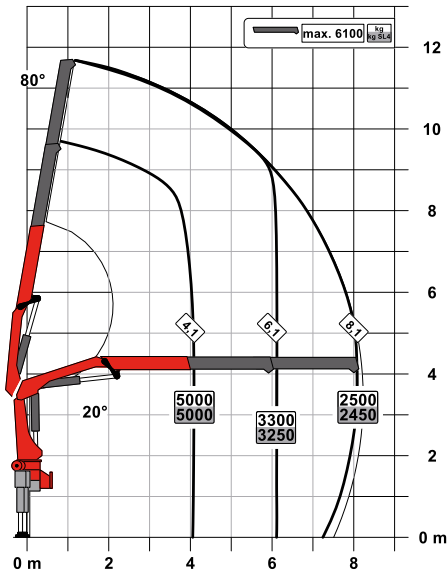
LIFETIME EXCELLENCE



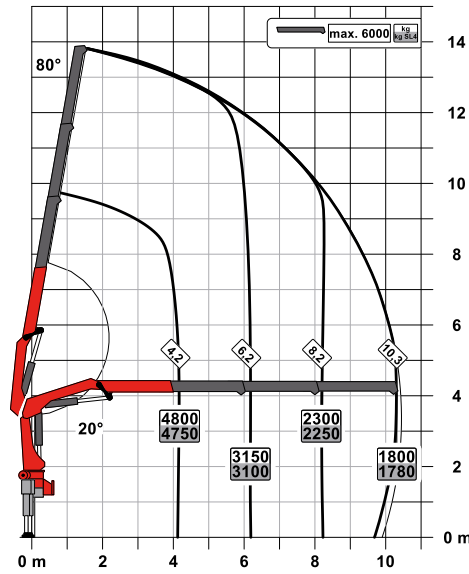
PERFECT DIMENSIONS

PK 21.501 SLD 1

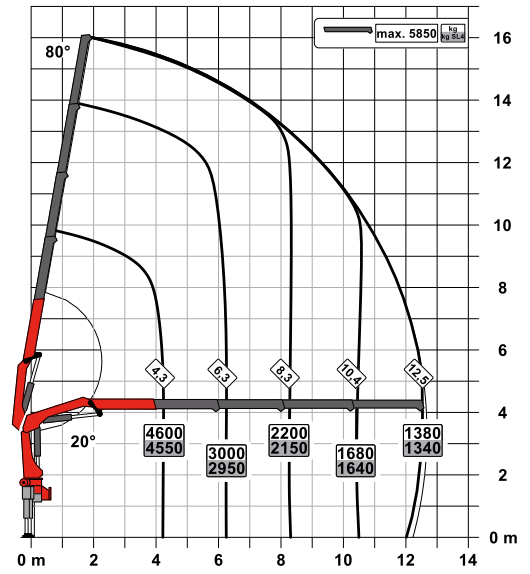
A



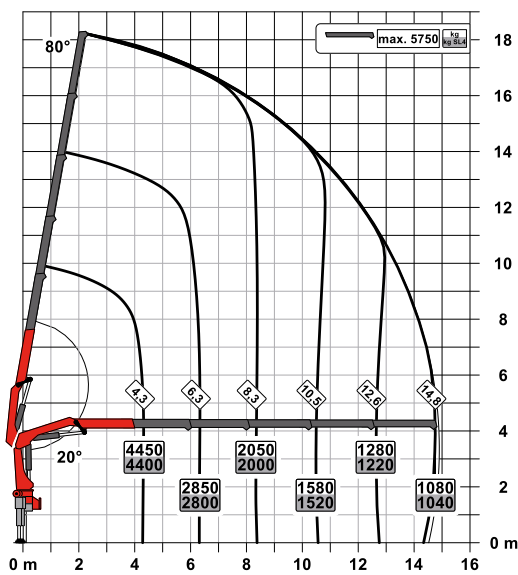
B



C



D



SLD 1 (NON-CE)

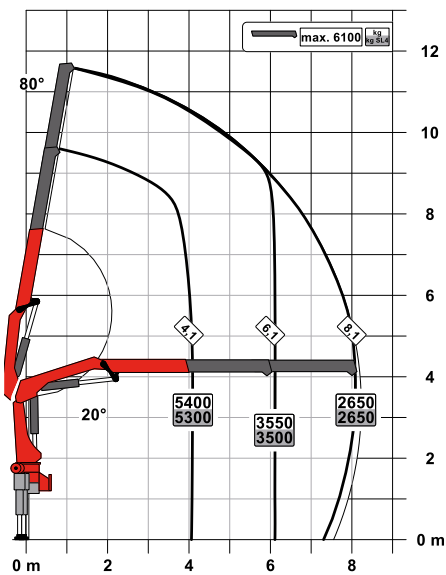
- Single Link Plus
- Optional:
 - Overload protection OSK
 - Top seat control
 - High stand control
 - Radio remote control
- NON-CE model

Technical specifications (EN 12999 HC1 HD4/S2)

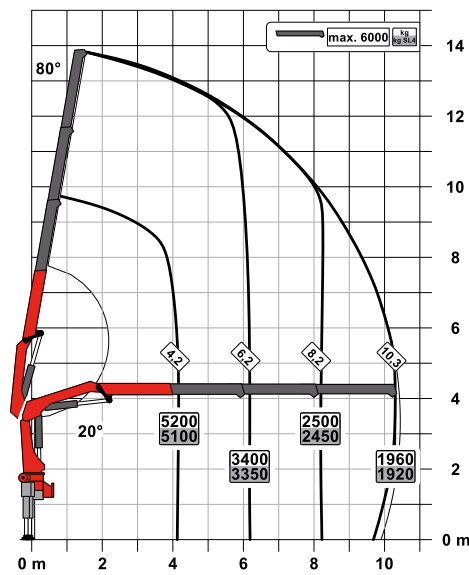
Max. lifting moment	20.9 mt/205.2 kNm	151,290 ft.lb
Max. lifting capacity	6200 kg/60.8 kN	13,700 lb
Max. hydraulic outreach	14.9 m	48' 11"
Max. manual outreach	19.1 m	62' 4"
Slewing angle	400°	
Slewing torque	2.3 mt/23.0 kNm	16,960 ft.lb
Outreach	8.1 m	26' 7"
Stabiliser spread (std./max.)	5.0 m/ 7.4 m	16' 5"/ 24' 3"
Fitting space required (std.)	0.91 m	2' 12"
Width folded	2.50 m	8' 2"
Max. operating pressure	330 bar	4,785 psi
Recommended pump capacity	from 45 l/min to 60 l/min	11.9 US gpm 15.9 US gpm
Dead weight (std.)	2250 kg	4,960 lb

PK 22.501 SLD 3

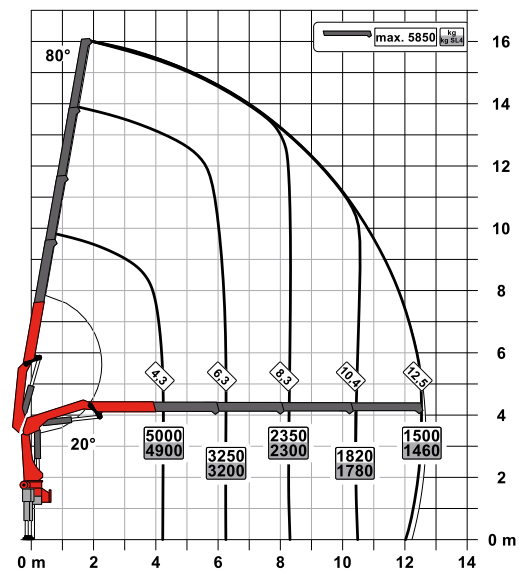
A



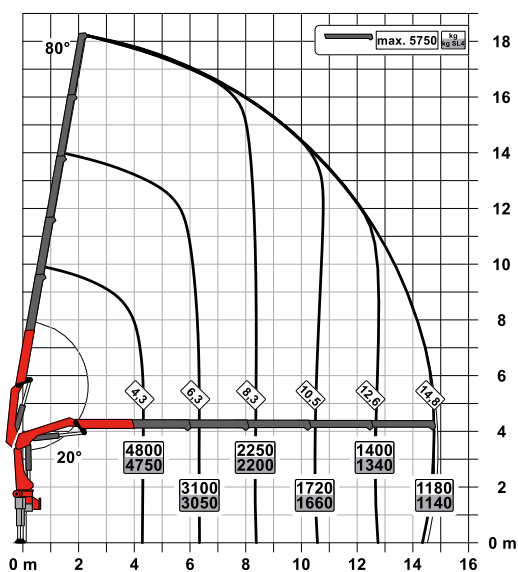
B



C



D



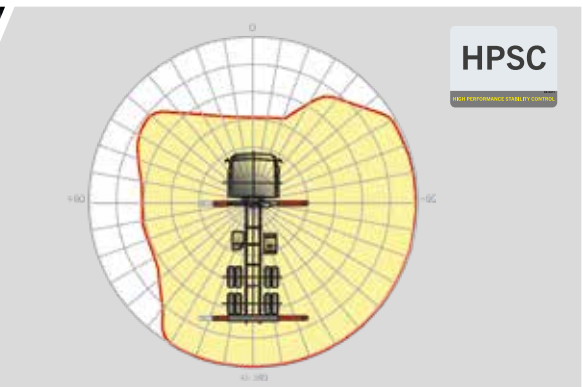
SLD 3 (NON-CE)

- Single Link Plus
- M-HPLS
- Paltronic overload protection
- NON-CE model

Technical specifications (EN 12999 HC1 HD4/S2)

Max. lifting moment	22.4 mt/219.4 kNm	161,760 ft.lb
Max. lifting capacity	6200 kg/60.8 kN	13,700 lb
Max. hydraulic outreach	14.9 m	48' 11"
Max. manual outreach	19.1 m	62' 4"
Slewing angle	400°	
Slewing torque	2.3 mt/23.0 kNm	16,960 ft.lb
Outreach	8.1 m	26' 7"
Stabiliser spread (std./max.)	5.0 m/ 7.4 m	16' 5"/ 24' 3"
Fitting space required (std.)	0.91 m	2' 12"
Width folded	2.50 m	8' 2"
Max. operating pressure	350 bar	5,075 psi
Recommended pump capacity	from 45 l/min to 60 l/min	11.9 US gpm 15.9 US gpm
Dead weight (std.)	2250 kg	4,960 lb

ABILITY TO WORK EFFICIENTLY AT THE HIGHEST LEVEL



Single Link Plus

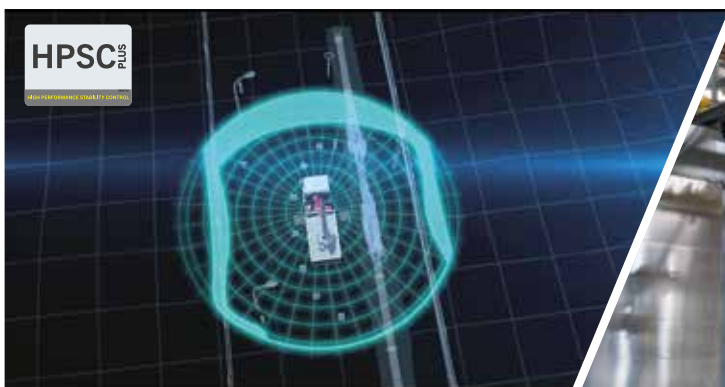
More power on the hook

The knuckle joint significantly improves the crane's motion geometry. Can be angled upwards, up to 15°.

HPSC*

Maximale Ausschöpfung des Arbeitsbereiches

Die variable Stützenpositionierung des High Performance Stability Control Systems ermöglicht die maximale Ausschöpfung der Hubleistung. Der Einsatz des Kranes ist auch unter eingeschränkten Platzverhältnissen möglich.



HPSC-Plus LOAD*

Longer reach due to load detection

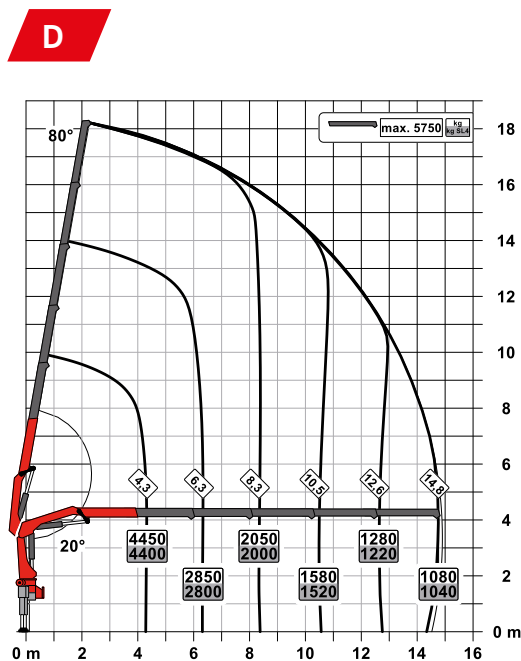
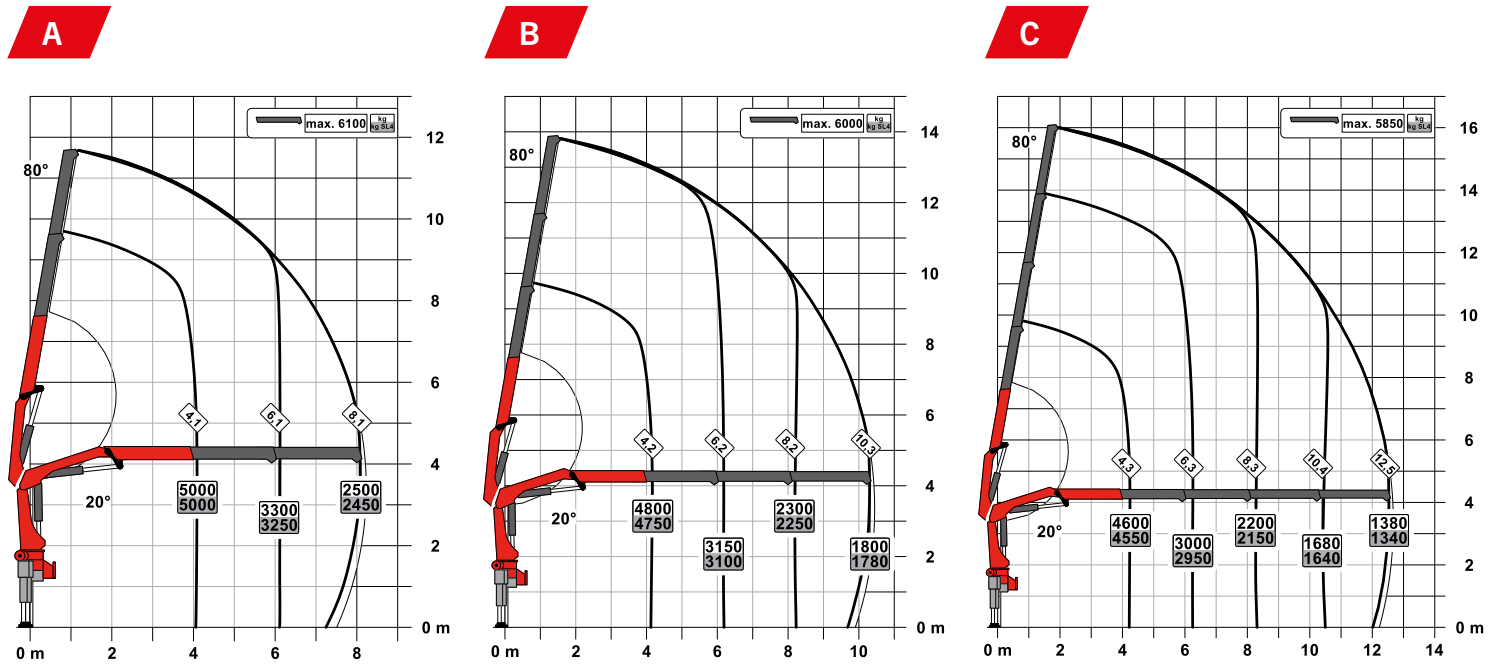
HPSC-Plus LOAD is an additional module, extending the stability system HPSC. Thanks to inclination monitoring, lifting capacity can be maximized using the truck's load.

Coating technology

Top quality surface protection at a glance

The KTL coating lays the foundation for a perfect surface protection. Afterwards the components are either coated in the powder-coating facility or are finished with a two-components topcoat. High value retention and excellent corrosion protection for the whole life of a crane.

PERFECT DIMENSIONS



SLD 3

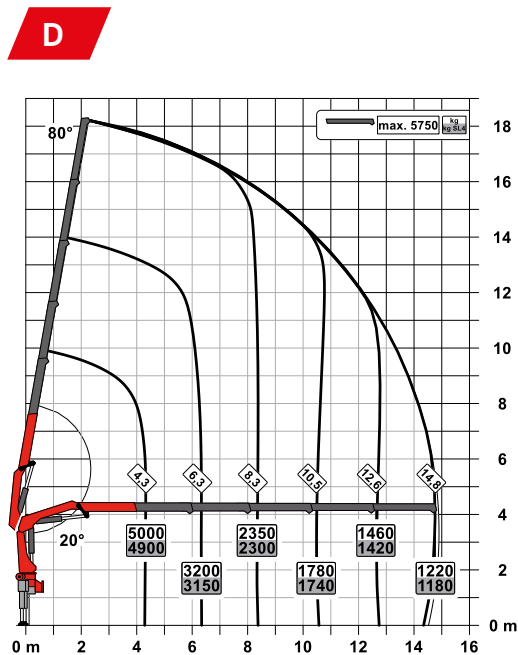
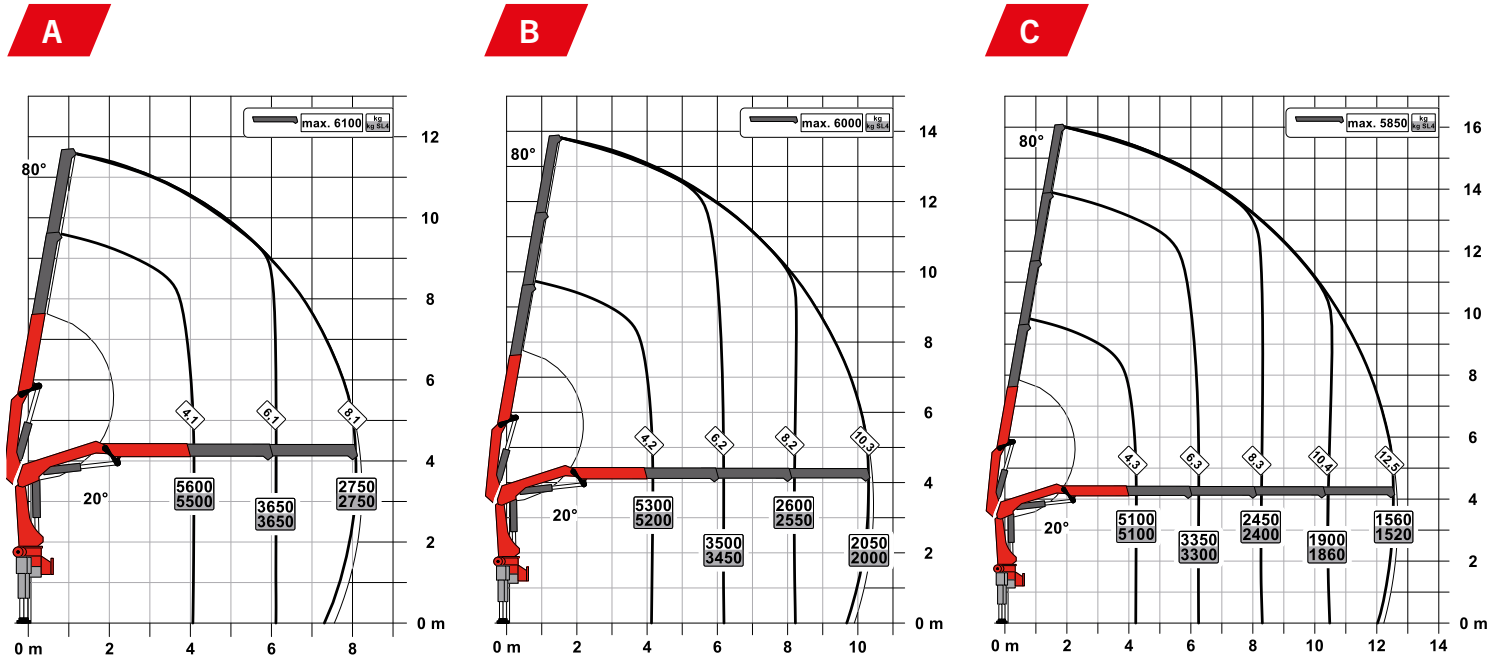
- Single Link Plus
- Paltronic overload protection
- Optional:
 - Stability monitoring system ISC-S (standard for CE), HPSC-L, HPSC-E
 - High stand control
 - Radio remote control
 - Rope winch 2.5t on the knuckle boom
 - Rigid stabilizer BS001
- NON-CE and CE model

Technical specifications (EN 12999 HC1 HD4/S2)

Max. lifting moment	20.9 mt/205.2 kNm	151,290 ft.lb
Max. lifting capacity	6200 kg/60.8 kN	13,700 lb
Max. hydraulic outreach	14.9 m	48' 11"
Max. manual outreach	19.1 m	62' 4"
Slewing angle	400°	
Slewing torque	2.3 mt/23.0 kNm	16,960 ft.lb
Outreach	8.1 m	26' 7"
Stabiliser spread (std./max.)	5.0 m/7.4 m	16' 5"/24' 3"
Fitting space required (std.)	0.91 m	2' 12"
Width folded	2.50 m	8' 2"
Max. operating pressure	330 bar	4,785 psi
Recommended pump capacity	from 45 l/min to 60 l/min	11.9 US gpm to 15.9 US gpm
Dead weight (std.)	2250 kg	4,960 lb

PERFECT DIMENSIONS

PK 24.001 SLD 5



SLD 5

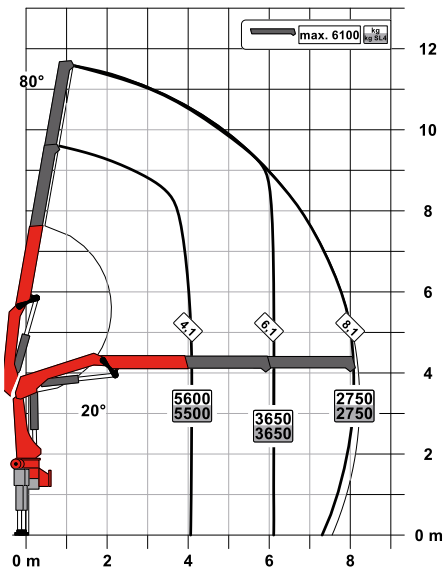
- Single Link Plus
- Paltronic overload protection
- A-HPLS
- Load Sensing valve
- Radio remote control with LED display
- Optional:
 - Stability monitoring system ISC-S (standard for CE), HPSC-L, HPSC-E
 - Rope winch 2.5t on the knuckle boom
 - Rigid stabilizer BS001
- NON-CE and CE model

Technical specifications (EN 12999 HC1 HD4/S2)

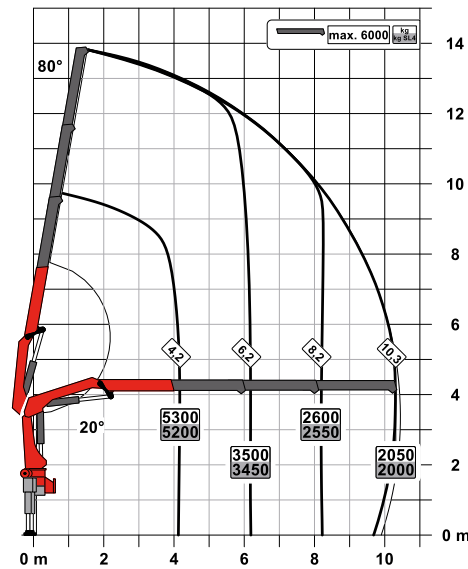
Max. lifting moment	23.1 mt/226.5 kNm	167,000 ft.lb
Max. lifting capacity	6200 kg/60.8 kN	13,700 lb
Max. hydraulic outreach	14.9 m	48' 11"
Max. manual outreach	19.1 m	62' 4"
Slewing angle	400°	
Slewing torque	2.3 mt/23.0 kNm	16,960 ft.lb
Outreach	8.1 m	26' 7"
Stabiliser spread (std./max.)	5.0 m/ 7.4 m	16' 5" / 24' 3"
Fitting space required (std.)	0.91 m	2' 12"
Width folded	2.54 m	8' 2"
Max. operating pressure	360 bar	5,220 psi
Recommended pump capacity	from 65 l/min to 90 l/min	17.2 US gpm to 23.8 US gpm
Dead weight (std.)	2250 kg	4,960 lb

PK 24.001 SLD 6

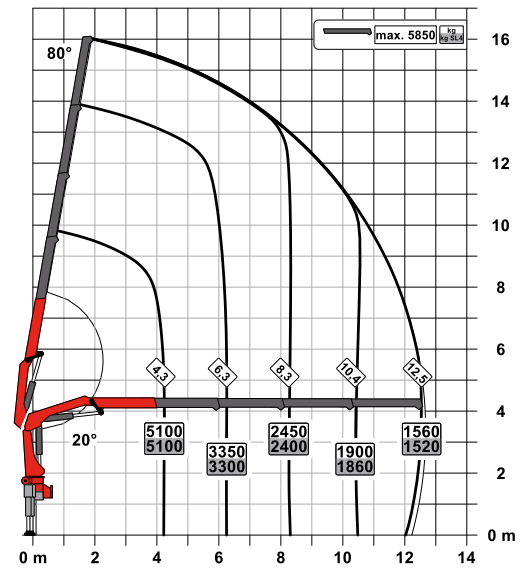
A



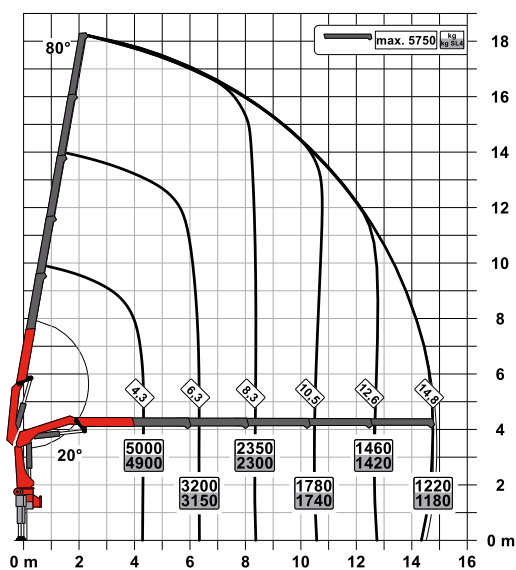
B



C



D



SLD 6

- Single Link Plus
- Paltronic overload protection
- HPSC
- A-HPLS
- Load Sensing valve
- Radio remote control with LCD display
- Optional:
 - Rope winch 2.5t on the knuckle boom
 - Additional stabilizers
 - AOS
- CE model

Technical specifications (EN 12999 HC1 HD4/S2)

Max. lifting moment	23.1 mt/226.5 kNm	167,000 ft.lb
Max. lifting capacity	6200 kg/60.8 kN	13,700 lb
Max. hydraulic outreach	14.9 m	48' 11"
Max. manual outreach	19.1 m	62' 4"
Slewing angle	400°	
Slewing torque	2.3 mt/23.0 kNm	16,960 ft.lb
Outreach	8.1 m	26' 7"
Stabiliser spread (std./max.)	5.6 m/ 7.4 m	18' 6"/ 24' 3"
Fitting space required (std.)	0.91 m	2' 12"
Width folded	2.54 m	8' 4"
Max. operating pressure	360 bar	5,220 psi
Recommended pump capacity	from 65 l/min to 90 l/min	17.2 US gpm 23.8 US gpm
Dead weight (std.)	2320 kg	5,110 lb

KP-PK21-24001M1+EN

Cranes shown in the leaflet are partially optional equipped and do not always correspond to the standard version. Country-specific regulations must be observed. Dimensions may vary. Subject to technical changes, errors and translation mistakes.