

P 170 T KIT

CONTRACT NUMBER: 44170168

NEW

AVAILABLE




SPECIFICATION

- RAL 9016
- Aluminum basket
- Turntable support
- Fittings for safety belts on basket
- Engine on/off control from the basket
- Manual emergency descent controls
- Electric hour meter
- Spirit level
- Outrigger/boom interlock
- Air/water supply to the basket
- Emergency hand pump
- 230 V or 110 V / 16 A socket on the basket
- Test button for signal lights on panels
- Emergency stop buttons
- Basket rotation 90°+90° (not available for 130 A and P 160A)
- Flanged lock valves on all cylinders
- Max. pressure valves on hydraulic system
- Moment limiter (P140T/P170T/P200T/P240A)
- Accessories box

OFFER INFORMATION

Location details

Modena, 41122 - Italy 

Dealer details

Palfinger Platforms Italy

Dealer E-mail

info@palfingerplatformsitaly.it

Dealer phone

059252426

Availability

Available

Product type

New

Contract number

44170168

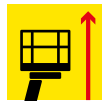
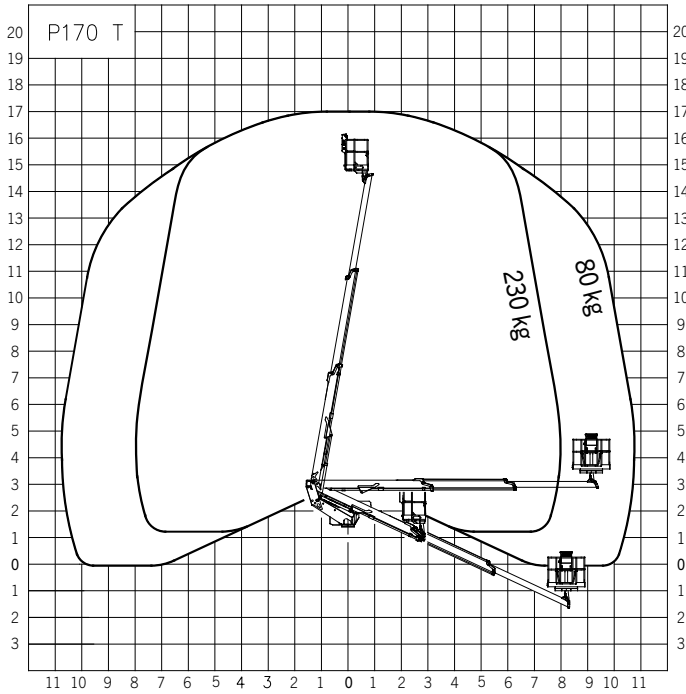
PRODUCT

| | | | |
|--------------------------|-------------|----------------------------|----------------|
| Manufacturer | PALFINGER | Max. height of work | 17,0 m |
| Model | P 170 T KIT | Turret rotation | 370° |
| Order number | 44170168 | Basket size | 1,4x0,85x1,1 m |
| Construction year | 2021 | Basket capacity | 250 kg |
| Outreach | 10,8 m | Basket material | alu |

P 170 T SMART

KIT





17,00 m



10,80 m



230 kg



1,4x0,85x1,1 m



Idrraulici
hydraulisch
Hydraulic
Hidráulicos



90° + 90°



370°



870 kg

