

ETC MH 37 IH - Insulated Articulated Telescopic
Chevrolet 2020 Chevrolet 6500HD Diesel 4x4



(Demo)
CHEVROLET

ETC MH 37 IH - INSULATED ARTICULATED TELESCOPIC 2020 CHEVROLET 6500HD DIESEL 4X4 (DEMO)

STOCK NUMBER: D2018553

BUCKET TRUCK


AVAILABLE

MATERIAL HANDLER



OFFER INFORMATION

Location details

341 NW 122nd Street, Oklahoma City, OK, 73114 -
United States 

Dealer details

ETI - Austin Rycroft

Dealer E-mail

arycroft@etiequipment.com

Dealer phone

+1-405-748-3841

Availability

Available

Product type

Bucket Truck

Stock number

D2018553

\$138,000.00

(Demo)

AERIAL UNIT DETAILS

BODY DETAILS

- 42 ft Working Height
- 27'-5" ft Side Reach
- Insulated Boom
- Articulated-Telescopic
- Full Hydraulics Controls
- 180 Degree Platform Rotator
- 24 x 30 Platform
- Hydraulic Jib Winch

- ETI Steel Service Bed
- 132 in Length + 36 in Tail shelf
- 60 Galvanneal Steel material
- Stainless Latches
- Master lock system for all doors
- LED Lighting
- Non Skid coating on walking surfaces
- CS Tail shelf Side Entry

CHASSIS DETAILS

- 2020 Chevrolet 6500 HD
- Duramax 6.6L Turbo-Diesel V8
- Automatic Transmission
- 4x4

ETC MH37 IH

ARTICULATED / TELESCOPIC
INSULATED MATERIAL HANDLING



INSULATED VERSATILITY

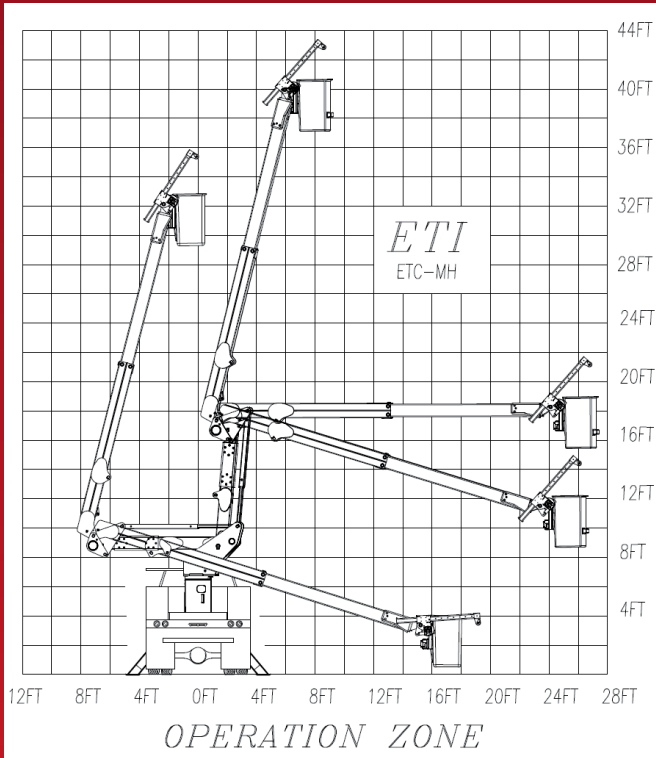
The ETC37MH is a versatile insulated unit that is well suited to those customers in need of an aerial unit that can offer powerful capabilities. With an articulating and telescoping aerial lift that reaches a height of 37' to the bottom of the bucket, this unit has a standard option continuous rotation allowing for unrestricted rotation. This model also offers material handling capabilities with a hydraulic winch and a 5' jib that can lift up to 1,000 lbs. utilizing the full 27 ft - 5 in. of hydraulic reach.



DEPEND ON IT.



ETC MH 37 IH



**EQUIPMENT TECHNOLOGY LLC
IS A FULL SERVICE SOLUTION
PROVIDER OF THE HIGHEST
QUALITY DESIGN,
MANUFACTURING, AND POST
SALE SERVICE.**

EQUIPMENT TECHNOLOGY LLC

341 NW 122nd
Oklahoma City, OK 73114
Toll-Free: 1-888-748-3841 • Fax: 1-405-755-6829
etiequipment.com

GENERAL SPECIFICATIONS*

Height to bottom of bucket.....	37ft.-0in.
Working height.....	42ft.-0in.
Sidereach, Endmount.....	27ft.-5in.
Rotation.....	Continuous
Lower boom articulation.....	0° to 95°
Upper boom travel.....	-17° to 76°
Stow height.....	10ft.-2in.
Rated bucket capacity.....	400lbs.

MINIMUM VEHICLE SPECIFICATIONS

- GVWR.....19,500lbs.
- C.A.....84in.

STANDARD FEATURES

- Continuous rotation is standard providing unrestricted rotation.
- Lower boom compensating link.
- Full pressure hydraulic controls located at platform and turret with full feathering capabilities from upper and lower controls.
- Hydraulic leveling via master/slave system providing a bucket dump for clean out and operator rescue.
- Shear ball rotation gear driven by external drive gear box. The gear box has an extended hex shaft for manual rotation.
- Internally mounted holding valve (integral part of cylinder) locks cylinder in place in event of hydraulic failure.
- All pins turn on replaceable composite bushings.
- Inner boom extend with double acting hydraulic cylinder for safety and performance.
- 90 Degree bucket rotator
- Single handle hydraulic control at basket.
- Fiberglass upper boom, fiberglass insert on lower boom.
- 24" x 30" Basket
- 2 sets of outriggers
- Outrigger/boom interlock
- 400lbs. Bucket capacity
- Hydraulic winch & 5ft jib—up to 1000lbs. material handling

OPTIONS

- Engine start/stop at bucket
- Emergency hydraulic power (12VDC)
- Hydraulic tool circuit
- Bucket liner
- Bucket cover
- Hydraulic jib extension



Specifications are subject to change without notice
Note (*): All specifications are based on 40" frame height