

ETC 37 IH - Insulated Articulated Telescopic Ford

2021 F-550 Diesel 4x4



FORD

## ETC 37 IH - INSULATED ARTICULATED TELESCOPIC 2021 F-550 DIESEL 4X4

BUCKET TRUCK

ARRIVING SOON



### OFFER INFORMATION

Location details

341 NW 122nd Street, Oklahoma City, OK, 73114 -

United States 

Dealer details

ETI - Austin Rycroft

Dealer E-mail

[arycroft@etiequipment.com](mailto:arycroft@etiequipment.com)

Dealer phone

[+1-405-748-3841](tel:+14057483841)

Product type

Bucket Truck

### AERIAL UNIT DETAILS

- 42 ft Working Height
- 27'-5" ft Side Reach
- Insulated Boom
- Articulated-Telescopic
- Full Hydraulics Controls
- 180 Degree Platform Rotator
- 24 x 30 Platform

### BODY DETAILS

- ETI Steel Service Bed
- 108 in Length + 36 in Tail shelf
- 60 Galvanneal Steel material
- Stainless Latches
- Master lock system for all doors
- LED Lighting
- Non Skid coating on walking surfaces
- CS Tail shelf Side Entry

### CHASSIS DETAILS

- 2021 Ford F-550
- 6.7 Liter Diesel Engine
- Automatic Transmission
- 4x4
- AM/FM/CD Radio

# ETC 37 IH

## ARTICULATED / TELESCOPIC INSULATED



### INSULATED VERSATILITY

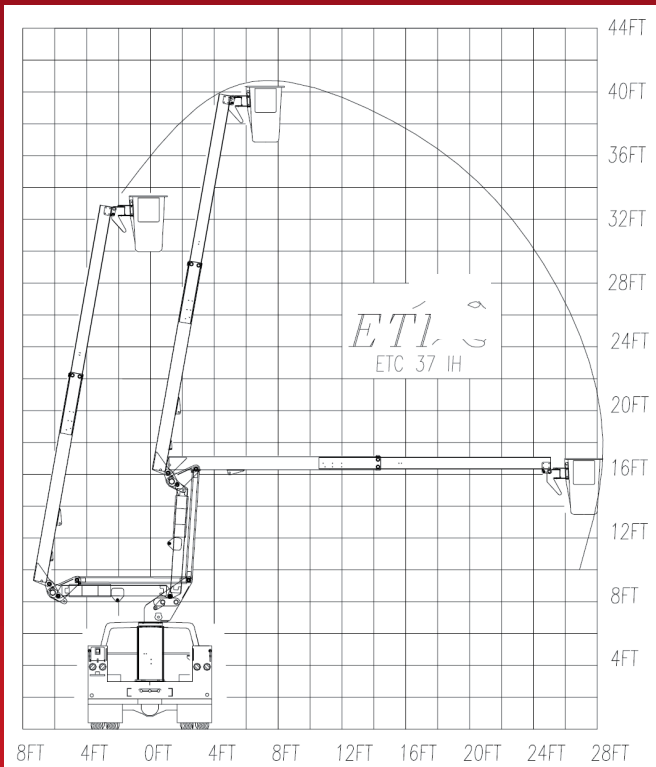
This ETC model is one of the most popular products offered by ETI and with good reason. The ETC 37 IH is an insulated unit that offers an articulating and telescoping aerial with a working height of 42 feet. Its many standard options include boom tip covers, single handle controls, continuous rotation, full pressure hydraulic controls, emergency lowering valve and more. It can be fully customized to a customer's individual need by adding a host of options including increased bucket capacity, tool circuit, outriggers and others. This model is built to satisfy customer demand for power, reach, and innovative design.



DEPEND ON IT.



# ETC37 IH



**EQUIPMENT TECHNOLOGY LLC IS A FULL SERVICE SOLUTION PROVIDER OF THE HIGHEST QUALITY DESIGN, MANUFACTURING, AND POST SALE SERVICE.**

## EQUIPMENT TECHNOLOGY LLC

341 NW 122nd  
 Oklahoma City, OK 73114  
 Toll-Free: 1-888-748-3841 • Fax: 1-405-755-6829  
[etiequipment.com](http://etiequipment.com)

### GENERAL SPECIFICATIONS\*

Height to bottom of bucket.....	37ft.-1in.
Working height.....	42ft.-1in.
Sidereach, Endmount.....	28ft.-0in.
Rotation.....	Continuous
Lower boom articulation.....	0° to 93°
Upper boom travel.....	-17° to 75°
Rated bucket capacity.....	350lbs.

### MINIMUM VEHICLE SPECIFICATIONS

- GVWR..... 16,000lbs.
- C.A..... 60in.

### STANDARD FEATURES

- Boom tip covers.
- Single handle control.
- Continuous rotation is standard on all ETC units providing unrestricted rotation.
- Lower boom compensating link.
- Full pressure hydraulic controls located at basket and turret with full feathering capabilities from both upper and lower controls.
- Hydraulic leveling via master/slave system providing a bucket dump for clean out and operator rescue.
- Shear ball rotation gear driven by external drive gear box. Gear box has an extended shaft for manual rotation.
- Internally mounted holding valve (integral part of cylinder) locks cylinder in place in event of hydraulic failure.
- All pins turn on replaceable bushings.
- Inner boom extends with double acting hydraulic cylinder for safety and performance.
- Emergency lowering valve.

### Hydraulic System

- Operating pressure (min)..... 2,250psi.
- Operating volume..... 5gpm

### OPTIONS

- Emergency hydraulic power (12VDC)
- Engine start/stop at bucket
- Hydraulic tool circuit
- Two speed throttle
- Bucket liner
- Bucket cover
- Lower boom and compensating link inserts
- Oversized bucket (24" x 30" x 42")
- Hydraulic bucket rotator
- Outriggers
- APU - Axillary power unit to operate aerial unit & heat/cool cab
- Various DC power options including cab comfort

Specifications are subject to change without notice  
 Note (\*): All specifications are based on 40" frame height