

MAN

**PK 92002 SH**

**TGS 35.520 8X4H-6 BL**

CONTRACT NUMBER: PALDRIVE 419

NEW

AVAILABLE



## SPECIFICATION

### Crane: PK 92002 SH

- Hydraulic 7-fold extension
- High-speed extension system with return oil recovery
- Swivel range endless
- Hydraulic support leg extension (max. support width 8.600 mm)
- Additional hydraulic support (support width ca. 8.500 mm)
- Support legs can be swiveled hydraulically through 180 °
- Paltronic 150
- HPSC + LOAD
- Palcom P7 radio remote control/ 9 functions with cross levers

## OFFER INFORMATION

Location details

MCC-NORTH SOLEC, 86-050 - Poland 

Dealer Name

Palfinger EMEA GmbH PL



Availability

Available

Product type

New

Contract number

Paldrive 419

Dealer E-mail

[sales@palfinger.com](mailto:sales@palfinger.com)

Dealer phone

**004366488345792**

- Painting RAL3020
- Working lights on the articulated arm and on the fly-Jib
- Hose equipment for two additional devices including quick coupling (multi-faster)
- 3,5to- cable winch on the main arm (hydr. foldable)
- cable length: 90m
- Synchron control rope winch (SRC)
- 8to + 25to load hook

**Accessory: PJ170E (additional knuckle arm)**

- Hydraulic 6-fold extension
- Can be folded upwards hydraulically by 25 °
- Applications with additional devices possible (e.g. gripper, rotator ...)  
including quick coupling (multi-faster)
- Preparation for EN280- workman basket operation

**Platform:**

- Inner dimensions: 2.480 x 5.350 mm
- Multifunctional front wall with pole depot and gallery top for chains and belts
- Front wall: height 1.760 mm
- Platform with many lashing points + 45° platform border profile
- Side- and rearwalls: height 400 mm
- Platform floor 27 mm plywood, impregnated and sealed

- Two pair of JOST container locking devices for ISO-containers

Manually extendable to the side to approx. 3.000 mm

- inclusive removable toolbox (locked on the Container locks) for tools, lifting equipment, rope winch equipment etc. etc.

**Chassis: MAN TGS 35.520 8x4H-6BL**

- 520 HP , max. 2.650Nm
- Automatic drive, MAN TipMatic 12.28 OD
- Leaf suspension on front axles, air suspension on rear axles
- Fuel tank 390l / AD-Blue tank 35l
- Tyres rear axle 315/80R22,5
- Tyres front axle 385/65R22.5
- Cabin colour: RAL9016 traffic white / chassis colour: RAL9011 graphite black

**PRODUCT**

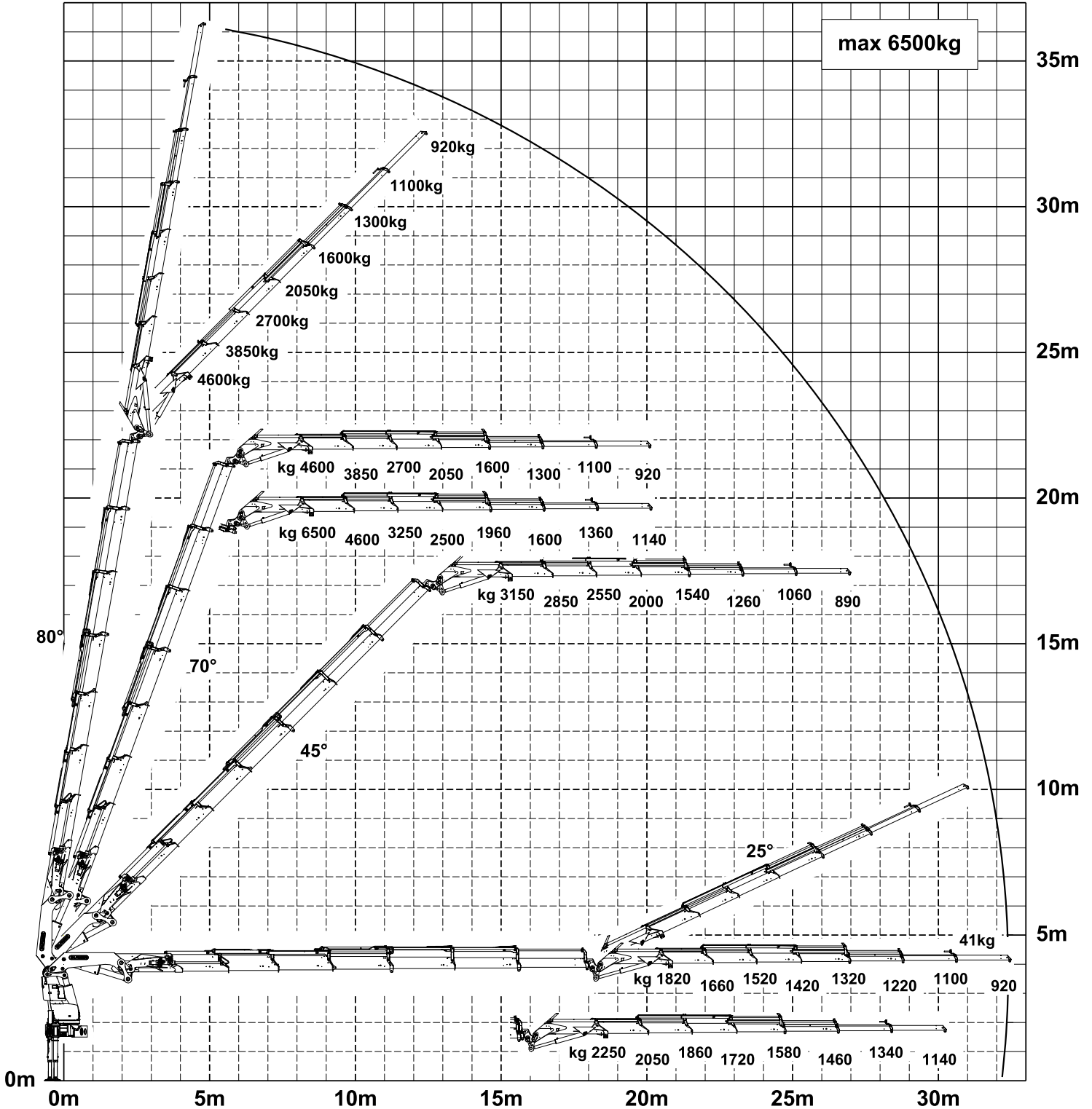
|                          |             |                                 |                   |
|--------------------------|-------------|---------------------------------|-------------------|
| <b>Manufacturer</b>      | Palfinger   | <b>Lifting moment</b>           | 85,5 mt           |
| <b>Model</b>             | PK 92002 SH | <b>Outreach / Lifting power</b> | 30,5 m / 1.100 kg |
| <b>Construction year</b> | 2023        | <b>Max outreach</b>             | 30,5 m            |

**TRUCK**

|                           |                       |                             |                  |
|---------------------------|-----------------------|-----------------------------|------------------|
| <b>Truck manufacturer</b> | MAN                   | <b>Axes</b>                 | 8x4              |
| <b>Construction year</b>  | 2023                  | <b>Gross vehicle weight</b> | 32.000 kg        |
| <b>Drivers cabine</b>     | TM                    | <b>Dead weight</b>          | 27.900 Kg        |
| <b>Wheel base</b>         | 1795 + 2980 + 1350 mm | <b>Payload</b>              | 4.100 Kg         |
| <b>Power</b>              | 520 PS                | <b>Payload category</b>     | <6t              |
| <b>Emmission standard</b> | EURO6e                | <b>Construction</b>         | Heavy duty crane |

Konstruktionsänderungen vorbehalten, fertigungstechn. Toleranzen müssen berücksichtigt werden.

**DPS** plus  
Dual Power System



Die Tragkräfte laut Diagramm verringern sich bei Verwendung von mechanischen Verlängerungen um deren Eigengewicht.  
Krandarstellung symbolisch, Angaben bei 20° Hauptarmstellung & Lastarm horizontal



Zulässige Traglasten für Seilwinde siehe Datenblatt  
Seite 020.31100 2.5t      Seite 020.32100 3.5t

**PK 92002 SH**

# **COPE WITH HEAVY-DUTY ASSIGNMENTS JUST AS EASILY AS WITH DELICATE INSTALLATIONS**

**LIFETIME EXCELLENCE**



# LIFETIME EXCELLENCE

PALFINGER loader cranes are convincing due to their superior life-cycle performance. They are the most economical and also the most reliable over the entire product life. From solution finding to resale.

- **Better solutions**
- **Better efficiency**
- **Better ergonomics**
- **Higher availability**
- **More reliability**
- **Better ecology**
- **Higher serviceability**
- **Higher value retention**





# OFFERS NUMEROUS COMFORT AND SAFETY FEATURES

- Maximum utilisation of the working range due to HPSC
- More lifting power due to S-HPLS
- High user friendliness due to radio remote control
- Perfect appearance and extremely high value retention thanks to coating technology
- More variety due to fly-jib





# PERFECT TOOL WITH SOPHISTICATED KINEMATICS

## 12 Highlights



### Continuous slewing system

Unrestricted movement

More efficient in operation due to faster loading cycles, since the crane can be slewed over a shorter distance. The crane works more efficiently and faster.



### Power Link Plus

High variety of uses

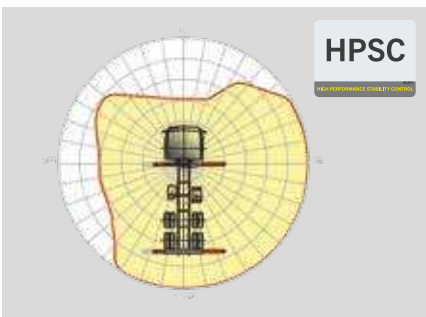
With the 12-degree reverse linkage system, you can reach through low door openings and also work inside buildings. Heavy crane work – even in difficult conditions.



### Low-maintenance extension system

Reduces service time

With sliding elements made of synthetic material and the high-quality KTL coating, this boom system significantly simplifies service performed by the operator. This saves time and money – and protects the environment.



### HPSC

Maximum utilisation of the working range

The variable stabiliser positioning of the High Performance Stability Control System makes it possible to utilise the lifting capacity to the maximum. It enables working within tight spaces.



### S-HPLS

More lifting power when it is really needed

S-HPLS is one of the most important functions of the PALTRONIC 150. It is a fully automatic system for increasing the lifting power. Depending on the need, there is continuous adaptation of the lifting power and speed of the crane.



### PALcom P7

Communication with the operator

The new PALcom P7 features a modern, ergonomic design. The centrally located knob „PALdrive“ and a large colour display enables easy and safe operation.



**Power Link cable winch**

More comfort in cable winch operation

Characterised by low installation height, it is ideal for working inside buildings and transports with the crane boom unfolded. The Comfort Cable Routing reduces set-up times to a minimum.



**Functional design**

Practical and attractive

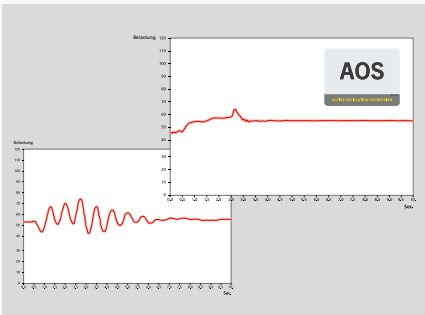
Robust plastic covers protect crane parts against dirt and damage. Better appearance and increased operational comfort – during the entire lifetime.



**Coating technology**

Top quality surface protection at a glance

The KTL coating lays the foundation for a perfect surface protection. Afterwards the components are either coated in the powder-coating facility or are finished with a two-components-topcoat. High value retention and excellent corrosion protection for the whole life of a crane.



**AOS**

Maximum precision and safety

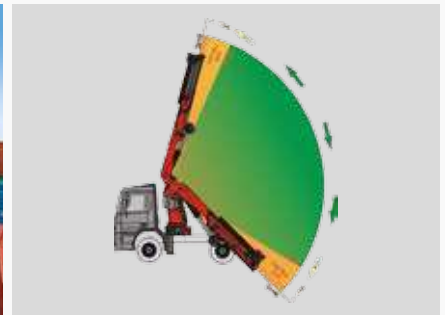
The active oscillation suppression system prevents „post-oscillation“ in the event of rapid braking or load changes. The stress peaks on the extension boom system are reduced and material fatigue and wear are minimised. This increases the resale value.



**DPS Plus**

More efficient fly-jib operation

The Dual Power System allows multiple uses of the crane both for large outreaches as well as for heavy load operation.



**Soft Stop function**

More comfort and safety

The Soft Stop function is an electronic limit position damper. It causes gentle braking of all crane movements before the limit position is reached. Hence, jerky movements and load impacts can be avoided. The crane can be operated more gently and precisely.



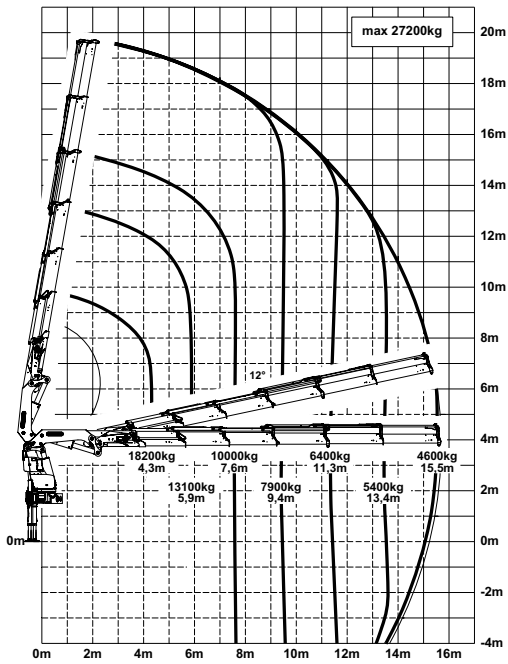
\*Optional features / country-specific equipment

PK 92002 SH

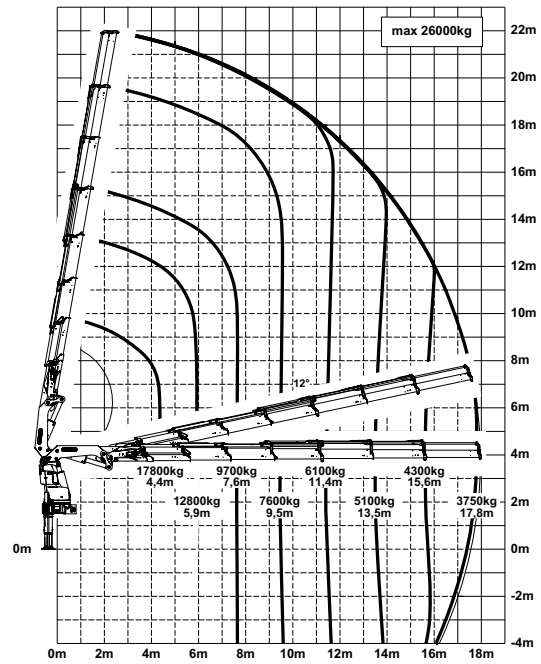
# HIGH PERFORMANCE

More lifting power when it is really needed.

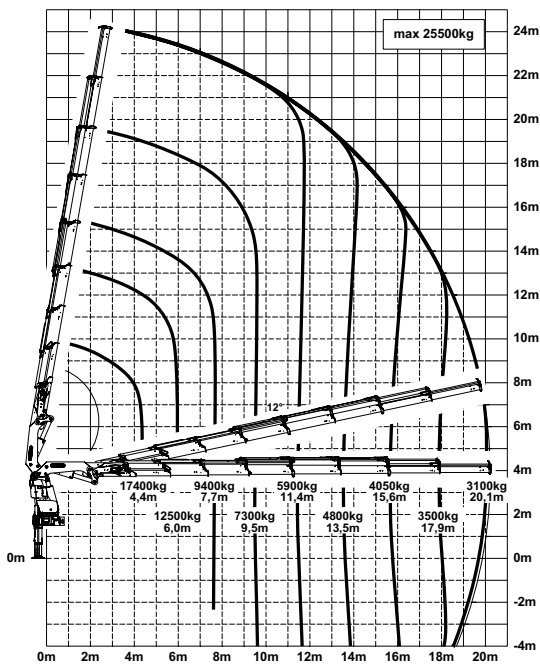
E



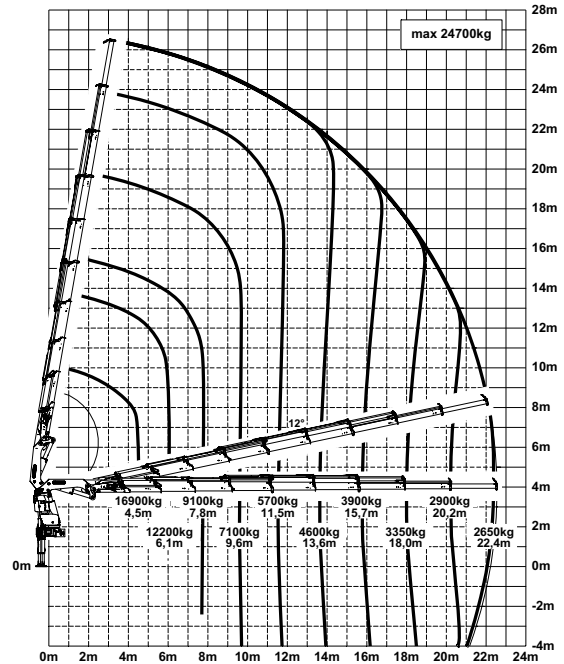
F



G



H



The outreaches stated are with a boom angle of 20° and are therefore not the maximum.

## Lifting capacities

| max.  |         | 30000 kg | 66200 lbs | A |
|-------|---------|----------|-----------|---|
| 4.0 m | 13' 1"  | 20500 kg | 45200 lbs |   |
| 5.6 m | 18' 4"  | 15000 kg | 33000 lbs |   |
| 7.3 m | 23' 11" | 11600 kg | 25600 lbs |   |

| max.  |         | 29800 kg | 65700 lbs | B |
|-------|---------|----------|-----------|---|
| 4.1 m | 13' 5"  | 20100 kg | 44200 lbs |   |
| 5.6 m | 18' 4"  | 14600 kg | 32100 lbs |   |
| 7.3 m | 23' 11" | 11200 kg | 24800 lbs |   |
| 9.1 m | 29' 10" | 9000 kg  | 19900 lbs |   |

| max.   |        | 29000 kg | 64000 lbs | C |
|--------|--------|----------|-----------|---|
| 4.1 m  | 13' 5" | 19400 kg | 42700 lbs |   |
| 5.7 m  | 18' 8" | 14100 kg | 31000 lbs |   |
| 7.4 m  | 24' 3" | 10800 kg | 23800 lbs |   |
| 9.2 m  | 30' 2" | 8600 kg  | 19000 lbs |   |
| 11.1 m | 36' 5" | 7100 kg  | 15700 lbs |   |

| max.   |        | 27800 kg | 61300 lbs | D |
|--------|--------|----------|-----------|---|
| 4.2 m  | 13' 9" | 18800 kg | 41300 lbs |   |
| 5.8 m  | 19' 0" | 13600 kg | 29900 lbs |   |
| 7.5 m  | 24' 7" | 10400 kg | 22900 lbs |   |
| 9.3 m  | 30' 6" | 8200 kg  | 18100 lbs |   |
| 11.2 m | 36' 9" | 6800 kg  | 14900 lbs |   |
| 13.3 m | 43' 8" | 5700 kg  | 12500 lbs |   |

| max.   |         | 27200 kg | 60000 lbs | E |
|--------|---------|----------|-----------|---|
| 4.3 m  | 14' 1"  | 18200 kg | 40000 lbs |   |
| 5.9 m  | 19' 4"  | 13100 kg | 28900 lbs |   |
| 7.6 m  | 24' 11" | 10000 kg | 22000 lbs |   |
| 9.4 m  | 30' 10" | 7900 kg  | 17300 lbs |   |
| 11.3 m | 37' 1"  | 6400 kg  | 14100 lbs |   |
| 13.4 m | 43' 12" | 5400 kg  | 11800 lbs |   |
| 15.5 m | 50' 10" | 4600 kg  | 10200 lbs |   |

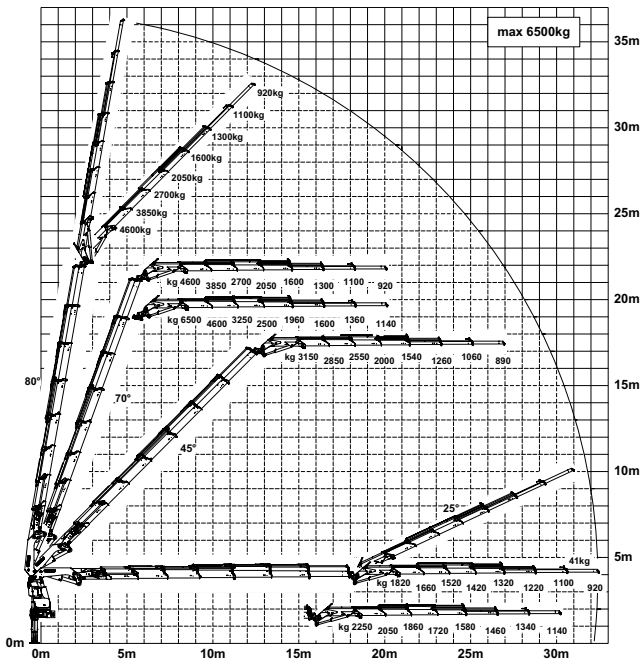
| max.   |         | 26000 kg | 57300 lbs | F |
|--------|---------|----------|-----------|---|
| 4.4 m  | 14' 5"  | 17800 kg | 39100 lbs |   |
| 5.9 m  | 19' 4"  | 12800 kg | 28200 lbs |   |
| 7.6 m  | 24' 11" | 9700 kg  | 21300 lbs |   |
| 9.5 m  | 31' 2"  | 7600 kg  | 16700 lbs |   |
| 11.4 m | 37' 5"  | 6100 kg  | 13500 lbs |   |
| 13.5 m | 44' 3"  | 5100 kg  | 11200 lbs |   |
| 15.6 m | 51' 2"  | 4300 kg  | 9500 lbs  |   |
| 17.8 m | 58' 5"  | 3750 kg  | 8300 lbs  |   |

| max.   |         | 25500 kg | 56200 lbs | G |
|--------|---------|----------|-----------|---|
| 4.4 m  | 14' 5"  | 17400 kg | 38400 lbs |   |
| 6.0 m  | 19' 8"  | 12500 kg | 27600 lbs |   |
| 7.7 m  | 25' 3"  | 9400 kg  | 20700 lbs |   |
| 9.5 m  | 31' 2"  | 7300 kg  | 16100 lbs |   |
| 11.4 m | 37' 5"  | 5900 kg  | 13000 lbs |   |
| 13.5 m | 44' 3"  | 4800 kg  | 10600 lbs |   |
| 15.6 m | 51' 2"  | 4050 kg  | 9000 lbs  |   |
| 17.9 m | 58' 9"  | 3500 kg  | 7800 lbs  |   |
| 20.1 m | 65' 11" | 3100 kg  | 6900 lbs  |   |

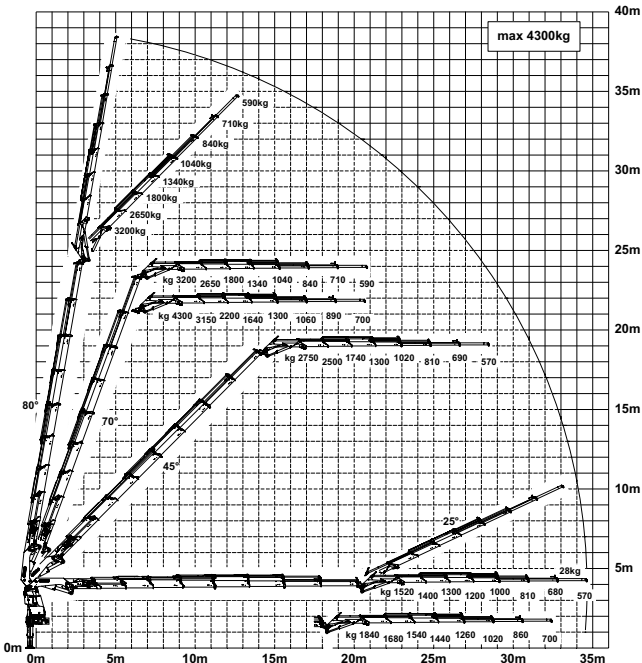
| max.    |        | 24700 kg | 54500 lbs | H |
|---------|--------|----------|-----------|---|
| 4.5 m   | 14' 9" | 16900 kg | 37300 lbs |   |
| 6.1 m   | 20' 0" | 12200 kg | 26800 lbs |   |
| 7.8 m   | 25' 7" | 9100 kg  | 20100 lbs |   |
| 9.6 m   | 31' 6" | 7100 kg  | 15600 lbs |   |
| 11.5 m  | 37' 9" | 5700 kg  | 12500 lbs |   |
| 13.6 m  | 44' 7" | 4600 kg  | 10200 lbs |   |
| 15.7 m  | 51' 6" | 3900 kg  | 8500 lbs  |   |
| 18.0 m  | 59' 1" | 3350 kg  | 7300 lbs  |   |
| 20.2 m  | 66' 3" | 2900 kg  | 6400 lbs  |   |
| 22.4 m  | 73' 6" | 2650 kg  | 5800 lbs  |   |
| 24.9 m* | 81' 8" | 2100 kg  | 4650 lbs  |   |

\*mechanical extension

### F PJ170E JV1 DPS PLUS



### G PJ125E JV1 DPS PLUS

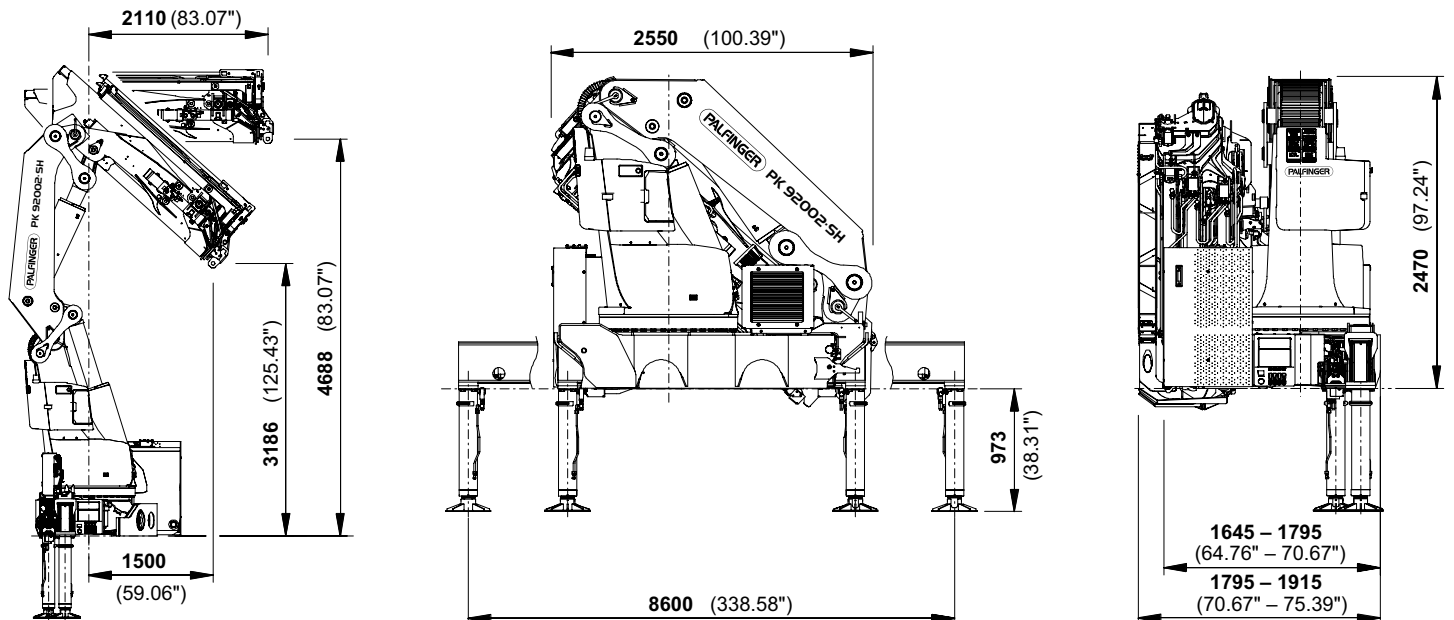


# PERFECT DIMENSIONS

## EXTENSION BOOM VARIATIONS



## DIMENSIONS



## Technical specifications

EN 12999 HC1 HD5/B3

### PK 92002 SH

|                              |                   |               |
|------------------------------|-------------------|---------------|
| Max. lifting moment          | 85.5 mt/838.8 kNm | 618620 ft.lbs |
| Max. lifting capacity        | 30000 kg/294.3 kN | 66200 lbs     |
| Max. hydraulic outreach      | 22.5 m            | 73' 10"       |
| Max. manual outreach         | 25.0 m            | 82' 0"        |
| Max. outreach (with fly-jib) | 34.6 m            | 113' 6"       |

### E PJ170E JV1

|                                    |                 |              |
|------------------------------------|-----------------|--------------|
| Slewing angle                      | endless         |              |
| Slewing torque                     | 7.7 mt/75.5 kNm | 55710 ft.lbs |
| Stabiliser spread                  | 8.6 m           | 28' 3"       |
| Fitting space required (min./max.) | 1.65 m/1.92 m   | 5' 5"/6' 3"  |
| Width folded                       | 2.55 m          | 8' 4"        |

### F PJ170E JV1 DPS Plus

|                           |                                |                                      |
|---------------------------|--------------------------------|--------------------------------------|
| Max. operating pressure   | 365 bar                        | 5293 psi                             |
| Recommended pump capacity | from 110 l/min<br>to 130 l/min | 29.1 US gal./min<br>34.3 US gal./min |
| Dead weight (std.)        | 6780 kg                        | 14950 lbs                            |

### G PJ125E JV1 DPS Plus





KP-HPK92002SM2+EN

Cranes shown in the leaflet are partially optional equipped and do not always correspond to the standard version. Country-specific regulations must be observed. Dimensions may vary. Subject to technical changes, errors and translation mistakes.