

MAN

PD143V

MAN TGE 6.180

AUFTRAGSNUMMER: 196002031

VORFÜHRER

AUF ANFRAGE



INFORMATIONEN ZUM ANGEBOT

Montage- & Besichtigungsstandort

Vorführungen, Deutschland 

Verkaufsabwicklung und Auslieferung durch Händler:

PALFINGER GmbH

Verfügbarkeit

Auf Anfrage

Produktzustand

Vorführer

Auftragsnummer

196002031

Kontaktperson

Tobias Zehentmeier

E-Mail

t.zehentmeier@palfinger.com

Telefonnummer

004986544774141

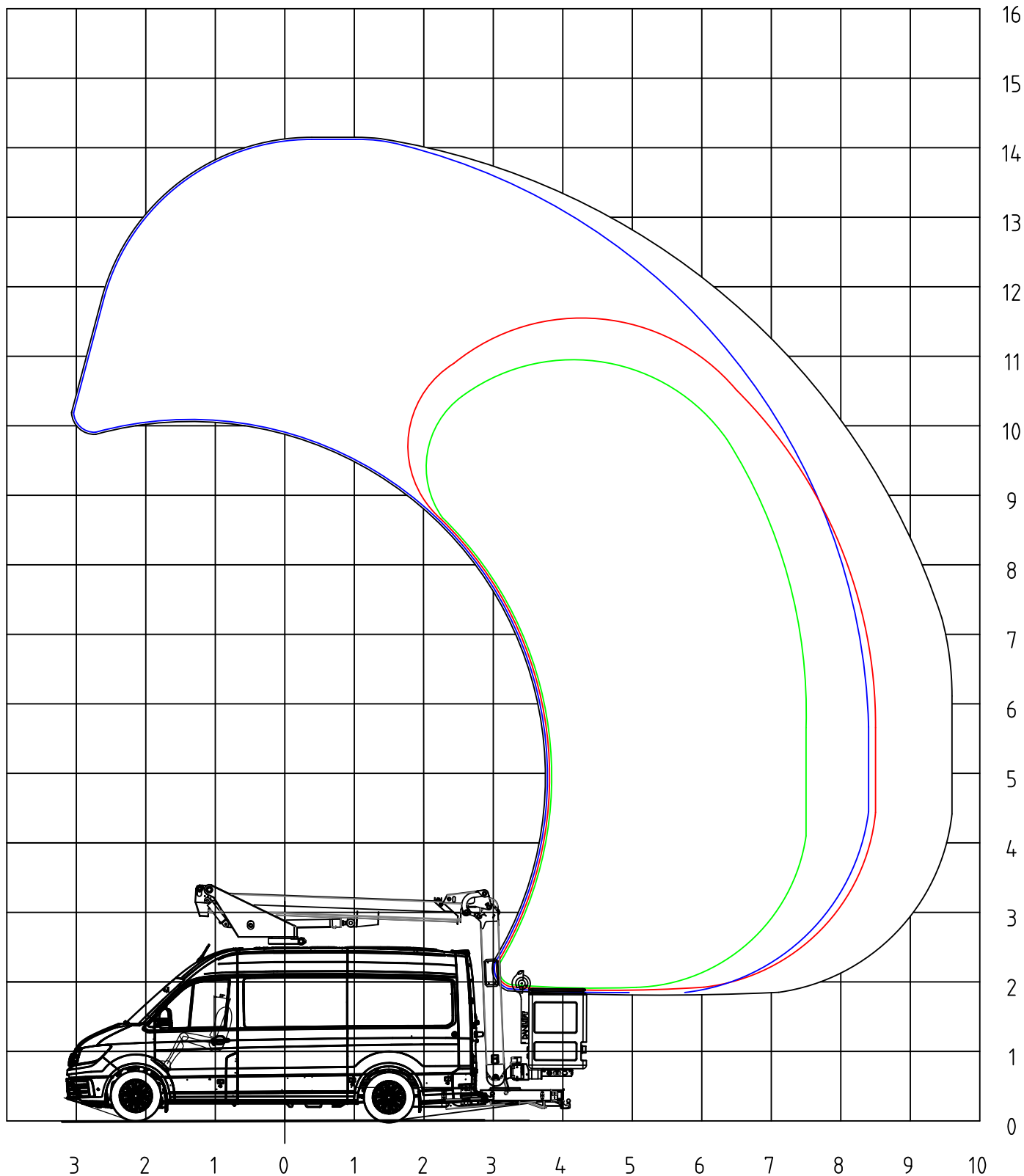
PRODUKT

Hersteller	Palfinger / Danilift DK	Arbeitshöhe	14,3m
Baujahr	2024	Drehbereich	2x230 g
Reichweite	9,7m	Korblast	265kg

FAHRZEUG

LKW Hersteller	MAN	Leistung	180PS
Fahrzeugtyp	TGE 6.180	Zulässiges Gesamtgewicht	5,5 to
Baujahr	2024	Erstzulassung	28.02.2024
Amtliches Kennzeichen	BGL-V231		

1 METER



WORKING WITH OUTRIGGERS, CAGE LOAD 100 KG

WORKING WITHOUT OUTRIGGERS, CAGE LOAD 100 KG

WORKING WITH OUTRIGGERS, CAGE LOAD 265 KG

WORKING WITHOUT OUTRIGGERS, CAGE LOAD 265 KG



PLATFORM: PALFINGER

TYPE: PD143V

EQUIPMENT:

DWG BY:

Henrik

DATE:

21.11.2018

REV:

21.11.2018

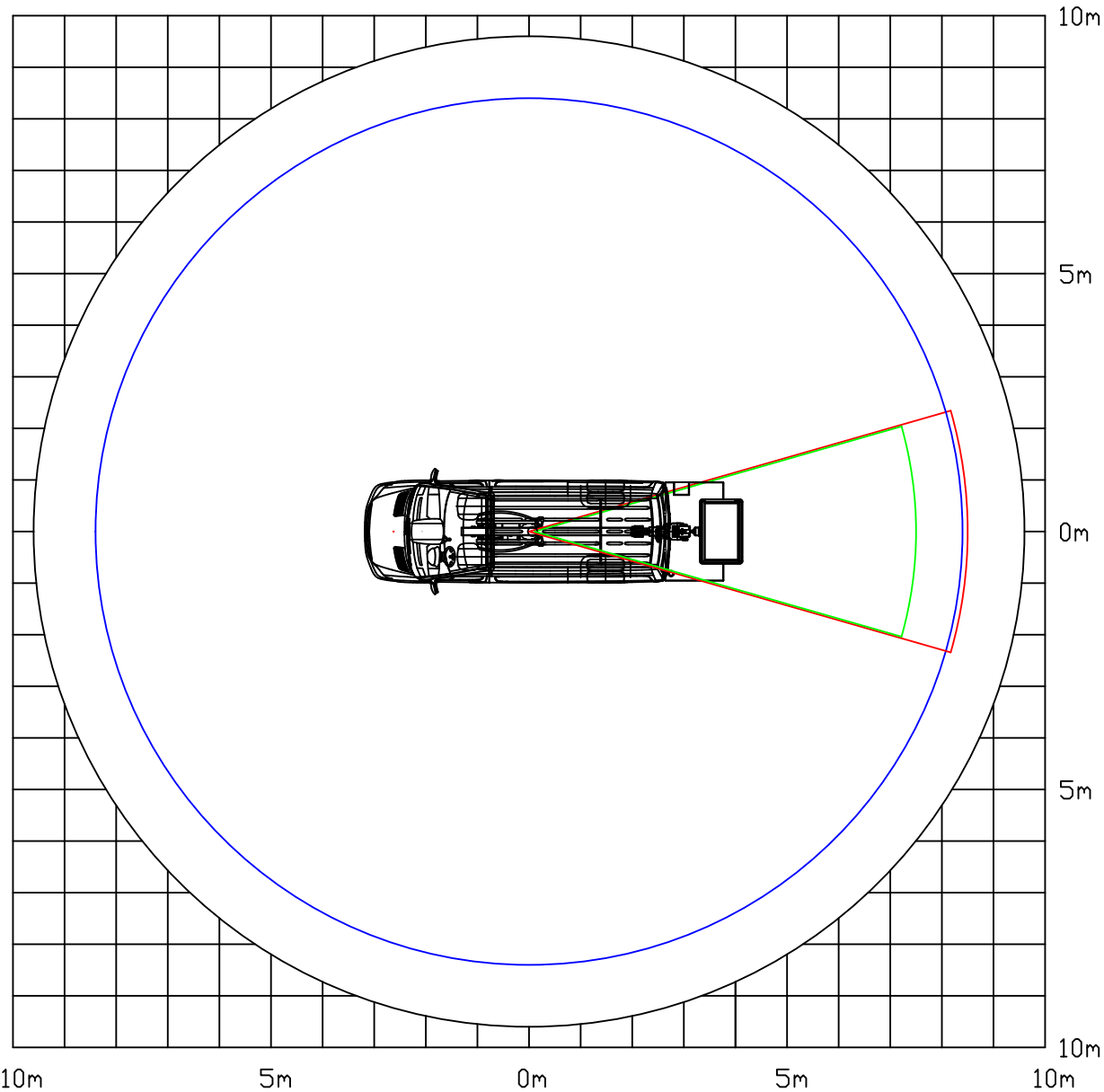
VEHICLE: MAN TGE

TYPE: 518

STABILAZER WIDTH:

DRAWING:

\\LIFTDATA\LEV. & IGANGV\ERENDE LIFTE\DANILIFT WDT-J SERIE & PD-V SERIE\PD143V\31143101 DEOM (MAN TGE)\02 - TEKNISK SPECIFIKATIONER\DRAWING 31143101



- WORKING WITH OUTRIGGERS, CAGE LOAD 100 KG
- WORKING WITH OUTRIGGERS, CAGE LOAD 265 KG
- WORKING WITHOUT OUTRIGGERS, CAGE LOAD 100 KG
- WORKING WITHOUT OUTRIGGERS, CAGE LOAD 230 KG



PLATFORM: PALFINGER **TYPE: PD143V**
VEHICLE: MAN TGE **TYPE: 518**

EQUIPMENT:

STABILAZER WIDTH:

DWG BY: Henrik	DATE: 20.11.2018	REV: 20.11.2018
DRAWING:		
<small>I:\LIFTDATA\LEV.& IGANGVÆRENDE LIFTE\DANILIFT WDT-J SERIE & PD-V SERIE\PD143V\31143101 DEOM (MAN TGE)\02 - TEKNISK SPECIFIKATIONER\DRAWING 31143101-W</small>		

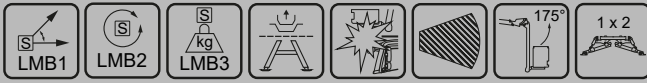


Medium Series PD143V

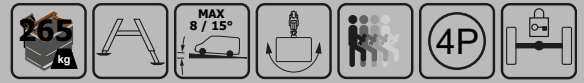
Telescopic platform with movable cage boom mounted on van or chassis



Standard features



Options



Technical specifications

Max. working height:	14.3 m
Max. outreach:	9.6 m
Cage load capacity:	230 kg
Total weight:	5500 kg
Payload capacity:	1000 kg
Platform rotation:	460°
Safe working angle:	2°/5°
Isolation:	1000V

Key features

The Medium Series is slightly more sturdy than the Light Series. The Medium Series platforms have sensors on all functions, making it possible to fully utilize the workspace. They come with a max. cage capacity of 265 kg. and have a 175° movable cage boom, and cage rotation of 2x80° is an option. The PD-series comes with a memory function for different settings as well and it has lots of possibilities when it comes to options.

Additional specifications:

Short wheelbase. 175° movable cage boom. OD-type outriggers. Electric/hydraulic control. Subframe and outriggers are galvanized. Home function. Operating without outriggers. Outriggers can be deployed even when the platform is not in transport position. Electronic cabin protection. Various flashlights. Ramp up/down functions on booms ensuring a long service life. Horizontal outreach is adjusted according to cage load - from 100 to 230/265 kg. We recommend a wheelbase of approx. 3500 to 3700 mm.

Images



The images in this literature may show options. Palfinger GMBH reserves the right to change technical information without notice.

Diagrams

