

MAN

**PD143V**

**MAN TGE 6.180**

AUFTRAGSNUMMER: 196002031

VORFÜHRER

AUF ANFRAGE



## INFORMATIONEN ZUM ANGEBOT

Montage- & Besichtigungsstandort

Vorführungen, Deutschland 

Verkaufsabwicklung und Auslieferung durch Händler:

PALFINGER GmbH

Verfügbarkeit

Auf Anfrage

Produktzustand

Vorführer

Auftragsnummer

196002031

Kontaktperson

Tobias Zehentmeier

E-Mail

[t.zehentmeier@palfinger.com](mailto:t.zehentmeier@palfinger.com)

Telefonnummer

**004986544774141**

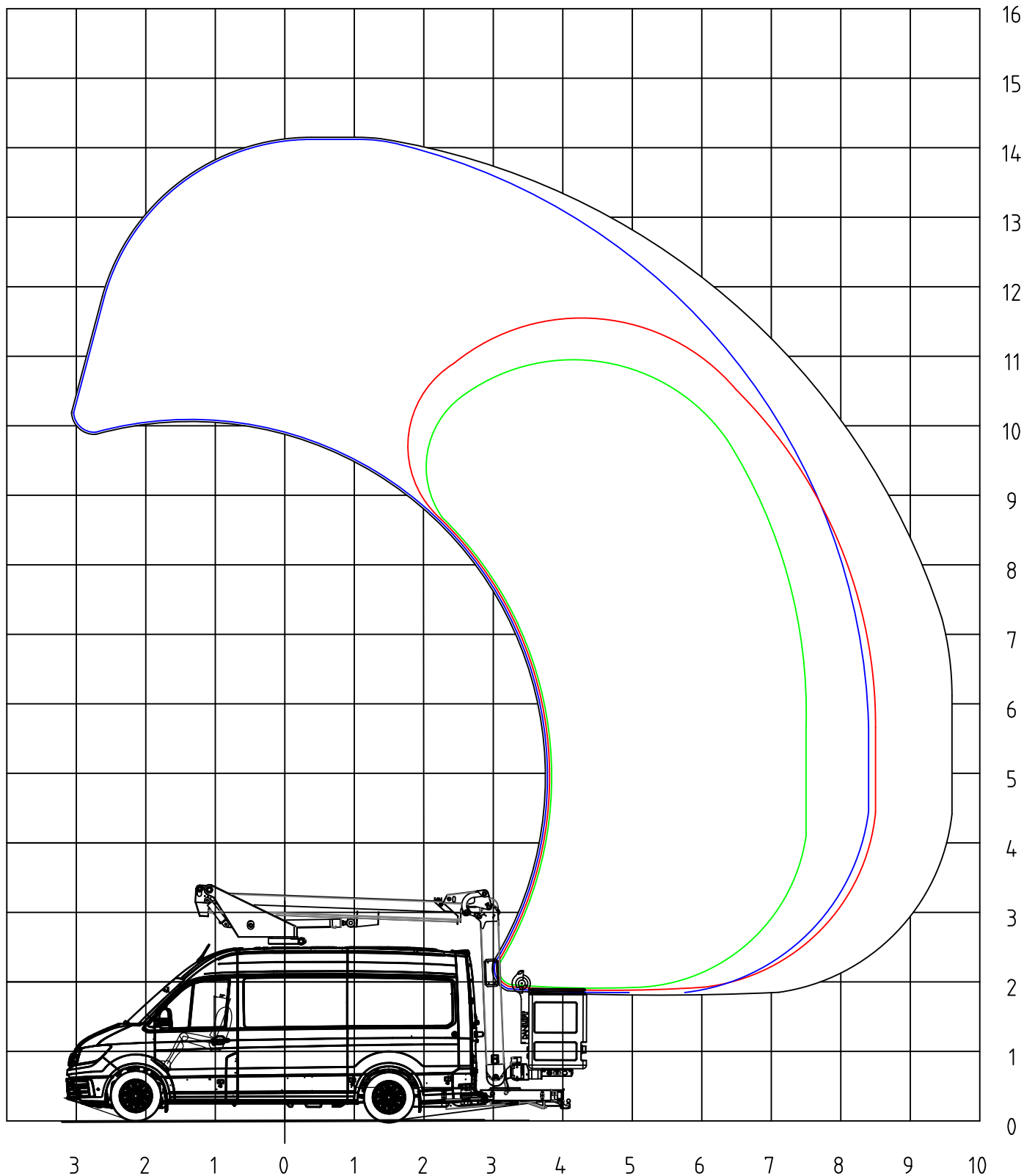
**PRODUKT**

<b>Hersteller</b>	Palfinger / Danilift DK	<b>Arbeitshöhe</b>	14,3m
<b>Baujahr</b>	2024	<b>Drehbereich</b>	2x230 g
<b>Reichweite</b>	9,7m	<b>Korblast</b>	265kg

**FAHRZEUG**

<b>LKW Hersteller</b>	MAN	<b>Leistung</b>	180PS
<b>Fahrzeugtyp</b>	TGE 6.180	<b>Zulässiges Gesamtgewicht</b>	5,5 to
<b>Baujahr</b>	2024	<b>Erstzulassung</b>	28.02.2024
<b>Amtliches Kennzeichen</b>	BGL-V231		

1 METER



WORKING WITH OUTRIGGERS, CAGE LOAD 100 KG

WORKING WITHOUT OUTRIGGERS, CAGE LOAD 100 KG

WORKING WITH OUTRIGGERS, CAGE LOAD 265 KG

WORKING WITHOUT OUTRIGGERS, CAGE LOAD 265 KG



PLATFORM: PALFINGER

TYPE: PD143V

EQUIPMENT:

----

DWG BY:

Henrik

DATE:

21.11.2018

REV:

21.11.2018

VEHICLE: MAN TGE

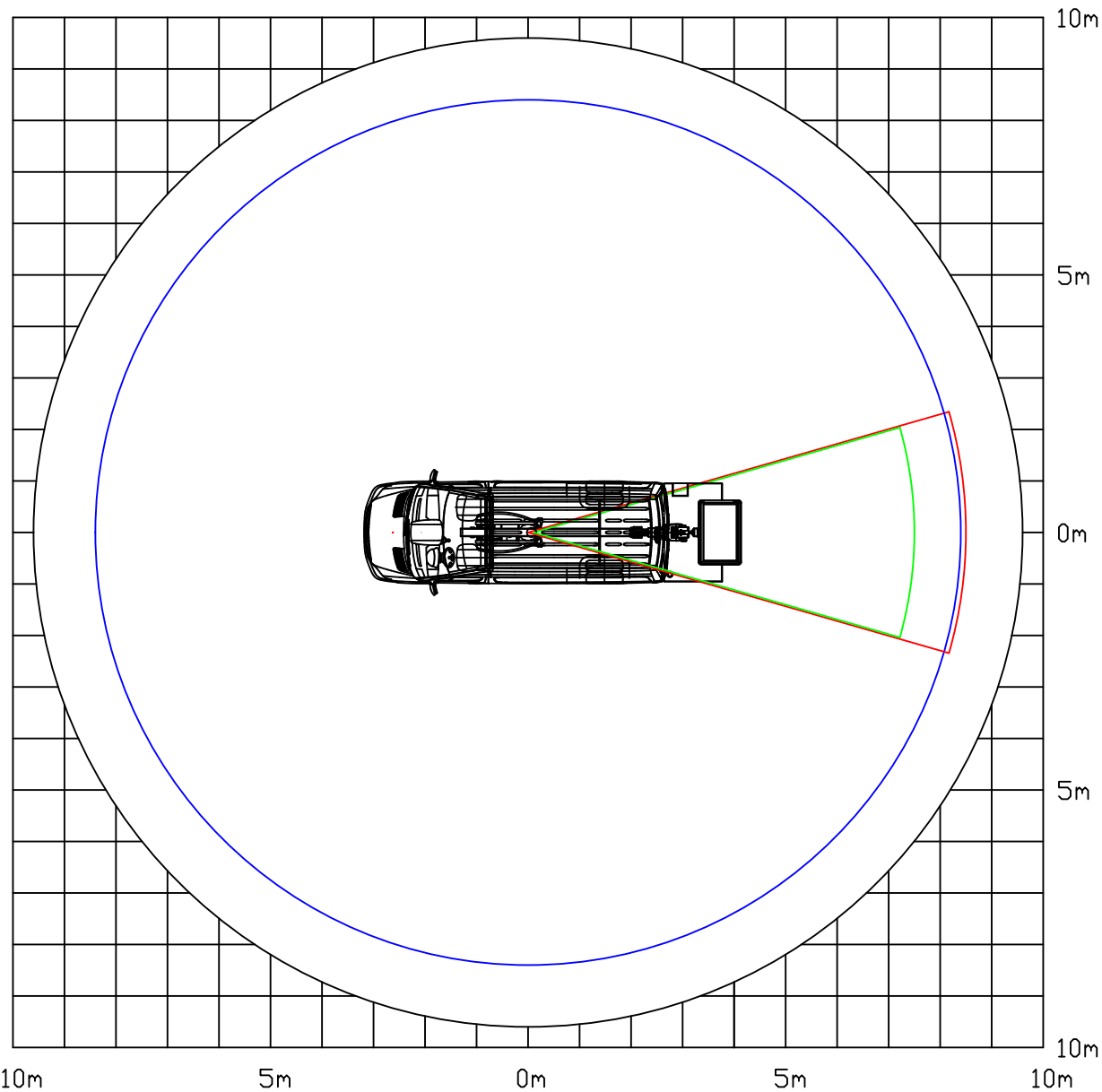
TYPE: 518

STABILAZER WIDTH:

----

DRAWING:

\\LIFTDATA\LEV. & IGANGV\ERENDE LIFTE\DANILIFT WDT-J SERIE & PD-V SERIE\PD143V\31143101 DEOM (MAN TGE)\02 - TEKNISK SPECIFIKATIONER\DRAWING 31143101



- WORKING WITH OUTRIGGERS, CAGE LOAD 100 KG
- WORKING WITH OUTRIGGERS, CAGE LOAD 265 KG
- WORKING WITHOUT OUTRIGGERS, CAGE LOAD 100 KG
- WORKING WITHOUT OUTRIGGERS, CAGE LOAD 230 KG



**PLATFORM: PALFINGER**      **TYPE: PD143V**  
**VEHICLE: MAN TGE**          **TYPE: 518**

**EQUIPMENT:**  
 ----  
**STABILAZER WIDTH:**  
 ----

<b>DWG BY:</b> Henrik	<b>DATE:</b> 20.11.2018	<b>REV:</b> 20.11.2018
<b>DRAWING:</b>		
<small>I:\LIFTDATA\LEV.&amp; IGANGVÆRENDE LIFTE\ DANILIFT WDT-J SERIE &amp; PD-V          SERIE\PD143V\31143101 DEOM (MAN TGE)\02 - TEKNISK SPECIFIKATIONER\          DRAWING 31143101-W</small>		

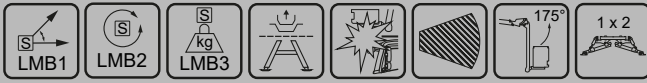


## Medium Series PD143V

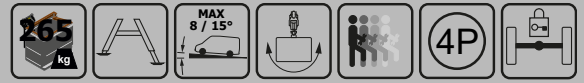
Telescopic platform with movable cage boom mounted on van or chassis



### Standard features



### Options



### Technical specifications

Max. working height:	14.3 m
Max. outreach:	9.6 m
Cage load capacity:	230 kg
Total weight:	5500 kg
Payload capacity:	1000 kg
Platform rotation:	460°
Safe working angle:	2°/5°
Isolation:	1000V

### Key features

The Medium Series is slightly more sturdy than the Light Series. The Medium Series platforms have sensors on all functions, making it possible to fully utilize the workspace. They come with a max. cage capacity of 265 kg. and have a 175° movable cage boom, and cage rotation of 2x80° is an option. The PD-series comes with a memory function for different settings as well and it has lots of possibilities when it comes to options.

#### Additional specifications:

Short wheelbase. 175° movable cage boom. OD-type outriggers. Electric/hydraulic control. Subframe and outriggers are galvanized. Home function. Operating without outriggers. Outriggers can be deployed even when the platform is not in transport position. Electronic cabin protection. Various flashlights. Ramp up/down functions on booms ensuring a long service life. Horizontal outreach is adjusted according to cage load - from 100 to 230/265 kg. We recommend a wheelbase of approx. 3500 to 3700 mm.

### Images



The images in this literature may show options. Palfinger GMBH reserves the right to change technical information without notice.

### Diagrams

