

MBB R 1500 SH / R 2000 LH

THE INTELLIGENT TAIL LIFT WITH HY- DRAULIC SUPPORT

LIFETIME EXCELLENCE



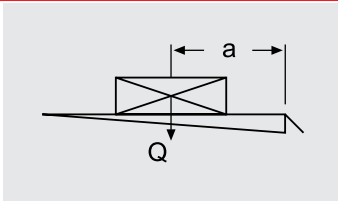
MBB R 1500 SH/ R 2000 LH

THE RETRACTABLE LIFT

MBB R 1500 SH / R 2000 LH

- 1500 kg / 2000 kg lifting capacity
- For vehicles with short overhangs and swap bodies
- Fully assembled / KTL finished lifting gear
- Platform package also serves as under-run bar
- User-friendly, programmable control
- Easy to operate

DIAGRAM



MBB R1500 SH		MBB R2000 LH	
a (mm)	Q (kg)	a (mm)	Q (kg)
1000	1500	750	2000
1200	1250	900	1650
1500	1000	1100	1300
1850	800	1600	950

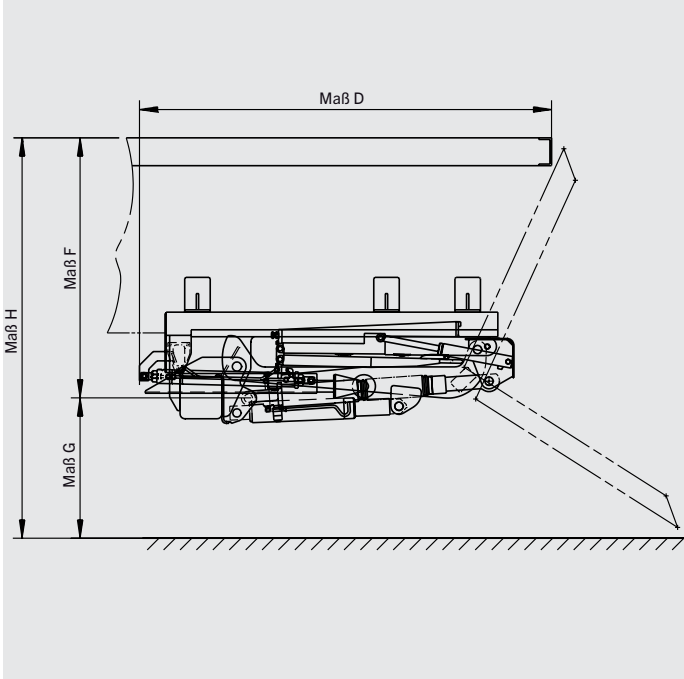
WEIGHT

Platform type	depth (mm)	width (mm)	weight (kg)
Alum.	1805	2300	527
Retraction unit			175

TECHNICAL DATA

	MBB R 1500 SH	MBB R 2000 LH
Lifting capacity	1500 kg	2000 kg
Main beam	180 x 180 mm	180 x 180 mm
Lifting gear hydraulics	2 x lift cylinder 2 x tilt cylinder	2 x lift cylinder 2 x tilt cylinder
	1 x moving cylinder 1 x folding cylinder	1 x moving cylinder 1 x folding cylinder
Lift arm pitch	1300 mm	1300 mm
Load centre - longitudinal	1000 mm	750 mm
Load centre - lateral	50 % of the full load on one side	50 % of the full load on one side
Inclination angle of the platform	+0° to +/- 10°	+0° to +/- 10°

DIMENSIONS



Lift arms (in mm)	1040
H (max.) loading height unloaded	1733
H (min.) loading height loaded	1054
F (max.) middle of main beam to upper edge of loading floor	1133
K (min.) at dimension F (max.)	536
D (min.) installation space	1560
F (min.)	714
K (max.) at dimension F (min.)	1006
G (max.) unloaded (middle of main beam to ground)	600
G (min.) loaded	340
E (max.) vehicle frame width (max.)	910
E (min.) vehicle frame width (min.)	645

PALFINGER Tail Lifts GmbH
 Fockestraße 53
 27777 Ganderkesee
 Deutschland
www.palfinger.com

