

MBB F 1000 SH/SX MBB F 1500 LH/LX

PALFINGER

LIFETIME EXCELLENCE



F 1000 SH / F 1500 LH

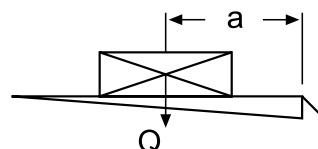
- ≥ The versatile fold-under tail lift
- ≥ 1,000/1,500 kg lifting capacity
- ≥ Proven four-cylinder design
- ≥ Three-piece underride guard for greater safety
- ≥ Hydraulic support for folding and unfolding
- ≥ Convenient "MBB CONTROL PLUS" control as standard
- ≥ Welded brackets for easy installation
- ≥ Optionally available with fixture for ball-head coupling

F 1000 SX / F 1500 LX

- ≥ See F 1000 SH / F 1500 LH
- ≥ Version without rear-end section optimal for refrigerated body applications thanks to adapted lifting arm contour

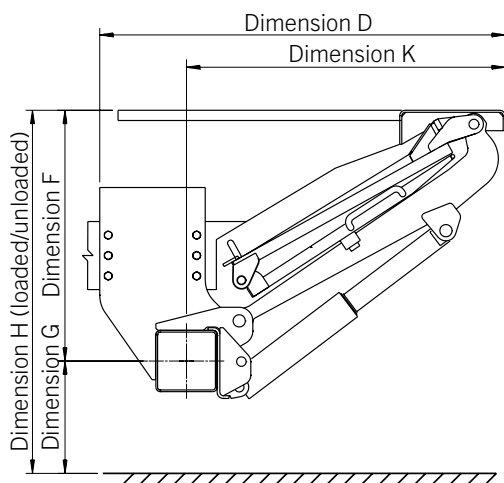
LOAD DIAGRAM

MBB F 1000 SH/SX		MBB F 1500 LH/LX	
a (mm)	Q (kg)	a (mm)	Q (kg)
600	1,000	600	1,500
750	800	720	1,250
1,000	600	900	1,000
1500	400	1,200	750



THE VERSATILE TAIL LIFT

FOLD-UNDER TAIL LIFT



WEIGHTS

Aluminium/aluminium platform type	
Platform width (mm)	2,300
Platform height (mm)	1,605
	478 kg

DIMENSIONS

	SH	SH/SX	LH/LX
Lifting arm lengths (mm)	800	900	1,000
H (max.) loading height, unloaded	1,420	1,546	1,550
H (min.) loading height, loaded	972	1,102	1,172
F (max.) middle of main beam to upper edge of loading floor	822	896	980
K (min.) at dimension F (max.)	694	763	815
D (min.) installation dimension, minimum	1,065 – 850	1,215 – 1,000	1,130 – 1,070
F (min.)	607	737	794
K (max.) at dimension F (min.)	910	937	1,023
G (max.) unloaded (middle of main beam to ground)	598	650	570
G (min.) loaded	365	365	378
E (max.) vehicle frame width (max.)	1,120	1,120	1,120
E (min.) vehicle frame width (min.)	750	750	750

TECHNICAL DATA

Type	MBB F 1000 SH /SX / F 1500 LH/LX
Lifting capacity	1,000/1,500 kg
Main beam	180 x 180 mm
Lifting gear hydraulics	2 lifting cylinders / 2 tilting cylinders
Lifting arm pitch	1,310 mm
Load centre, longitudinal	600 mm
Load centre, across centre	Central, 50% of rated load on one side
Inclination angle of the platform	+10° to -10°

