

**MBB R 1500 S Trailer
MBB R 2000 L Trailer**

**THE RETRACTABLE
TAIL LIFT FOR TRAILER
VEHICLES**

LIFETIME EXCELLENCE



MBB R 1500 S TRAILER

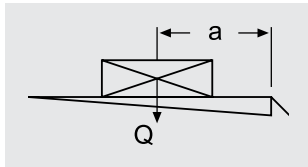
MBB R 2000 L TRAILER

THE RETRACTABLE LIFT

MBB R 1500 S TRAILER / R 2000 L TRAILER

- 1500 / 2000 kg lifting capacity
- Specially for semi-trailers
- Suitable also for vehicles with short overhang or steering rear axle
- Very compact design
- Torsion-resistant rail-frame
- Easy and quick installation

DIAGRAM



R 1500 S TRAILER		R 2000 L TRAILER	
a (mm)	Q (kg)	a (mm)	Q (kg)
1000	1500	750	2000
1200	1250	900	1650
1500	1000	1100	1300
1850	800	1600	950

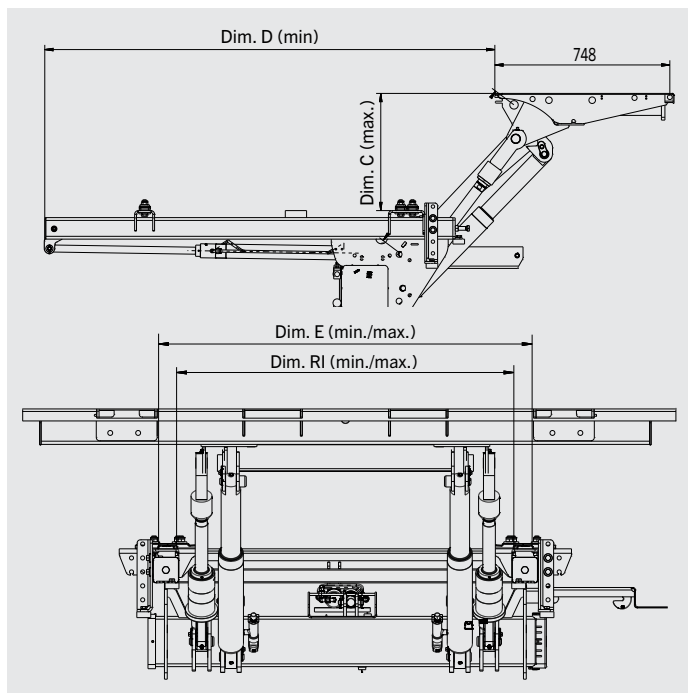
WEIGHT

Platform type	depth (mm)	width (mm)	weight (kg)
Steel/alum.	1700	2400	from 648

TECHNICAL DATA

	MBB R 1500 S TRAILER	MBB R 2000 L TRAILER
Lifting capacity	1500 kg	2000 kg
Main beam	180 x 180 mm	180 x 180 mm
Lifting gear hydraulics	2 x lift cylinder 2 x tilt cylinder	2 x lift cylinder 2 x tilt cylinder
Lift arm pitch	820 mm	820 mm
Load centre - longitudinal	1000 mm	750 mm
Load centre - lateral	50 % of the full load on one side	50 % of the full load on one side
Inclination angle of the platform	10° to +/- 10°	10° to +/- 10°

DIMENSIONS



Lift arms (in mm)	800	900
H (max.) loading height unloaded	1383	1441
H (min.) loading height loaded	1011	1006
F (max.) middle of main beam to upper edge of loading floor	772	817
K (min.) at dimension F (max.)	601	623
D (min.) installation space	1924	2066
F (min.)	566	614
K (max.) at dimension F (min.)	820	907
G (max.) unloaded (middle of main beam to ground)	611	624
G (min.) loaded	350	392
E (max.) vehicle frame width (max.)	1490	1490
E (min.) vehicle frame width (min.)	1330	1330
C (max.) frame height	500	500
RI (max.) inner frame width	1220	1220
RI (min.) inner frame width	1080	1080

PALFINGER Tail Lifts GmbH
 Fockestraße 53
 27777 Ganderkesee
 Deutschland
www.palfinger.com

