

PALFINGER TAIL LIFTS

OPERATING INSTRUCTIONS

TAIL LIFTS



Operating Instructions

for

PALFINGER Tail Lifts

Standard Tail Lifts
Retractable Tail Lifts
Foldable Tail Lifts
Column Lifts

Table of Contents

Table of Contents	4
About these Instructions	6
Further Documentation	6
Important Safety Information	7
Proper Use	7
Qualification of Personnel	8
Safety Instructions in these Instructions	8
Observe the Following	9
PALFINGER Tail Lifts – The Tail Lift	11
Scope of Delivery	12
How to Find Your Tail Lift Model	13
Model Overviews	16
Standard Tail Lifts	16
Standard Tail Lifts	17
Standard Tail Lifts	18
Standard Tail Lifts with Electrical Cylinders	19
Retractable Tail Lifts	20
Retraction Equipment	21
Foldable Tail Lifts	22
Column Lifts	23
Presetting the Tail Lift	24
Setting the Ground Adjustment Timing	24
Presetting the Platform Tilt	24
Adjusting the Pressure Switch of the Hydraulic Stabilizer Feet	25
General Operation	26
Switching on the Tail Lift	27
Extending the Stabilizer Feet at Your Vehicle	29
Retracting the Stabilizer Feet at Your Vehicle	30
Putting Up or Laying Down the Safety Railing at the Platform	30
Moving the Platform	33
Loading or Unloading the Platform	36
Switching Off the Tail Lift	39
Driver's Cab Control System	40

Operating Elements	42
Lateral Operating Element	43
Operation Using two Hand Cable Controls with three Pushbuttons, Each	100
Optional Operating Method: Foot Control	106
Optional Operating Method: Hand Cable Control with two Pushbuttons	108
Optional Operating Method: Hand Cable Control with three Pushbuttons	110
Optional Operating Method: Hand Cable Control with four Pushbuttons for MBB C 750 SX	113
Optional Operating Method: Wireless Remote Control Unit (Standard)	116
Special Operating Elements	118
Special Operating Elements	120
Special Operating Elements	122
Programming a Key Code	125
Service and Maintenance	131
Maintenance Before Starting	134
Maintenance Depending on Usage Frequency	135
Monthly Maintenance	141
Quarterly or Semi-annual Maintenance	144
Annual Maintenance	144
Checks	150
Eliminating Faults	151
Technical Data	168
Load Diagrams	169
Hydraulic Diagrams	174
Lubricants and Operating Media	188
Recommended Hydraulic Oil Grades	188
Environment-friendly Oils	188
Recommended Lubricating Grease/Oil	188
Available Accessories	189
Index	193

About these Instructions

These instructions contain important information to install, operate and maintain the **PALFINGER Tail Lifts** tail lift in a safe and proper way, and to eliminate simple faults yourself.

- ▶ Before starting to work with the tail lift, read these instructions completely, particularly chapter "Important Safety Information".

Further Documentation

- Assembly instructions
- Assembly drawing
- Spare parts catalog (online)
- Test data booklet
- Assembly inspection report (on request)
- Brief operating instructions (optional)
- Supplement to operating instructions (optional)

Important Safety Information

The **PALFINGER Tail Lifts** tail lift is manufactured according to state-of-the-art processes and approved safety standards. However, the risk of personal injuries and material damage exists if the following general safety instructions and the warnings prior to the work instructions given in this manual are not obeyed.

- ▶ Therefore, read these instructions thoroughly and completely before operating the tail lift.
- ▶ Store the instructions in such a way that all users have access to the instructions at any time.
- ▶ Always provide these operating instructions if you sell or rent out the vehicle with the tail lift.

Proper Use

- ▶ Exclusively use the tail lift for loading and unloading goods. During loading and unloading, only the operator is allowed to travel on the lift.
- ▶ Only use the tail lift with the body installed. When using the tail lift without the body, there is a risk of personal injury or property damage as the lifting stroke may become too high and the lift cylinders may fall out.
- ▶ Observe all capacity limits as stated in the technical data.

Proper use also means that you have read and understood these instructions, particularly chapter "Important Safety Information".

Improper use is considered any use where the tail lift is used

- outside the application areas stated in these instructions,
- under operating conditions that deviate from the description in these instructions.

Qualification of Personnel

The operation of the tail lift is only allowed for:

- personnel who has read and understood these instructions, particularly chapters “Important Safety Information” and “General Operation”,
- and has been familiarized with mode of action and handling the tail lift.

Safety Instructions in these Instructions

Safety instructions have been included before any instruction for actions where the risk of personal injuries or material damage exists.

Safety instructions are structured as follows:

SIGNAL WORD



Description of type and source of hazard

Description of consequences if instructions are not observed

- ▶ Description of actions to eliminate the hazard

The described actions to eliminate the hazard must be absolutely complied with!

The signal word designates the severity of the hazard:

Signal word	Usage
DANGER!	Indicates a direct serious hazard that will result in severe injuries or even death, if the hazard is not avoided.
WARNING!	Indicates a potential hazard that may result in severe injuries or even death, if the hazard is not avoided.
CAUTION!	Indicates a potentially hazardous situation that may result in medium or light injuries or damage to property if the hazard is not avoided.

Observe the Following

General Notes



- Always have these instructions readily available in the vehicle.
- Constructional changes may only be performed by the contractor repair shop of **PALFINGER Tail Lifts**. You will find the address of your local contractor repair shop and other contact information in the list of repair shops.
- For maintenance, use only original spare parts from **PALFINGER Tail Lifts**.
- Observe all applicable accident prevention regulations.

When Switching On



- Before switching on the tail lift, check whether all safety and warning devices are in place and function properly.
 - Warning flags
 - Warning lights
 - Supporting straps
 - Roll stops

During Operation



- Make sure that the tail lift is unlocked before taking it into operation.
- Provide sufficient illumination of the loading area.
- Never transport persons on the tail lift.
- Always load the tail lift in such a way that the weight is evenly distributed.
- Secure the load so that it cannot fall off the tail lift. Rolling containers without brakes may only be transported on the tail lift if you secure them with roll stops (roll-off protection) against rolling away.
- Keep the maneuvering area around the vehicle free.

Prior to Maintenance

- Switch off the battery main switch or remove the grounding strap.
- Secure or relieve the springs before replacement.
- If hydraulic oil emerges, do not put your hands into the oil stream.
- When executing any maintenance work under the platform, secure the moving part against moving down.

At Disposal

- Dispose of oils and filters according to the regulations in your country.

PALFINGER Tail Lifts – The Tail Lift

Congratulations to the purchase of your new tail lift made by **PALFINGER Tail Lifts!**

With more than 50 years of experience in the field of hydraulic tail lifts, **PALFINGER Tail Lifts** GmbH is among the leading manufacturers of these highly helpful load systems.

You will encounter the tail lifts of the **PALFINGER Tail Lifts** brand and also former brands such as Hubfix, Interlift, and Hayons Inter in more than 40 countries throughout the world. More than 100,000 tail lifts manufactured in the factory near Bremen can be found on all five continents.

A unique service network with more than 2,500 service stations in Europe alone guarantees optimum logistics without borders. Your new **PALFINGER Tail Lifts** tail lift features innovative and reliable technology. It was manufactured by our employees with great care. These are the best prerequisites for a long and problem-free service-life.

To familiarize yourself with the operation of the new tail lift, we ask you to read the following operating instructions carefully. In these instructions you also find the necessary safety instructions for the operation of the tail lift.

In case you have any questions concerning your tail lift, the **PALFINGER Tail Lifts** service team is readily available for you.

Scope of Delivery

- Tail lift
- Adhesive label – ETMA information
- Large identification plate (for the platform)
- Small identification plate (for the lifting device)
- Underrun bumper shield (UBS)
- Load diagram
- Operating Instructions
- Test data booklet
- Starter kit, consists of:
 - Underrun bumper certificate
 - Assembly instructions
 - Brief operating instructions
 - Large inspection organization (TÜV) plate
 - Small inspection organization (TÜV) plate

How to Find Your Tail Lift Model

Each tail lift model has been assigned a letter (**A** to **V**) in these operating instructions. You will find the letter at the beginning of each chapter that contains information concerning your tail lift model. The following overview indicates which letter is valid for your model.

Standard Tail Lifts

A

Lateral Operating Pane

MBB C 1000 S – C 3000 S

MBB C 1000 LD – C 2500 L

MBB C 1500 SZ – C 2500 SZ

MBB C 1500 SK – C 2500 SK

MBB C 750 SPLD SPRD –
C 1000 SPL SPR

MBB C 750 LD – C 1000 L / PTC 1000 LLW

MBB C 1000 ML – C 1500 ML

MBB C 1000 ML PRO –
C 1500 ML PRO

MBB C 750 S / PTC 750 S

MBB C 750 LX

MBB C 750 SX

MBB C 500 LD – C 750 L / PTC 750 L / PTC 750 LLW

MBB C 750 SPL SPR

MBB C 1500 LX – C 2000 LX

B

One-Cylinder Model

MBB C 500 LG

C

minifix

MBB C 350 VAN – C 600 VAN

MBB C 500 VAN FLEX

E

Electrical Cylinders

MBB C 1000 E

Retractable Tail Lifts

F

Platform Single-Folded

MBB R 1000 S – R 2500 S

MBB R 1500 L – R 2500 L

MBB R 1500 L FLAT

MBB R 1500 SK – R 2000 LK

MBB R 1500 S TRAIL –
R 2500 L TRAIL

MBB R 1500 S TRUCK –
R 2000 L TRUCK

MBB R 1000 S TRUCK-LGD –
R 2000 L TRUCK-LGD

MBB R 1500 S TRAIL-LGD –
R 2500 L TRAIL-LGD

MBB R 1000 S TRUCK-CCD –
R 2000 L TRUCK-CCD

MBB R 1500 S TRAIL-CCD –
R 2500 L TRAIL-CCD

G

Platform Double-Folded

MBB R 1500 SH – R 2000 LH

MBB R 750 SM – R 2000 LM

Foldable Tail Lifts

K

Four-Cylinder Model

MBB F 1000 SH – F 2000 LH

MBB F 1000 SX – F 2000 LX

L

Two-Cylinder Model

MBB F 1000 LD – F 1500 LU

MBB F 1000 L – F 1500 L

M **One-Cylinder Model**

MBB F 600 L

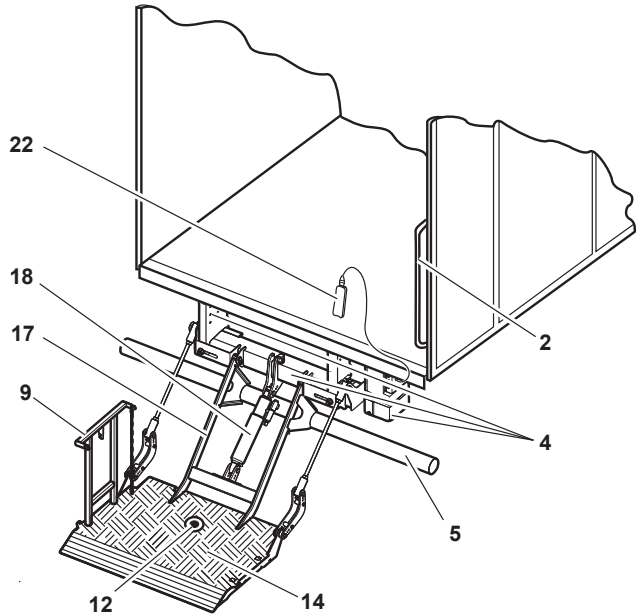
MBB C 600 L

Column Lifts

V **Standard Column Lift**

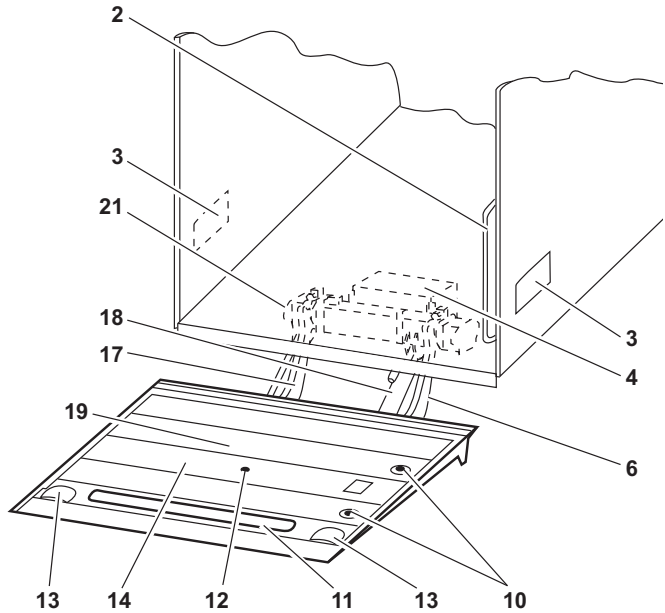
MBB V 4000 S

B Standard Tail Lifts



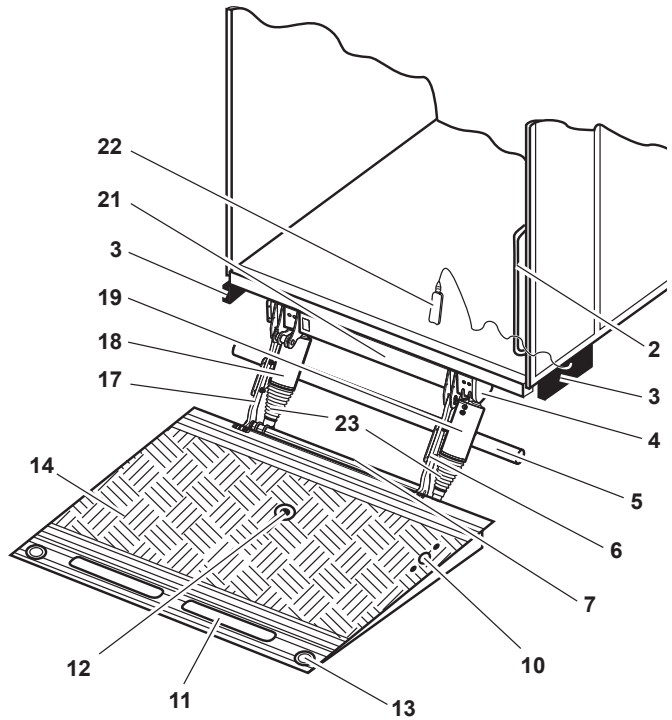
- | | |
|---|-------------------------------------|
| 2 Supporting strap on body
(not in scope of delivery) | 12 Payload center of gravity |
| 4 Hydraulic unit | 14 Platform |
| 5 Underrun bumper | 17 Torsion frame |
| 9 Railing | 18 Lift cylinder |
| | 22 Hand cable control |

C Standard Tail Lifts



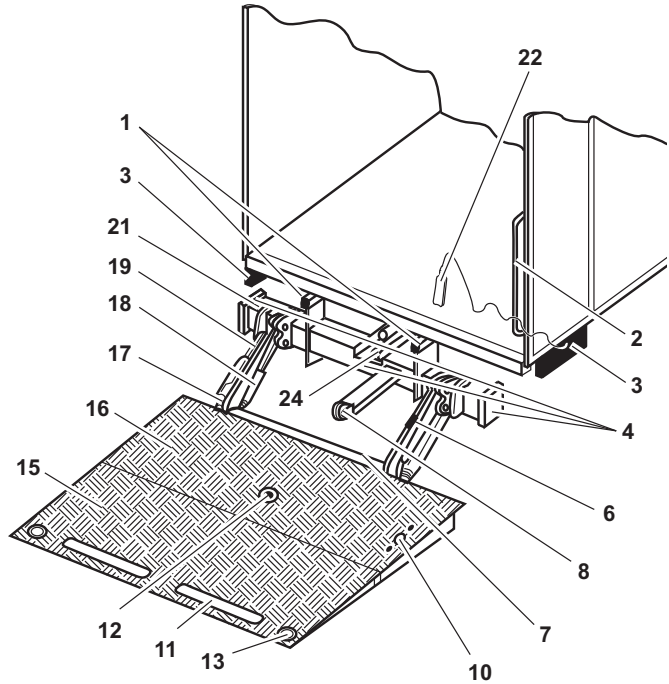
- | | |
|--|---|
| 2 Supporting strap on body
(not in scope of delivery) | 13 Warning lights
(optional) |
| 3 Lateral operating panel | 14 Platform |
| 4 Hydraulic unit | 17 Torsion frame |
| 6 Lift arms switch b13 | 18 Lift cylinder |
| 10 Foot control | 19 Tilt cylinder (covered by
platform) |
| 11 Roll stop (roll-off protection,
optional) | 21 Support tube |
| 12 Payload center of gravity | |

E Standard Tail Lifts with Electrical Cylinders



- | | | | |
|----|---|----|---------------------------|
| 2 | Supporting strap on body (not in scope of delivery) | 12 | Payload center of gravity |
| 3 | Lateral operating panel | 13 | Warning lights (optional) |
| 4 | Power unit | 14 | Platform |
| 5 | Underrun bumper | 17 | Torsion frame |
| 6 | Tilt sensor b15 | 18 | Lift cylinder |
| 7 | Tilt sensor b15 | 19 | Tilt cylinder |
| 10 | Foot control | 21 | Support tube |
| 11 | Roll stop (roll-off protection, optional) | 22 | Hand cable control |
| | | 23 | Bellows |

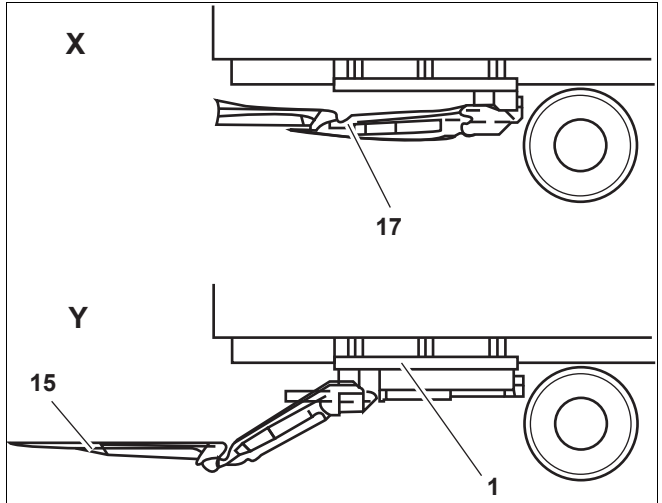
F G Retractable Tail Lifts



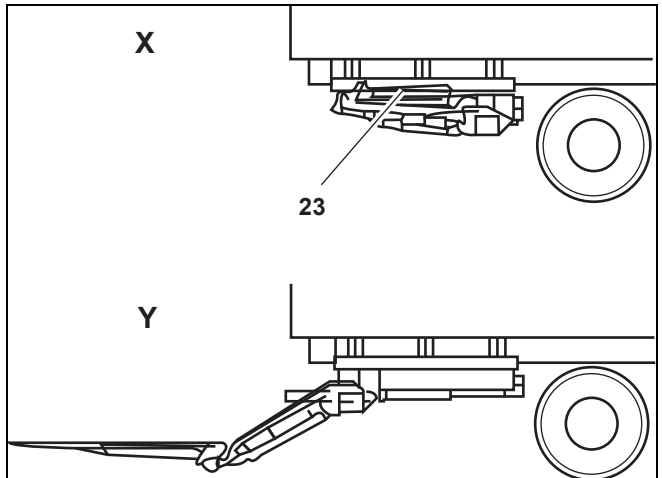
- | | | | |
|----|--|----|-----------------------------|
| 1 | Guide rails | 12 | Payload center of gravity |
| 2 | Supporting strap on body
(not in scope of delivery) | 13 | Warning lights (optional) |
| 3 | Lateral operating panel | 15 | Folding part of platform |
| 4 | Hydraulic unit | 16 | Stationary part of platform |
| 6 | Lift arms switch b13,
tilt sensor b15 | 17 | Torsion frame |
| 7 | Lift arms switch b16,
tilt sensor b15 | 18 | Lift cylinder |
| 8 | Guide pulley | 19 | Tilt cylinder |
| 10 | Foot control (optional) | 21 | Support tube |
| 11 | Roll stop (roll-off
protection, optional) | 22 | Hand cable control |
| | | 24 | Guide cylinder |

Retraction Equipment

F



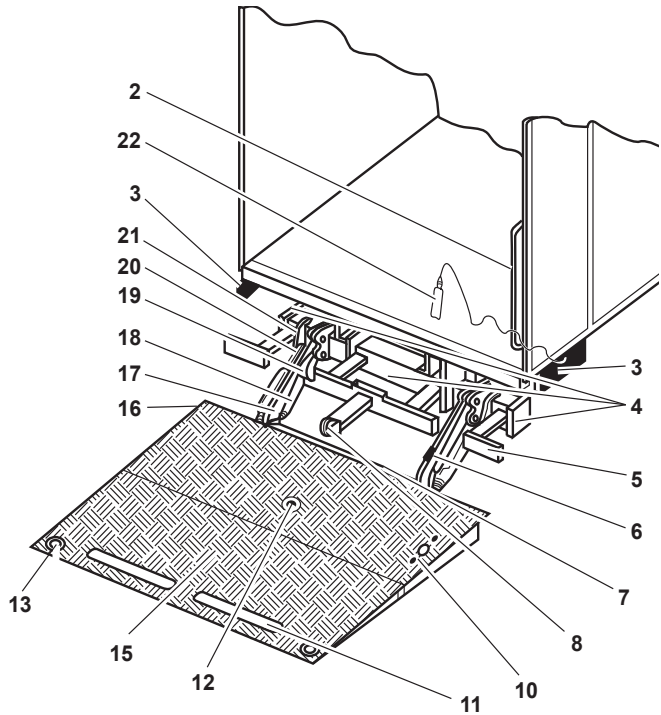
G



- 1 Guide rails
- 15 Folding part of platform
- 17 Torsion frame
- 23 Platform package

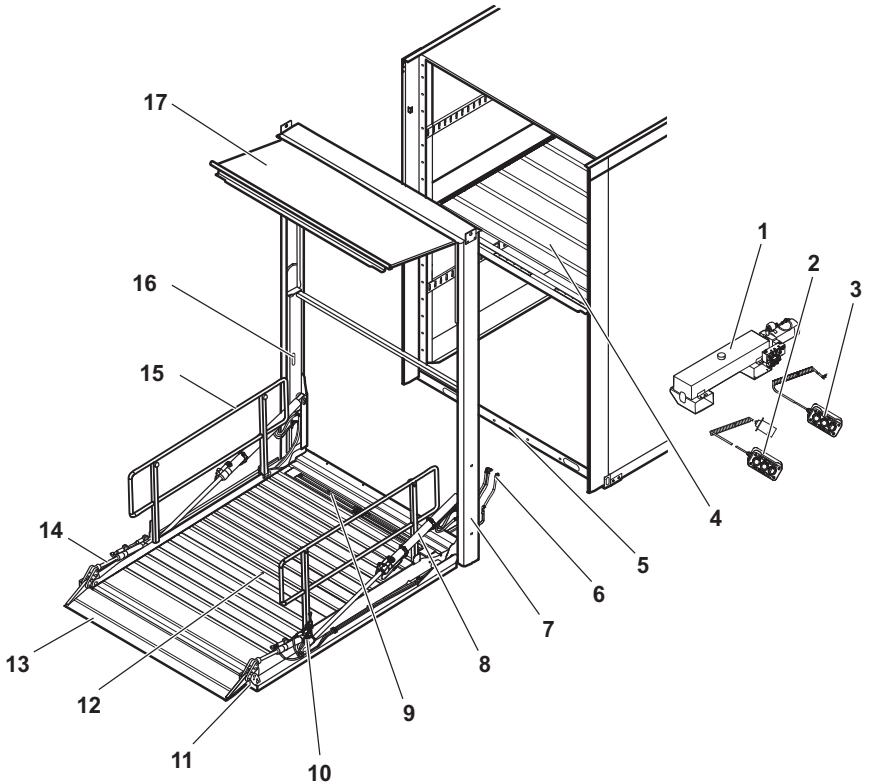
- X Transport position
- Y Operating position

K L M Foldable Tail Lifts



- | | | | |
|----|---|----|-----------------------------|
| 2 | Supporting strap on body (not in scope of delivery) | 12 | Payload center of gravity |
| 3 | Lateral operating panel | 13 | Warning lights (optional) |
| 4 | Hydraulic unit | 15 | Folding part of platform |
| 5 | Underrun bumper | 16 | Stationary part of platform |
| 6 | Lift arms switch b13, tilt sensor b15 | 17 | Torsion frame |
| 7 | Lift arms switch b16, tilt sensor b15 | 18 | Lift cylinder |
| 8 | Guide pulley | 19 | Tilt cylinder |
| 10 | Foot control (optional) | 20 | Roller at underrun bumper |
| 11 | Roll stop (roll-off protection, optional) | 21 | Support tube |
| | | 22 | Hand cable control |

V Column Lifts



- | | | | |
|---|---|----|---|
| 1 | Hydraulic unit with oil tank | 10 | Tilt sensor b15 (factory-set, do not change position) |
| 2 | Hand cable control 1 | 11 | Warning light |
| 3 | Hand cable control 2 | 12 | Payload center of gravity |
| 4 | Vehicle deck 2 | 13 | Link bridge (roll stop, towards external side) |
| 5 | Vehicle deck 1 | 14 | Tilt cylinder |
| 6 | Hydraulic hoses (connected to hydraulic unit) | 15 | Safety railing |
| 7 | Guide frame | 16 | Slide |
| 8 | Closing cylinder | 17 | Top flap |
| 9 | Roll-stop, towards vehicle rear | | |

Presetting the Tail Lift

This chapter provides principle settings to enable the comfortable and safe use of the tail lift.

A C F

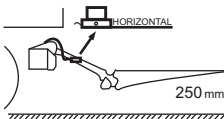
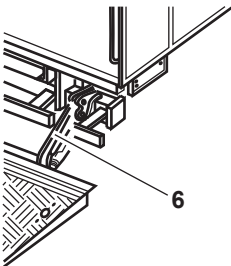
Setting the Ground Adjustment Timing

Only for E-Type equipment with lift arms switch b13 the workshop can determine the time the platform initiates the tilt process (ground adjustment) after making contact with the ground.

To adjust the timing for the ground adjustment:

- ▶ Loosen the fastening screw at lift arms switch b13 (6).
- ▶ To set an **“earlier”** ground adjustment, turn lift arms switch b13 (6) a few millimeters clockwise.
To set a **“later”** ground adjustment, turn lift arms switch b13 (6) a few millimeters counterclockwise.
- ▶ Retighten the fastening screw at lift arms switch b13 (6).
- ▶ Check whether the platform initiates the tilt process at the time desired.
- ▶ Check whether the spring washer is mounted between lift arms switch and screw and fold back the locking plate.

The time the platform is supposed to tilt has been preset now. The platform tilts earlier or later.



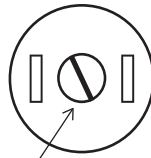
A E F G K

Presetting the Platform Tilt

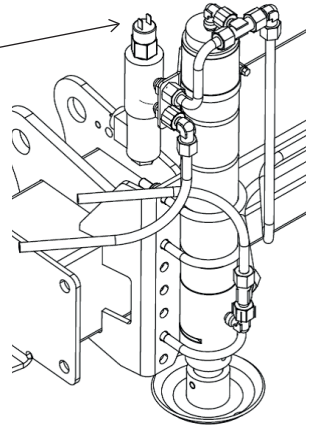
After the platform was lifted from the ground, it reverts to the preset position. You can adjust the tilt of the platform slightly higher or lower.

- ▶ Adjust the desired upper position by using the “Open/Close” pushbutton of the operating panel (see “General Operation” from p. 26). This is only possible with the tilt sensor b15 on the platform.

A Adjusting the Pressure Switch of the Hydraulic Stabilizer Feet



Turn set screw
(adjustment range 20 to 50 bars)
- clockwise to
 increase pressure
- counterclockwise to
 reduce pressure



If the hydraulic stabilizer feet should lift the vehicle excessively or should not reach the ground, the pressure switch of the stabilizer can be adjusted.

For this purpose, turn the set screw on the pressure switch.

In order to reduce the contact pressure of the stabilizer feet, turn the set screw counterclockwise by one turn.

In order to increase the contact pressure of the stabilizer feet, turn the set screw clockwise by one turn.

After the adjustment, verify the contact pressure by lowering the stabilizer feet. If the wanted switch-off of the stabilizer is not achieved, repeat the setting procedure.

General Operation

This chapter provides basic information that you must observe during operation. This information applies to all tail lift models.

- ▶ Read the entire chapter carefully and pay special attention to the following safety instructions.

CAUTION!



Hazard of battery discharge!

When the symbol shown on the left is depicted on the operating element of your tail lift, the tail lift is equipped with a battery monitoring system (BÜW).

When the battery capacity falls below the limit value, a buzzer is sounded and the tail lift is automatically switched off, to conserve battery power. The battery power is already at a low level that only one more engine start is possible. IF you continue to use the tail lift, you will not be able to start the vehicle!

- ▶ Start the vehicle engine immediately after hearing the buzzer, to recharge the battery!

Note: For more information on the recommended battery capacity refer to the corresponding table on p. 168.

Switching on the Tail Lift

CAUTION!



Risk of injury or material damage due to insufficient safety measures!

Personnel can be injured and material damage can occur at your vehicle, the tail lift, or other vehicles if you do not observe the following:

- ▶ Prior to starting work, be sure that all safety and warning devices are present and operational.
- ▶ Only stop in places where the traffic regulations permit a stop.
- ▶ Secure the vehicle against rolling away, for example by using the parking brake, engaging a gear, or wheel chocks.
- ▶ Secure the traffic area with warning flags and warning lights before loading or unloading the vehicle. Pay special attention to secure the operating elements of the tail lift that stick out into the moving traffic.

Depending on the model there are four ways to switch on the tail lift:

- Switch in driver's cab
- Key control at lateral operating element
- Key code at lateral operating element
- Battery main switch

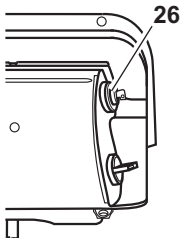
To switch on the tail lift using the **switch** in the driver's cab:

- ▶ Set the switch in the driver's cab to "ON".

The switch marking is no longer visible.

The operational readiness of the tail lift is shown by an optical signal in the driver's cab.

If the vehicle is equipped with a starter interlock, the vehicle cannot be started.



To switch on the tail lift using the **key control (26)** at the lateral operating element:

- ▶ Insert the key into the keyhole of the key control and turn it clockwise.

The operational readiness of the tail lift is shown by an optical signal in the driver's cab.

To switch on the tail lift using the **key code** at the lateral operating element:

- ▶ Enter the key code using the Lift and Close pushbuttons (see “Programming a Key Code” from p. 125).

The operational readiness of the tail lift is shown by an optical signal in the driver's cab.

To switch on the tail lift using the **battery main switch**:

- ▶ Turn the battery main switch clockwise until the cam is engaged.

The operational readiness of the tail lift is shown by an optical signal in the driver's cab.

Extending the Stabilizer Feet at Your Vehicle

CAUTION!



Damage to the vehicle!

The vehicle chassis frame can be damaged by insufficient carrying capacity of the ground or by incorrectly adjusted hydraulic stabilizer feet.

- ▶ Make sure that the carrying capacity of the ground is appropriate for the stabilizer feet!
- ▶ Never lift up the vehicle by means of the hydraulic stabilizer feet!
- ▶ Readjust the stabilizer feet several times while loading the vehicle.

CAUTION!



Risk of injury or material damage for vehicles with air suspension

When you do not block the air suspension of your vehicle, the load is completely taken off the axles and the weight is transferred to the stabilizer feet. This can result in personal injuries and your tail lift, your vehicle, or the load can be damaged.

- ▶ Set the air suspension control lever of your vehicle to position "Block"!

Vehicles with Mechanical Stabilizer Feet

Mechanical stabilizer feet prevent chassis damage. When loading the vehicle, the stabilizer feet skid through.

To extend the mechanical stabilizer feet:

- ▶ Loosen the clamping device.
- ▶ Lower the stabilizer feet until they touch the ground.
- ▶ Hand-tighten the clamping device.

Vehicle with Hydraulic Stabilizer Feet

- ▶ To extend the hydraulic stabilizer feet, see "Operation Using One-hand Control and Hydraulic Stabilizer Feet" from p. 54.

Retracting the Stabilizer Feet at Your Vehicle

Retracting Mechanical Stabilizer Feet

- ▶ Loosen the clamping device.
- ▶ Push the stabilizer feet back into the transport position.
- ▶ Hand-tighten the clamping device.

Retracting Hydraulic Stabilizer Feet

CAUTION!



Risk of chassis damage!

In case of vehicles with air suspension, the entire weight can be shifted to the stabilizer feet.

- ▶ Before retracting the stabilizer feet, lift the vehicle by means of the air suspension in such a way that the stabilizer feet are relieved.

- ▶ To retract the hydraulic stabilizer feet, see "Operation Using One-hand Control and Hydraulic Stabilizer Feet" from p. 54.

Putting Up or Laying Down the Safety Railing at the Platform

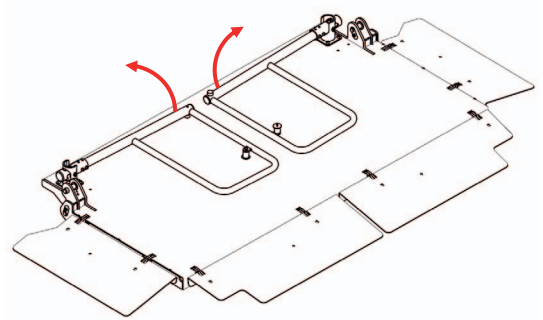
Depending on the model, the platform of your tail lift is protected by a safety railing. There are two possible basic types of safety railings:

- a P-shaped safety railing
- an A-shaped safety railing

In order to put up or lay down the safety railings at the platform, proceed as described below:

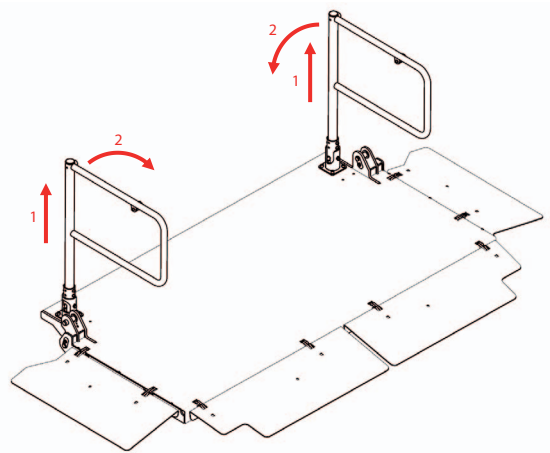
Putting Up P-Shaped Safety Railings

- ▶ Rotate the respective safety railings by 90° upwards, until it locks into place.



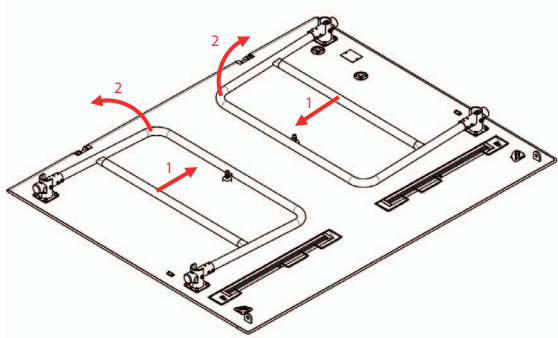
Laying Down P-Shaped Safety Railings

- ▶ To unlock, pull up the respective safety railing (1).
- ▶ Rotate the respective safety railing inwards (2), until the magnetic resilient pad touches down onto the platform.



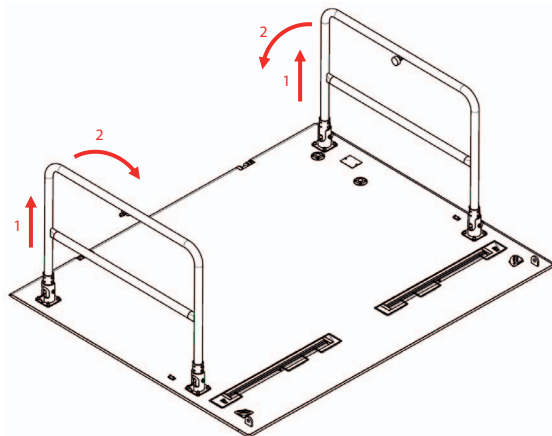
Putting Up A-Shaped Safety Railings

- ▶ Pull the respective safety railing towards the center of the platform (1).
- ▶ Rotate the respective safety railings by 90° upwards (2) and lower it until it firmly locks into place.



Laying Down A-Shaped Safety Railings

- ▶ Pull up the respective safety railing (1).
- ▶ Then rotate the respective safety railing inwards (2), until the magnetic resilient pad touches down onto the platform.



Moving the Platform

CAUTION!



Risk of injury and material damage when moving the platform!

Personnel can be injured when moving the platform. Vehicles and other object in the maneuvering area can be damaged. Load items can fall down and be damaged or injure other persons.

- ▶ Make sure that sufficient space is available behind the vehicle for the tail lift.
- ▶ Keep other persons away from the maneuvering area while you move the platform.
- ▶ Watch the payload, the maneuvering area, and the squeeze area to the vehicle while you move the platform.
- ▶ Observe that the operating element are only actuated to move the platform.
- ▶ Adjust the platform tilt only in no-load condition.

CAUTION!



Risk of injury because of insufficient holding or too little space on the platform!

Persons can fall off the platform and suffer from injuries.

- ▶ When loading the platform, leave enough free space for the operator (minimum 50 x 60 cm).
- ▶ Only one person – the operator – is allowed to travel on the platform at any time.
- ▶ Never hold the payload, always hold tight to the supporting strap!
- ▶ Watch the payload and the maneuvering area while moving the platform.

How to move the platform depends on the model and the associated lateral operating element. For a detailed description, refer to chapter “Operating Elements” from p. 42.

Explanation of Terms

Actions for the platform:

- **Open**



The platform opens and moves from the vertical transport position to the desired operating position. This position is stored and reverted to when lifting the platform after the ground adjustment.

- **Close**



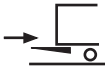
The platform closes and moves from the horizontal operating position to the vertical transport position.

- **Extend**



The platform extends from under the vehicle.

- **Retract**



The platform retract under the vehicle.

- **Fold out**



The platform folds out from the transport position to the operating position.

- **Fold in**



The platform folds in from the operating position to the transport position.

- **Lower**



The platform moves in horizontal position downwards.

- **Lift**



The platform moves in horizontal position upwards.

• Ground Adjustment



After bringing down the platform it tilts from the operating position to adjust to the ground level.

The foldable models **M** tilt gradually during bringing down the platform.

• Setting the Platform to its Horizontal Position



Before the platform is raised from the ground it tilts back into the horizontal operating position that was stored during opening.

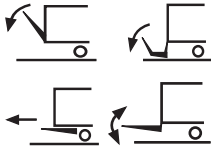
The foldable models **M** tilt gradually during lifting to the horizontal operating position.

• Setting the Platform Tilt



The platform can move to the desired operating position with a higher or lower tilt angle.

Opening/Folding out/Extending the Platform and Setting the Platform Tilt



- ▶ Loosen the platform interlock (if present).
- ▶ Open, fold out or extend the tail lift depending on the model by means of the lateral operating element or hand cable control, as described in chapter “Operating Elements” from p. 42.
- ▶ Depending on the model, turn the rotary switches to open or close the platform, as described in chapter “Operating Elements” from p. 42, until the unladen platform reaches the desired tilt angle.

Bringing Down the Platform



While the platform is brought down it remains in horizontal position. After the platform has touched the ground it tilts until the platform edge is flush with the ground.

- ▶ Lower the platform depending on the model by means of the lateral operating element, the foot control, or the hand cable control, as described in chapter “Operating Elements” from p. 42.

The platform is slowly brought down and automatically adjusts to the ground.

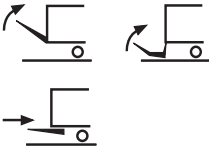
Lifting the Platform



Before the platform is lifted it tilts to the horizontal position. While the platform is lifted it remains in horizontal position.

- ▶ Lift the platform depending on the model by means of the lateral operating element, the foot control, or the hand cable control, as described in chapter "Operating Elements" from p. 42.

Closing/Folding In/Retracting the Platform



- ▶ Close, fold in or retract the tail lift depending on the model by means of the lateral operating element or hand cable control, as described in chapter "Operating Elements" from p. 42.
- ▶ Close the platform interlock (if present).

Loading or Unloading the Platform

CAUTION!



Damage to the tail lift by incorrect loading!

The tail lift can be damaged if the platform load is too high or unbalanced.

- ▶ When loading the platform, do not exceed the maximum load weight specified in the chapter "Technical Data" from p. 168. Take the weight of the operator standing on the platform into account. The load diagram is also shown at the lateral operating element.
- ▶ Center the load on the platform. The payload center of gravity should be as close to the vehicle as possible. If you load the platform on one side only, the payload weight may be max. 50% of the permitted payload.
- ▶ Rolling containers without brakes may only be loaded if the tail lift is equipped with a roll-off protection (roll stops or grooves). Rolling containers without brakes must always be secured by this roll-off protection.

CAUTION!



Risk of injury!

Persons can fall off the platform and suffer from injuries.

- ▶ When loading the platform, leave enough free space for the operator (minimum 50 x 60 cm).

CAUTION!**Risk of personal injury and material damage by lack of stabilization!**

If the vehicle is not stabilized, there is a risk that the platform tilt is misadjusted by impermissible load of the axles and compression of the air or leaf spring of the vehicle. As a result, the load may start to move in an uncontrolled manner. This can result in personal injuries or the platform could be severely damaged.

- ▶ Make sure, that the load of the vehicle front axle does not fall below the minimum load.
- ▶ Make sure, that the maximum load of the vehicle rear axle does not exceed the maximum load.

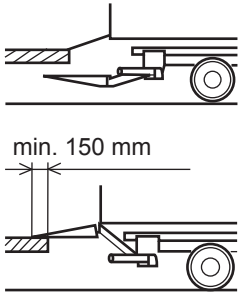
Loading or Unloading the Platform on the Ground

- ▶ Roll or lift the payload onto the platform.
- ▶ Secure any rolling containers on the tail lift by installed brake devices or roll-off protections.

Loading or Unloading the Platform at a Ramp**CAUTION!****Risk of falling when loading at a ramp!**

Person can trip and fall down if there is an edge between ramp and platform during loading or unloading.

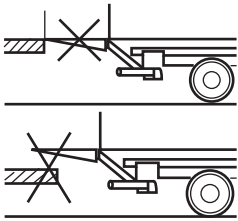
- ▶ When the vehicle is unloaded and is lifted up by the spring action, lower the platform manually.

**Note:**

The maximum permissible load must not be exceeded.

The tail lifts are equipped with a float mode. The float mode is a safety feature. When the vehicle lowers itself during loading, the float mode causes the platform to automatically yield and reposition itself. This does not apply to column lifts.

The float mode does not function during unloading. You must manually lower the platform. Thus you prevent a gap between platform and ramp where you could trip.



Switching Off the Tail Lift

The tail lift may only be switched off when the platform is closed or folded in.

CAUTION!



Risk of injury or material damage due to unlocked tail lift!

Persons can be injured or vehicles and objects in public road traffic can be damaged if the tail lift folds out accidentally during driving and sticks out into the moving traffic.

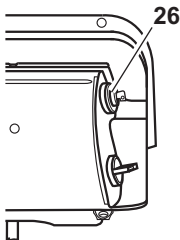
- ▶ Before driving, lock the tail lift after folding in.
- ▶ Make sure that the warning lights **(25)** in the driver's cab are not lit.

Depending on the model there are different ways to switch off the tail lift:

- Switch in driver's cab
- Key control at lateral operating element
- Key code at lateral operating element
- Battery main switch
- Driver's cab control system with camera system

To switch off the tail lift using the **switch** in the driver's cab:

- ▶ Set the switch at the control box in the driver's cab to "OFF".
The visual signal indicating the operational readiness of the tail lift extinguishes. The tail lift is switched off.



To switch off the tail lift using the **key control (26)** at the lateral operating element:

- ▶ Insert the key into the keyhole of the key control and turn it counterclockwise.
- ▶ Remove the key.
The visual signal indicating the operational readiness of the tail lift extinguishes. The tail lift is switched off.

To switch off the tail lift using the **key code** at the lateral operating element:

- ▶ Enter the key code using the Lift and Close pushbuttons (see "Programming a Key Code" from p. 125).
The visual signal indicating the operational readiness of the tail lift extinguishes. The tail lift is switched off.

To switch off the tail lift using the **battery main switch**:

- ▶ Turn the battery main switch counterclockwise until the cam is engaged.

The visual signal indicating the operational readiness of the tail lift extinguishes. The tail lift is switched off.

Driver's Cab Control System

- Note:** If the vehicle is provided with a driver's cab control system with camera system, read and observe the supplement to the operating instructions attached to the driver's cab control system as a separate document.

Operating Elements

This chapter describes the operating elements of the different tail lift models. To identify your model, refer to “How to Find Your Tail Lift Model”, p. 13.

CAUTION!



Risk of accidents and injury!

If the safety and warning devices of the tail lift are damaged or missing, personal injuries or material damage can occur.

- ▶ Ensure that all safety and warning devices are present and operational.

You can operate the tail lift in several possible ways:

1. using the lateral operating element (depending on the model, see p. 42 to p. 125),
2. using the joystick (see p. 56),
3. using the two manual cable switches (for column lift, see p. 100),
4. using the foot control (optional, see p. 106) or
5. using the hand cable control (optional, see p. 108) or
6. using the radio remote control unit (optional, see p. 116) or
7. using the special operating elements (optional, see p. 118).

Note:

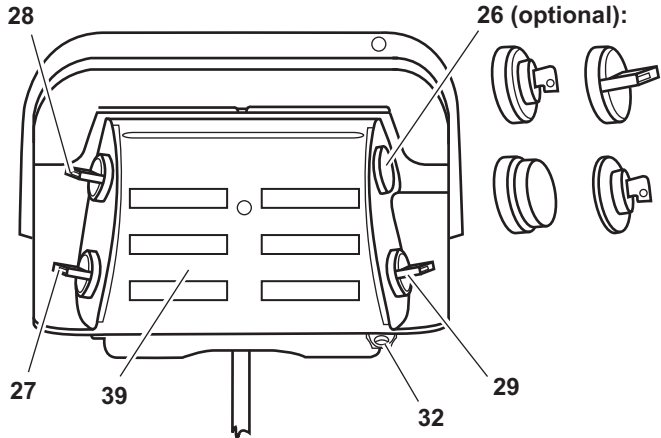
These instructions describe the standard range of products. Special product lines may differ from the descriptions in here or may have enhanced functions. For a detailed description of your product type, please contact our customer service.

Lateral Operating Element

Depending on your tail lift model you find information about the operation of the lateral operating element on:

AE	p. 44 to p. 54
A	p. 54
B	p. 92 to p. 98
C	p. 58
F	p. 60 to p. 68
G	p. 74 to p. 82
K	p. 86 to p. 90
L	p. 92 to p. 94
M	p. 92 to p. 98

A E Operation Using Two-hand Control



26 Optional: key control, rotary switch, emergency-off pushbutton, E30 key

27 Rotary switch: lift/lower

28 Rotary switch: open/close

29 Rotary switch: additional pushbutton

32 Locking lug

39 Operating panel

DANGER!



Risk of accidents and injury!

If the instructions in chapter “General Operation” are not observed during operation of the tail lift, personal injuries and material damage can occur.

- ▶ Before operating the tail lift, read chapter “General Operation” from p. 26.

Note: These instructions describe the standard range of products. Special product lines may differ from the descriptions in here or may have enhanced functions. For a detailed description of your product type, please contact our customer service.

Opening the Platform



- ▶ Loosen the platform interlock (if present).
- ▶ Turn the rotary switches **(28)** and **(29)** simultaneously downward and hold them down until the platform has reached the horizontal operating position.

If an optional load safety device is present, the platform is lowered a small amount and then unfolds to the horizontal operating position.

Lowering the Platform



- ▶ Turn the rotary switches **(27)** and **(29)** simultaneously downward and hold them in this position until the platform has made contact with the ground.

After the platform has touched the ground it tilts and adjusts to the ground.

Lifting the Platform



- ▶ Turn the rotary switches **(27)** and **(29)** simultaneously upward and hold them in this position until the platform has reached the vehicle loading floor height.

The platform tilts to the horizontal or preset position before it is lifted.

Closing the Platform

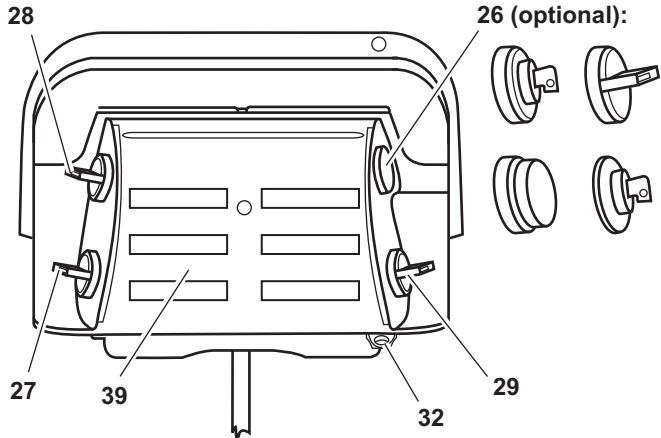


- ▶ Turn the rotary switches **(28)** and **(29)** simultaneously upward and hold them in this position until the platform is closed.

If an optional load safety device is present, the platform closes approximately to 80° and is lowered a small amount. Subsequently it moves to the vertical transport position and is lifted into the load safety device.

- ▶ Close the platform interlock (if present).

A Operation Using Two-hand Control without Automatic Ground Adjustment



- 26** Optional: key control, rotary switch, emergency-off pushbutton, E30 key
- 27** Rotary switch: lift/lower
- 28** Rotary switch: open/close
- 29** Rotary switch: additional pushbutton
- 32** Locking lug
- 39** Operating panel

DANGER!



Risk of accidents and injury!

If the instructions in chapter “General Operation” are not observed during operation of the tail lift, personal injuries and material damage can occur.

- ▶ Before operating the tail lift, read chapter “General Operation” from p. 26.

Note: These instructions describe the standard range of products. Special product lines may differ from the descriptions in here or may have enhanced functions. For a detailed description of your product type, please contact our customer service.

Opening the Platform



- ▶ Loosen the platform interlock (if present).
- ▶ Turn the rotary switches **(28)** and **(29)** simultaneously downward and hold them down until the platform has reached the horizontal operating position.

Lowering the Platform



- ▶ Turn the rotary switches **(27)** and **(29)** simultaneously downward and hold them in this position until the platform has reached the ground.

Ground Adjustment



After the platform has touched the ground:

- ▶ Turn the rotary switches **(28)** and **(29)** simultaneously downward.

The platform tilts and adjusts flush to the ground.

Setting the Platform to its Horizontal Position



- ▶ Turn the rotary switches **(28)** and **(29)** simultaneously upward and hold them in this position until the platform has reached the horizontal position.

Lifting the Platform



- ▶ Turn the rotary switches **(27)** and **(29)** simultaneously upward and hold them in this position until the platform has reached the vehicle loading floor height.

Closing the Platform

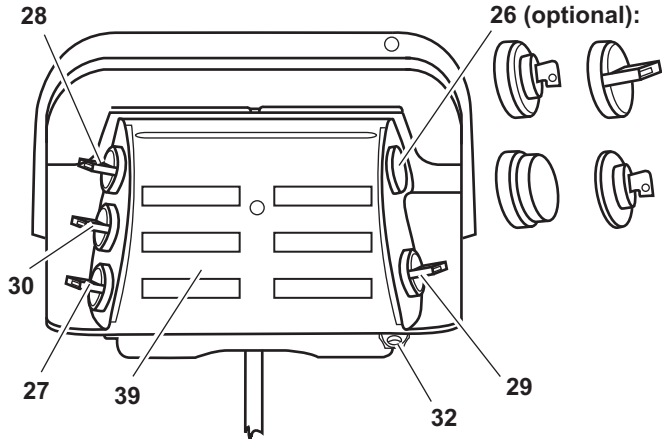


- ▶ Turn the rotary switches **(28)** and **(29)** simultaneously upward and hold them in this position until the platform is closed.

The platform moves to the vertical transport position.

- ▶ Close the platform interlock (if present).

A Operation Using Two-hand Control and Hydraulic Stabilizer Feet



- 26** Optional: key control, rotary switch, emergency-off pushbutton, E30 key
- 27** Rotary switch: lift/lower
- 28** Rotary switch: open/close
- 29** Rotary switch: additional pushbutton
- 30** Rotary switch: retract and extend
- 32** Locking lug
- 39** Operating panel

DANGER!



Risk of accidents and injury!

If the instructions in chapter “General Operation” are not observed during operation of the tail lift, personal injuries and material damage can occur.

- ▶ Before operating the tail lift, read chapter “General Operation” from p. 26.

Note: These instructions describe the standard range of products. Special product lines may differ from the descriptions in here or may have enhanced functions. For a detailed description of your product type, please contact our customer service.

Extending the Hydraulic Stabilizer Feet

- ▶ Turn the rotary switch (30) downward until the stabilizer feet are extended almost to the ground.

Opening the Platform



- ▶ Loosen the platform interlock (if present).
- ▶ Turn the rotary switches (27) and (29) simultaneously downward and hold them down until the platform has reached the horizontal operating position.

If an optional load safety device is present, the platform is lowered and then unfolds to the horizontal operating position.

Lowering the Platform



- ▶ Turn the rotary switches (27) and (29) simultaneously downward and hold them in this position until the platform has made contact with the ground.

After the platform has touched the ground it tilts and adjusts to the ground.

Lifting the Platform



- ▶ Turn the rotary switches (27) and (29) simultaneously upward and hold them in this position until the platform has reached the vehicle loading floor height.

The platform tilts to the horizontal or preset position before it is lifted.

Closing the Platform



- ▶ Turn the rotary switches (28) and (29) simultaneously upward and hold them in this position until the platform is closed.

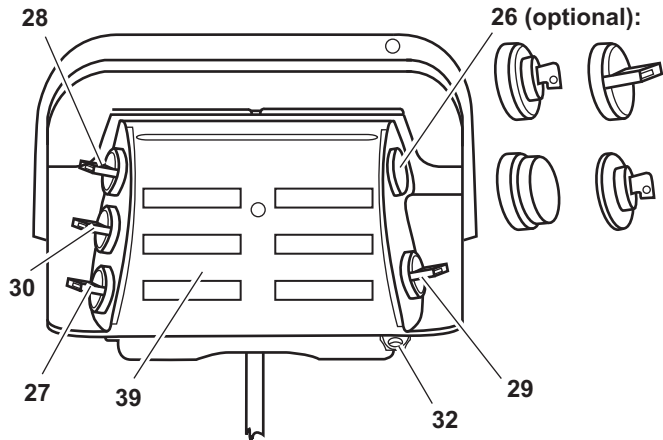
If an optional load safety device is present, the platform closes approximately to 80° and is lowered a small amount. Finally, it moves to the vertical transport position and is lifted into the load safety device.

- ▶ Close the platform interlock (if present).

Retracting the Hydraulic Stabilizer Feet

- ▶ Turn the rotary switch (30) upward until the stabilizer feet are completely retracted.

A Operation Using Two-hand Control with a Hydraulic Underrun Bumper



- 26 Optional: key control, rotary switch, emergency-off pushbutton, E30 key
- 27 Rotary switch: lift/lower
- 28 Rotary switch: open/close
- 29 Rotary switch: additional pushbutton
- 30 Rotary switch: lift/lower the underrun bumper
- 32 Locking lug
- 39 Operating panel

DANGER!



Risk of accidents and injury!

If the instructions in chapter "General Operation" are not observed during operation of the tail lift, personal injuries and material damage can occur.

- ▶ Before operating the tail lift, read chapter "General Operation" from p. 26.

Note: These instructions describe the standard range of products. Special product lines may differ from the descriptions in here or may have enhanced functions. For a detailed description of your product type, please contact our customer service.

Lifting the Hydraulic Underrun Bumper

- ▶ Turn the rotary switch (30) upwards until the underrun bumper has reached its upper end position.

Opening the Platform



- ▶ Loosen the platform interlock (if present).
- ▶ Turn the rotary switches (27) and (29) simultaneously downward and hold them down until the platform has reached the horizontal operating position.

If an optional load safety device is present, the platform is lowered and then unfolds to the horizontal operating position.

Lowering the Platform



- ▶ Turn the rotary switches (27) and (29) simultaneously downward and hold them in this position until the platform has made contact with the ground.

After the platform has touched the ground it tilts and adjusts to the ground.

Lifting the Platform



- ▶ Turn the rotary switches (27) and (29) simultaneously upward and hold them in this position until the platform has reached the vehicle loading floor height.

The platform tilts to the horizontal or preset position before it is lifted.

Closing the Platform



- ▶ Turn the rotary switches (28) and (29) simultaneously upward and hold them in this position until the platform is closed.

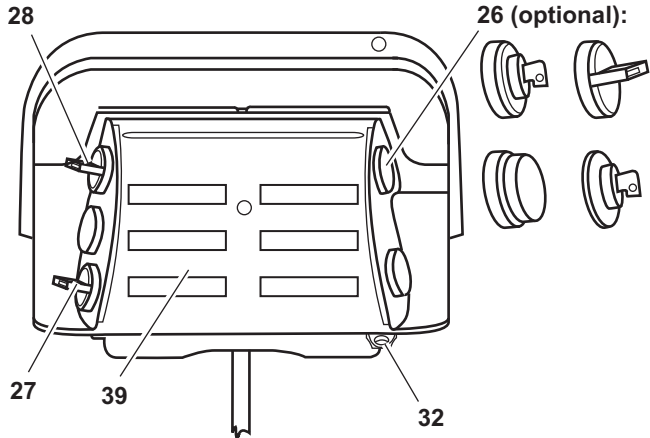
If an optional load safety device is present, the platform closes approximately to 80° and is lowered a small amount. Finally, it moves to the vertical transport position and is lifted into the load safety device.

- ▶ Close the platform interlock (if present).

Lowering the Hydraulic Underrun Bumper

- ▶ Turn the rotary switch (30) downwards until the underrun bumper has reached its lower end position.

A E Operation Using One-hand Control



26 Optional: key control, rotary switch, emergency-off pushbutton, E30 key

27 Rotary switch: lift/lower

28 Rotary switch: open/close

32 Locking lug

39 Operating panel

DANGER!



Risk of accidents and injury!

If the instructions in chapter “General Operation” are not observed during operation of the tail lift, personal injuries and material damage can occur.

- ▶ Before operating the tail lift, read chapter “General Operation” from p. 26.

Note:

These instructions describe the standard range of products. Special product lines may differ from the descriptions in here or may have enhanced functions. For a detailed description of your product type, please contact our customer service.

Opening the Platform



- ▶ Loosen the platform interlock (if present).
- ▶ Turn the rotary switch **(28)** downward and hold it in this position until the platform has reached the horizontal operating position.

If an optional load safety device is present, the platform is lowered and then unfolds to the horizontal operating position.

Lowering the Platform



- ▶ Turn the rotary switch **(27)** upward and hold it in this position until the platform is adjusted flush to the ground.

After the platform has touched the ground it tilts and adjusts to the ground.

Lifting the Platform



- ▶ Turn the rotary switch **(27)** upward and hold it in this position until the platform has reached the vehicle loading floor height.

The platform tilts to the horizontal or preset position before it is lifted.

Closing the Platform

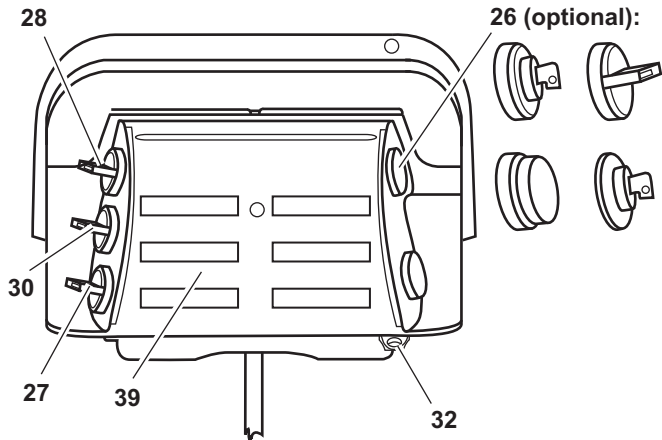


- ▶ Turn the rotary switch **(28)** upward and hold it in this position until the platform is closed.

If an optional load safety device is present, the platform closes approximately to 80° and is lowered a small amount. Finally, it moves to the vertical transport position and is lifted into the load safety device.

- ▶ Close the platform interlock (if present).

A Operation Using One-hand Control and Hydraulic Stabilizer Feet



- 26** Optional: key control, rotary switch, emergency-off pushbutton, E30 key
- 27** Rotary switch: lift/lower
- 28** Rotary switch: open/close
- 30** Rotary switch: retract and extend
- 32** Locking lug
- 39** Operating panel

DANGER!



Risk of accidents and injury!

If the instructions in chapter “General Operation” are not observed during operation of the tail lift, personal injuries and material damage can occur.

- ▶ Before operating the tail lift, read chapter “General Operation” from p. 26.

Note: These instructions describe the standard range of products. Special product lines may differ from the descriptions in here or may have enhanced functions. For a detailed description of your product type, please contact our customer service.

Extending the Hydraulic Stabilizer Feet

- ▶ Turn the rotary switch **(30)** downward until the stabilizer feet are extended almost to the ground.

Opening the Platform



- ▶ Loosen the platform interlock (if present).
- ▶ Turn the rotary switch **(28)** downward and hold it in this position until the platform has reached the horizontal operating position.

If an optional load safety device is present, the platform is lowered and then unfolds to the horizontal operating position.

Lowering the Platform



- ▶ Turn the rotary switch **(27)** upward and hold it in this position until the platform is adjusted flush to the ground.

After the platform has touched the ground it tilts and adjusts to the ground.

Lifting the Platform



- ▶ Turn the rotary switch **(27)** upward and hold it in this position until the platform has reached the vehicle loading floor height.

The platform tilts to the horizontal or preset position before it is lifted.

Closing the Platform



- ▶ Turn the rotary switch **(28)** upward and hold it in this position until the platform is closed.

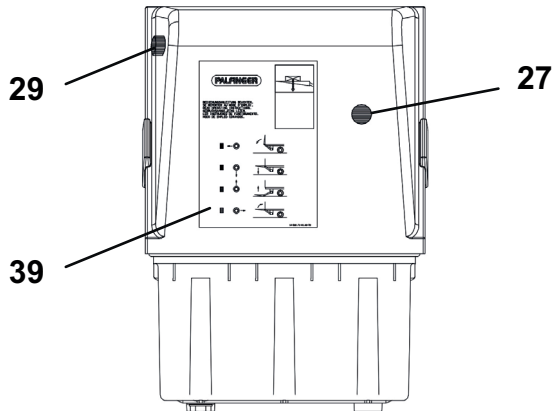
If an optional load safety device is present, the platform closes approximately to 80° and is lowered a small amount. Finally, it moves to the vertical transport position and is lifted into the load safety device.

- ▶ Close the platform interlock (if present).

Retracting the Hydraulic Stabilizer Feet

- ▶ Turn the rotary switch **(30)** upward until the stabilizer feet are completely retracted.

A Operation Using Joystick



- 27 Joystick: lift/lower/open/close
- 29 Pushbutton: additional pushbutton
- 39 Operating panel

DANGER!



Risk of accidents and injury!

If the instructions in chapter “General Operation” are not observed during operation of the tail lift, personal injuries and material damage can occur.

- ▶ Before operating the tail lift, read chapter “General Operation” from p. 26.

Note: These instructions describe the standard range of products. Special product lines may differ from the descriptions in here or may have enhanced functions. For a detailed description of your product type, please contact our customer service.

Opening the Platform



- ▶ Loosen the platform interlock (if present).
- ▶ Press the pushbutton **(29)** and simultaneously move the joystick **(27)** to the left (direction of travel right) or to the right (direction of travel left) and hold them in this position until the platform has reached the horizontal operating position.

Lowering the Platform



- ▶ Press the pushbutton **(29)** and simultaneously move the joystick downward and hold them in this position until the platform is adjusted flush to the ground.

After the platform has touched the ground it tilts and adjusts to the ground.

Lifting the Platform



- ▶ Press the pushbutton **(29)** and simultaneously move the joystick **(27)** upward and hold them in this position until the platform has reached the vehicle loading floor height.

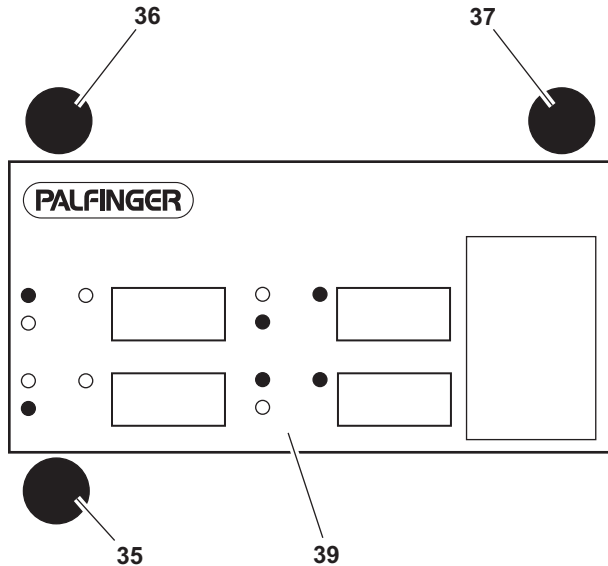
The platform tilts to the horizontal or preset position before it is lifted.

Closing the Platform



- ▶ Press the pushbutton **(29)** and simultaneously move the joystick **(27)** to the right (direction of travel right) or to the left (direction of travel left) and hold them in this position until the platform is completely closed.
- ▶ Close the platform interlock (if present).

C Operation Using Two-hand Control and Pushbuttons



- 35** Pushbutton: lower/lift
- 36** Pushbutton: open/close
- 37** Pushbutton: lift/close
- 39** Operating panel

DANGER!



Risk of accidents and injury!

If the instructions in chapter “General Operation” are not observed during operation of the tail lift, personal injuries and material damage can occur.

- ▶ Before operating the tail lift, read chapter “General Operation” from p. 26.

Note: These instructions describe the standard range of products. Special product lines may differ from the descriptions in here or may have enhanced functions. For a detailed description of your product type, please contact our customer service.

Opening the Platform



- ▶ Loosen the platform interlock (if present).
- ▶ Press and hold pushbutton **(36)** until the platform has reached the horizontal operating position.

Lowering the Platform



- ▶ Press and hold pushbutton **(35)** until the platform has made contact with the ground.

After the platform has touched the ground it tilts and adjusts to the ground.

Lifting the Platform



- ▶ Press and hold pushbuttons **(35)** and **(37)** simultaneously until the platform has reached the vehicle loading floor height.

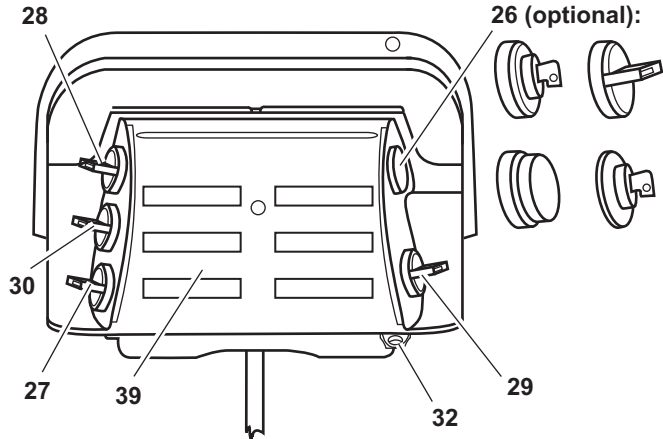
The platform tilts to the horizontal or preset position before it is lifted.

Closing the Platform



- ▶ Press and hold pushbuttons **(36)** and **(37)** simultaneously until the platform has reached the vertical transport position.
- ▶ Close the platform interlock (if present).

F Operation Using Two-hand Control



- 26** Optional: key control, rotary switch, emergency-off pushbutton, E30 key
- 27** Rotary switch: lift/lower
- 28** Rotary switch: open/close
- 29** Rotary switch: additional pushbutton
- 30** Rotary switch: Retract and extend
- 32** Locking lug
- 39** Operating panel

DANGER!



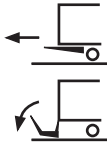
Risk of accidents and injury!

If the instructions in chapter "General Information" are not observed during operation of the tail lift, personal injuries and material damage can occur.

- ▶ Before operating the tail lift, read chapter "General Operation" from p. 26.

Note: These instructions describe the standard range of products. Special product lines may differ from the descriptions in here or may have enhanced functions. For a detailed description of your product type, please contact our customer service.

Extending and Folding Out the Platform



- ▶ Loosen the platform interlock (if present).
- ▶ Turn the rotary switches **(27)** and **(29)** simultaneously downward and hold them in this position until the platform has been lowered.

The platform is lowered so that it can be extended without obstruction.
- ▶ Turn the rotary switch **(30)** downward and hold it in this position until the platform is completely extended.
- ▶ Turn the rotary switches **(27)** and **(29)** simultaneously downward and hold them in this position until the folded platform has made contact with the ground.
- ▶ Protect your hands with gloves.
- ▶ Pull the handle with both hands to unfold the folding part of the platform.

Lowering the Platform



- ▶ Turn the rotary switches **(27)** and **(29)** simultaneously downward and hold them in this position until the platform has made contact with the ground and is adjusted flush to the ground.

After the platform has touched the ground it tilts and adjusts to the ground.

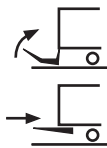
Lifting the Platform



- ▶ Turn the rotary switches **(27)** and **(29)** simultaneously upward and hold them in this position until the platform has reached the vehicle loading floor height.

The platform tilts to the horizontal or preset position before it is lifted into the loading position.

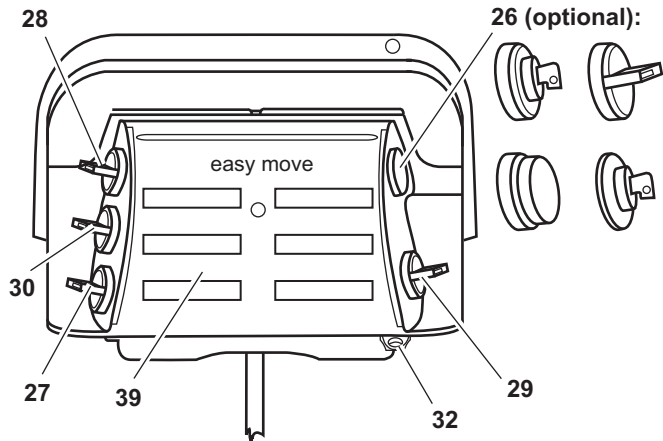
Folding In and Retracting the Platform



- ▶ Protect your hands with gloves.
- ▶ Pull the handle with both hands to fold back the folding part of the platform.
- ▶ Close the platform interlock (if present).
- ▶ Turn the rotary switches **(27)** and **(29)** simultaneously upward and hold them in this position until the platform has reached the retraction height.

- ▶ Turn the rotary switch **(30)** upward and hold it in this position until the platform is completely retracted. Observe that the platform can be retracted without obstruction.
- ▶ Turn the rotary switches **(27)** and **(29)** simultaneously upward and hold them in this position until the platform has reached the vibration safeguard.

F Operation with Two-hand Control easy move®



- 26 Optional: key control, rotary switch, emergency-off pushbutton, E30 key
- 27 Rotary switch: lift/lower
- 28 Rotary switch: open/close
- 29 Rotary switch: additional pushbutton
- 30 Rotary switch: Retract and extend
- 32 Locking lug
- 39 Operating panel

DANGER!



Risk of accidents and injury!

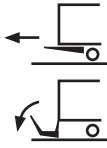
If the instructions in chapter "General Information" are not observed during operation of the tail lift, personal injuries and material damage can occur.

- Before operating the tail lift, read chapter "General Operation" from p. 26.

Note:

These instructions describe the standard range of products. Special product lines may differ from the descriptions in here or may have enhanced functions. For a detailed description of your product type, please contact our customer service.

Extending and Folding Out the Platform



- ▶ Loosen the platform interlock (if present).
- ▶ Turn the rotary switch **(30)** downward and hold it in this position until the platform is extended.

The platform is lowered so that it can be extended without obstruction and is extended.

- ▶ Turn the rotary switches **(27)** and **(29)** simultaneously downward and hold them in this position until the folded platform has made contact with the ground.
- ▶ Protect your hands with gloves.
- ▶ Pull the handle with both hands to unfold the folding part of the platform.

Lowering the Platform



- ▶ Turn the rotary switches **(27)** and **(29)** simultaneously downward and hold them in this position until the platform has made contact with the ground and is adjusted flush to the ground.

After the platform has touched the ground it tilts and adjusts to the ground.

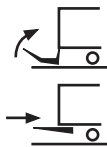
Lifting the Platform



- ▶ Turn the rotary switches **(27)** and **(29)** simultaneously upward and hold them in this position until the platform has reached the vehicle loading floor height.

The platform tilts to the horizontal or preset position before it is lifted into the loading position.

Folding In and Retracting the Platform

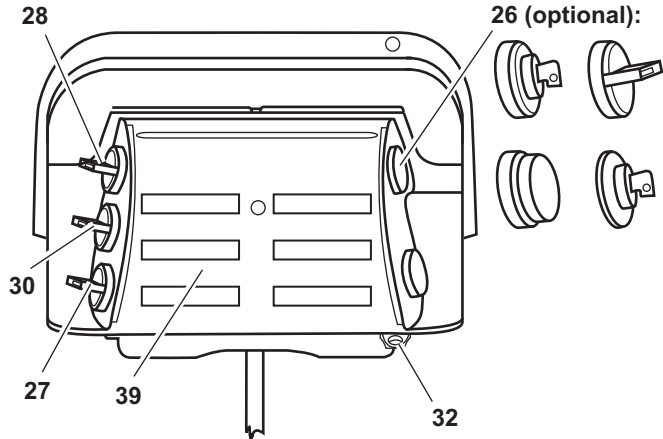


- ▶ Protect your hands with gloves.
- ▶ Pull the handle with both hands to fold back the folding part of the platform.
- ▶ Turn the rotary switch **(30)** upward and hold it in this position until the platform is completely retracted. Observe that the platform can be retracted without obstruction.

The folded platform lifts or lowers automatically until the optimum retraction position is reached. The platform then retracts until the end position and lifts into the vibration safeguard.

- ▶ Close the platform interlock (if present).

F Operation with One-hand Control



- 26** Optional: key control, rotary switch, emergency-off pushbutton, E30 key
- 27** Rotary switch: lift/lower
- 28** Rotary switch: open/close
- 30** Rotary switch: Retract and extend
- 32** Locking lug
- 39** Operating panel

DANGER!



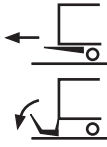
Risk of accidents and injury!

If the instructions in chapter "General Information" are not observed during operation of the tail lift, personal injuries and material damage can occur.

- ▶ Before operating the tail lift, read chapter "General Operation" from p. 26.

Note: These instructions describe the standard range of products. Special product lines may differ from the descriptions in here or may have enhanced functions. For a detailed description of your product type, please contact our customer service.

Extending and Folding Out the Platform



- ▶ Loosen the platform interlock (if present).
- ▶ Turn the rotary switch (27) downward and hold it in this position until the platform has been lowered.

The platform is lowered so that it can be extended without obstruction.

- ▶ Turn the rotary switch (30) downward and hold it in this position until the platform is completely extended.
- ▶ Turn the rotary switch (27) downward and hold it in this position until the folded platform has touched the ground.
- ▶ Protect your hands with gloves.
- ▶ Pull the handle with both hands to unfold the folding part of the platform.

Lowering the Platform



- ▶ Turn the rotary switch (27) downward and hold it in this position until the platform has made contact with the ground and is adjusted flush to the ground.

After the platform has touched the ground it tilts and adjusts to the ground.

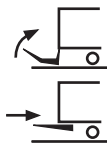
Lifting the Platform



- ▶ Turn the rotary switch (27) upward and hold it in this position until the platform has reached the vehicle loading floor height.

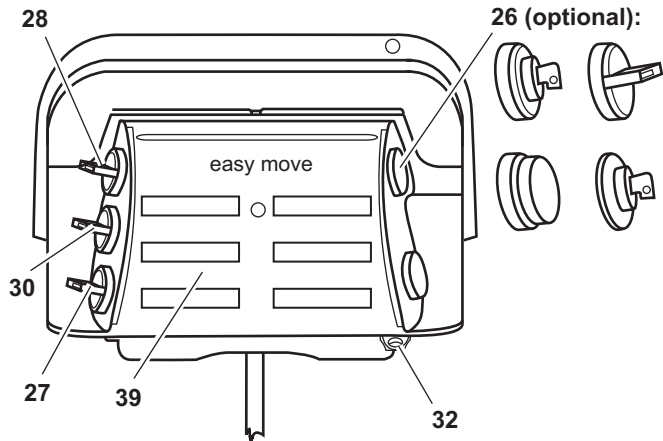
The platform tilts to the horizontal or preset position before it is lifted into the loading position.

Folding In and Retracting the Platform



- ▶ Protect your hands with gloves.
- ▶ Pull the handle with both hands to fold back the folding part of the platform.
- ▶ Turn the rotary switch (27) upward and hold it in this position until the platform has reached the retraction height.
- ▶ Turn the rotary switch (30) upward and hold it in this position until the platform is completely retracted. Observe that the platform can be retracted without obstruction.
- ▶ Turn the rotary switch (27) upward and hold it in this position until the platform has reached the vibration safeguard.
- ▶ Close the platform interlock (if present).

F Operation with One-hand Control easy move®



- 26 Optional: key control, rotary switch, emergency-off pushbutton, E30 key
- 27 Rotary switch: lift/lower
- 28 Rotary switch: open/close
- 30 Rotary switch: Retract and extend
- 32 Locking lug
- 39 Operating panel

DANGER!



Risk of accidents and injury!

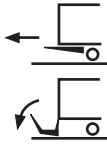
If the instructions in chapter "General Information" are not observed during operation of the tail lift, personal injuries and material damage can occur.

- Before operating the tail lift, read chapter "General Operation" from p. 26.

Note:

These instructions describe the standard range of products. Special product lines may differ from the descriptions in here or may have enhanced functions. For a detailed description of your product type, please contact our customer service.

Extending and Folding Out the Platform



- ▶ Loosen the platform interlock (if present).
- ▶ Turn the rotary switch **(30)** downward and hold it in this position until the platform is extended.

The platform is lowered so that it can be extended without obstruction and is extended.

- ▶ Turn the rotary switch **(27)** downward and hold it in this position until the folded platform has touched the ground.
- ▶ Protect your hands with gloves.
- ▶ Pull the handle with both hands to unfold the folding part of the platform.

Lowering the Platform



- ▶ Turn the rotary switch **(27)** downward and hold it in this position until the platform has made contact with the ground and is adjusted flush to the ground.

After the platform has touched the ground it tilts and adjusts to the ground.

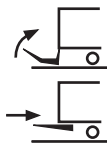
Lifting the Platform



- ▶ Turn the rotary switch **(27)** upward and hold it in this position until the platform has reached the vehicle loading floor height.

The platform tilts to the horizontal or preset position before it is lifted into the loading position.

Folding In and Retracting the Platform

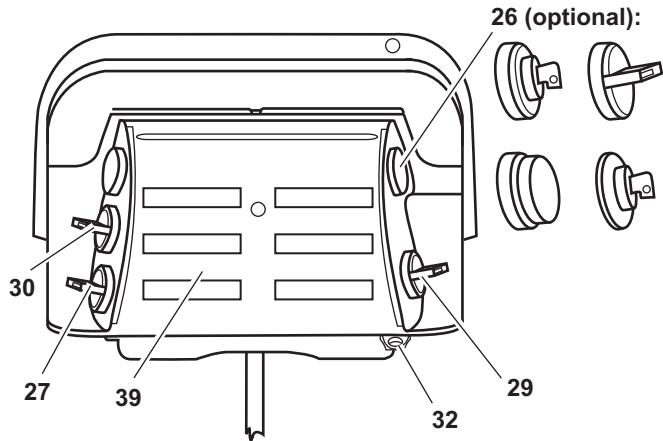


- ▶ Protect your hands with gloves.
- ▶ Pull the handle with both hands to fold back the folding part of the platform.
- ▶ Turn the rotary switch **(30)** upward and hold it in this position until the platform is completely retracted. Observe that the platform can be retracted without obstruction.

The folded platform lifts or lowers automatically until the optimum retraction position is reached. The platform then retracts until the end position and lifts into the vibration safe-guard.

- ▶ Close the platform interlock (if present).

F Operation Using Two-hand Control for MBB R 1500 L FLAT



- 26** Optional: Key control, rotary switch, emergency-off pushbutton, E30 key
- 27** Rotary switch: lift/lower
- 29** Rotary switch: additional pushbutton
- 30** Rotary switch: Retract and extend
- 32** Locking lug
- 39** Operating panel

DANGER!



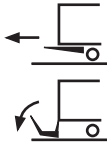
Risk of accidents and injury!

If the instructions in chapter "General Information" are not observed during operation of the tail lift, personal injuries and material damage can occur.

- ▶ Before operating the tail lift, read chapter "General Operation" from p. 26.

Note: These instructions describe the standard range of products. Special product lines may differ from the descriptions in here or may have enhanced functions. For a detailed description of your product type, please contact our customer service.

Extending and Folding Out the Platform



- ▶ Loosen the platform interlock (if present).
- ▶ Turn the rotary switches **(27)** and **(29)** simultaneously downward and hold them in this position until the platform has been lowered.
The platform is lowered so that it can be extended without obstruction.
- ▶ Turn the rotary switch **(30)** downward and hold it in this position until the platform is completely extended.
- ▶ Turn the rotary switches **(27)** and **(29)** simultaneously downward and hold them in this position until the folded platform has made contact with the ground.
- ▶ Protect your hands with gloves.
- ▶ Pull the handle with both hands to unfold the folding part of the platform.

Lowering the Platform



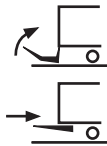
- ▶ Turn the rotary switches **(27)** and **(29)** simultaneously downward and hold them in this position until the platform has made contact with the ground and is adjusted flush to the ground.

Lifting the Platform



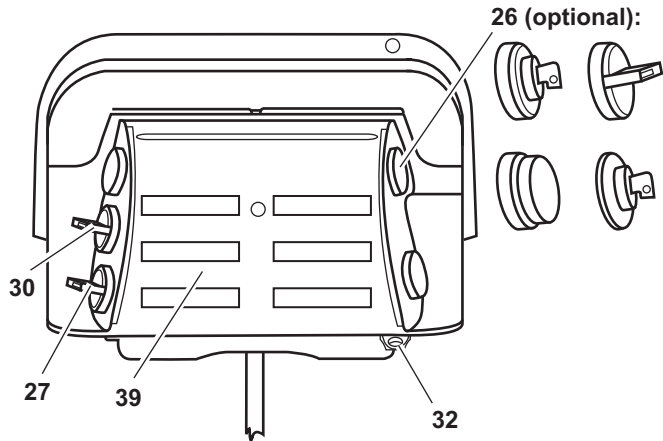
- ▶ Turn the rotary switches **(27)** and **(29)** simultaneously upward and hold them in this position until the platform has reached the vehicle loading floor height.

Folding In and Retracting the Platform



- ▶ Protect your hands with gloves.
- ▶ Pull the handle with both hands to fold back the folding part of the platform.
- ▶ Close the platform interlock (if present).
- ▶ Turn the rotary switches **(27)** and **(29)** simultaneously upward and hold them in this position until the platform has reached the retraction height.
- ▶ Turn the rotary switch **(30)** upward and hold it in this position until the platform is completely retracted. Observe that the platform can be retracted without obstruction.
- ▶ Turn the rotary switches **(27)** and **(29)** simultaneously upward and hold them in this position until the platform has reached the vibration safeguard.

F Operation Using One-Hand Control for MBB R 1500 L FLAT



- 26** Optional: key control, rotary switch, emergency-off pushbutton, E30 key
- 27** Rotary switch: lift/lower
- 30** Rotary switch: Retract and extend
- 32** Locking lug
- 39** Operating panel

DANGER!



Risk of accidents and injury!

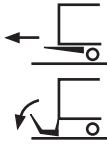
If the instructions in chapter "General Information" are not observed during operation of the tail lift, personal injuries and material damage can occur.

- ▶ Before operating the tail lift, read chapter "General Operation" from p. 26.

Note:

These instructions describe the standard range of products. Special product lines may differ from the descriptions in here or may have enhanced functions. For a detailed description of your product type, please contact our customer service.

Extending and Folding Out the Platform



- ▶ Loosen the platform interlock (if present).
- ▶ Turn the rotary switch **(27)** downward and hold it in this position until the platform has been lowered.

The platform is lowered so that it can be extended without obstruction.

- ▶ Turn the rotary switch **(30)** downward and hold it in this position until the platform is completely extended.
- ▶ Turn the rotary switch **(27)** downward and hold it in this position until the folded platform has touched the ground.
- ▶ Protect your hands with gloves.
- ▶ Pull the handle with both hands to unfold the folding part of the platform.

Lowering the Platform



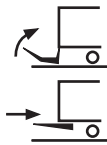
- ▶ Turn the rotary switch **(27)** downward and hold it in this position until the platform has made contact with the ground and is adjusted flush to the ground.

Lifting the Platform



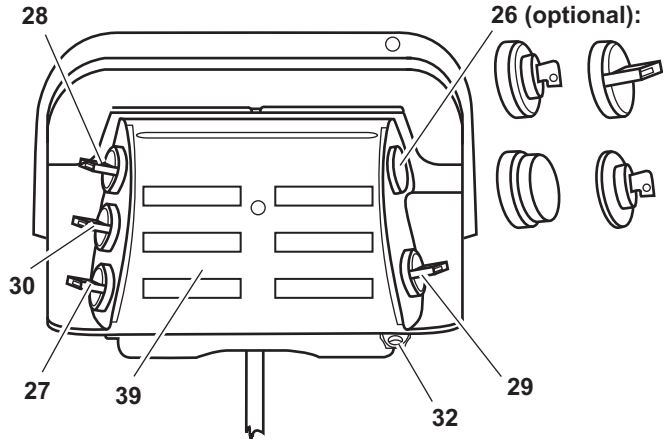
- ▶ Turn the rotary switch **(27)** upward and hold it in this position until the platform has reached the vehicle loading floor height.

Folding In and Retracting the Platform



- ▶ Protect your hands with gloves.
- ▶ Pull the handle with both hands to fold back the folding part of the platform.
- ▶ Turn the rotary switch **(27)** upward and hold it in this position until the platform has reached the retraction height.
- ▶ Turn the rotary switch **(30)** upward and hold it in this position until the platform is completely retracted. Observe that the platform can be retracted without obstruction.
- ▶ Turn the rotary switch **(27)** upward and hold it in this position until the platform has reached the vibration safeguard.
- ▶ Close the platform interlock (if present).

G Operation Using Two-hand Control for MBB R 1500 SH - R 2000 LH (Double-folded Platform with Cross Member)



- 26** Optional: key control, rotary switch, emergency-off pushbutton, E30 key
- 27** Rotary switch: lift/lower
- 28** Rotary switch: open/close
- 29** Rotary switch: additional pushbutton
- 30** Rotary switch: retract and extend
- 32** Locking lug
- 39** Operating panel

DANGER!



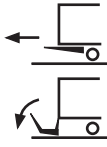
Risk of accidents and injury!

If the instructions in chapter “General Operation” are not observed during operation of the tail lift, personal injuries and material damage can occur.

- Before operating the tail lift, read chapter “General Operation” from p. 26.

Note: These instructions describe the standard range of products. Special product lines may differ from the descriptions in here or may have enhanced functions. For a detailed description of your product type, please contact our customer service.

Extending and Folding Out the Platform



- ▶ Loosen the platform interlock (if present).
- ▶ Turn the rotary switch **(30)** downward and hold it in this position until the platform is folded out once.

The platform is slightly lowered and then extends. Subsequently it is lowered to the ground and unfolds once.

- ▶ Protect your hands with gloves.
- ▶ Pull the handle with both hands to unfold the folding part of the platform.

Lifting the Platform



- ▶ Turn the rotary switches **(27)** and **(29)** simultaneously upward and hold them in this position until the platform has reached the vehicle loading floor height.

The platform tilts to the horizontal or preset position before it is lifted into the loading position.

Lowering the Platform



- ▶ Turn the rotary switches **(27)** and **(29)** simultaneously downward and hold them in this position until the platform has made contact with the ground and is adjusted flush to the ground.

After the platform has touched the ground it tilts and adjusts to the ground.

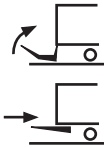
Setting the BDF Position

- ▶ Turn the rotary switches **(27)** and **(29)** simultaneously upward and hold them in this position until the platform has reached the vehicle loading floor height.
- ▶ Turn the rotary switch **(30)** upward and hold it in this position until the platform has reached the loading position.
- ▶ Shift the movable stop on the guide rail until the outer initiator is dampened.

Moving to the BDF Position

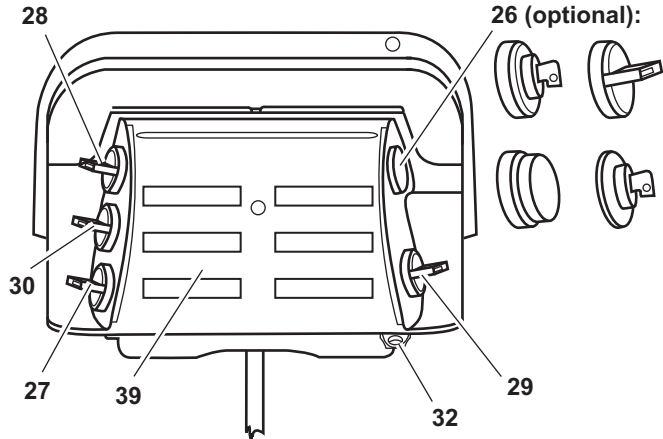
- ▶ Turn the rotary switches **(27)** and **(29)** simultaneously upward and hold them in this position until the torsion frame is located above its horizontal position.
- ▶ Turn the rotary switch **(30)** upwards.
The platform moves to the preset BDF position.
- ▶ Turn the rotary switches **(27)** and **(29)** simultaneously upward and hold them in this position until the platform has reached the loading position.

Folding In and Retracting the Platform



- ▶ Turn the rotary switches **(27)** and **(29)** simultaneously downward and hold them in this position until the platform has reached the ground.
- ▶ Protect your hands with gloves.
- ▶ Pull the handle with both hands to fold back the folding part of the platform.
- ▶ Close the platform interlock (if present).
- ▶ Turn the rotary switch **(30)** upward and hold it in this position until the platform has reached the vibration safeguard.
The platform automatically folds over and then lifts into the retraction position. Subsequently it retracts completely and lifts into the vibration safeguard.

G Operation Using Two-hand Control for MBB R 750 SM - R 2000 LM (Double-folded Platform without Cross Member)



- 26 Optional: key control, rotary switch, emergency-off pushbutton, E30 key
- 27 Rotary switch: lift/lower
- 28 Rotary switch: open/close
- 29 Rotary switch: additional pushbutton
- 30 Rotary switch: retract and extend
- 32 Locking lug
- 39 Operating panel

DANGER!



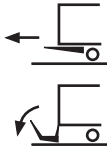
Risk of accidents and injury!

If the instructions in chapter “General Operation” are not observed during operation of the tail lift, personal injuries and material damage can occur.

- Before operating the tail lift, read chapter “General Operation” from p. 26.

Note: These instructions describe the standard range of products. Special product lines may differ from the descriptions in here or may have enhanced functions. For a detailed description of your product type, please contact our customer service.

Extending and Folding Out the Platform



- ▶ Loosen the platform interlock (if present).
- ▶ Turn the rotary switch **(30)** downward and hold it in this position until the platform has reached the vertical position.
The platform is slightly lowered and then extends. Subsequently it lowers to the ground and tilts into an approximate vertical position.
- ▶ Protect your hands with gloves.
- ▶ Swivel the platform with both hands forward by approximately 20°.
- ▶ Turn the rotary switch **(30)** downward and hold it in this position until the platform touches the ground.
The platform lowers to the ground and then unfolds once.
- ▶ Protect your hands with gloves.
- ▶ Pull the handle with both hands to unfold the second folding part of the platform.

Lifting the Platform



- ▶ Turn the rotary switches **(27)** and **(29)** simultaneously upward and hold them in this position until the platform has reached the vehicle loading floor height.
The platform tilts to the horizontal or preset position before it is lifted into the loading position.

Lowering the Platform



- ▶ Turn the rotary switches **(27)** and **(29)** simultaneously downward and hold them in this position until the platform has made contact with the ground and is adjusted flush to the ground.
After the platform has touched the ground it tilts and adjusts to the ground.

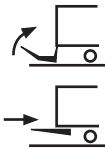
Setting the BDF Position

- ▶ Turn the rotary switches **(27)** and **(29)** simultaneously upward and hold them in this position until the platform has reached the vehicle loading floor height.
- ▶ Turn the rotary switch **(30)** upward and hold it in this position until the platform has reached the loading position.
- ▶ Shift the movable stop on the guide rail until the outer initiator is dampened.

Moving to the BDF Position

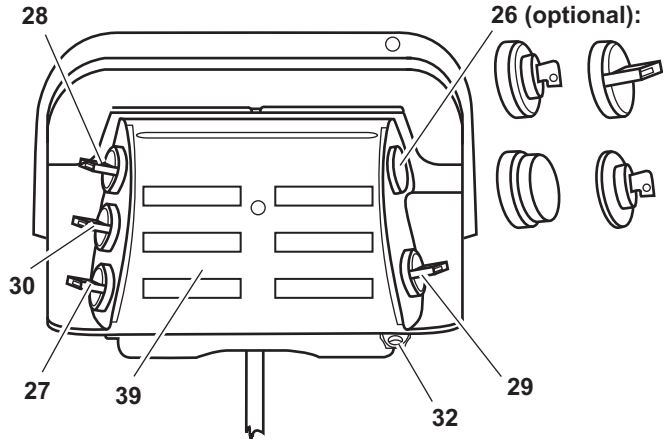
- ▶ Turn the rotary switches **(27)** and **(29)** simultaneously upward and hold them in this position until the torsion frame is located above its horizontal position.
- ▶ Turn the rotary switch **(30)** upwards.
The platform moves to the preset BDF position.
- ▶ Turn the rotary switches **(27)** and **(29)** simultaneously upward and hold them in this position until the platform has reached the loading position.

Folding In and Retracting the Platform



- ▶ Turn the rotary switches **(27)** and **(29)** simultaneously downward and hold them in this position until the platform has reached the ground.
- ▶ Protect your hands with gloves.
- ▶ Fold in the link bridge (if present).
- ▶ Pull the handle with both hands to fold back the folding part of the platform.
- ▶ Turn the rotary switch **(30)** upward and hold it in this position until the platform has reached the vertical position.
- ▶ Tilt the platform with both hands forward by approximately 20°.
- ▶ Turn the rotary switch **(30)** upward and hold it in this position until the platform has reached the vibration safeguard.
After the platform folded over automatically, it lifts itself into the vibration safeguard.
- ▶ Close the platform interlock (if present).

G Operation Using Two-hand Control for MBB R 750 SM - R 2000 LM (Double-folded Platform with Cross Member)



- 26** Optional: key control, rotary switch, emergency-off pushbutton, E30 key
- 27** Rotary switch: lift/lower
- 28** Rotary switch: open/close
- 29** Rotary switch: additional pushbutton
- 30** Rotary switch: retract and extend
- 32** Locking lug
- 39** Operating panel

DANGER!



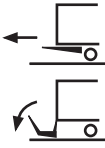
Risk of accidents and injury!

If the instructions in chapter “General Operation” are not observed during operation of the tail lift, personal injuries and material damage can occur.

- Before operating the tail lift, read chapter “General Operation” from p. 26.

Note: These instructions describe the standard range of products. Special product lines may differ from the descriptions in here or may have enhanced functions. For a detailed description of your product type, please contact our customer service.

Extending and Folding Out the Platform



- ▶ Loosen the platform interlock (if present).
- ▶ Turn the rotary switches **(27)** and **(29)** simultaneously downward and hold them in this position until the platform has been lowered.
The platform is lowered so that it can be extended without obstruction.
- ▶ Turn the rotary switch **(30)** downward and hold it in this position until the platform is completely extended.
- ▶ Turn the rotary switches **(27)** and **(29)** simultaneously downward and hold them in this position until the folded platform has made contact with the ground.
- ▶ Protect your hands with gloves.
- ▶ Pull the platform edge with both hands to unfold the platform to the rear.
- ▶ Pull the folding part of the platform with both hands to unfold it to the rear.

Lowering the Platform

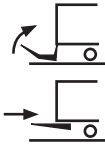


- ▶ Turn the rotary switches **(27)** and **(29)** simultaneously downward and hold them in this position until the platform has made contact with the ground and is adjusted flush to the ground.
After the platform has touched the ground it tilts and adjusts to the ground.

Lifting the Platform



- ▶ Turn the rotary switches **(27)** and **(29)** simultaneously upward and hold them in this position until the platform has reached the vehicle loading floor height.
The platform tilts to the horizontal or preset position before it is lifted into the loading position.

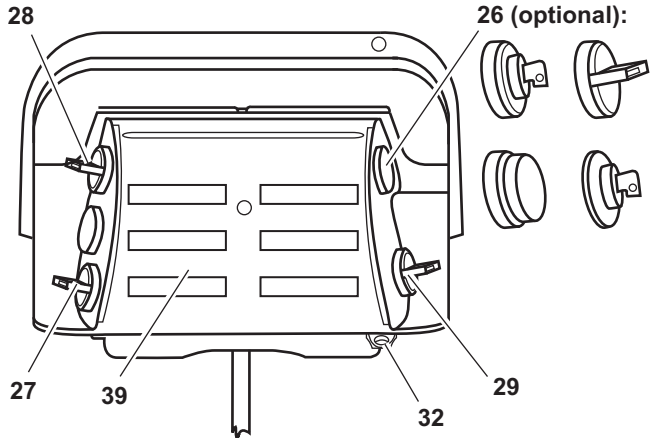


Folding In and Retracting the Platform

- ▶ Protect your hands with gloves.
- ▶ Grasp the platform edge with both hands to fold back the platform.
- ▶ Pull the folding part of the platform with both hands to fold it back.
- ▶ Close the platform interlock (if present).
- ▶ Swivel the platform up to the roller at the support tube.
- ▶ Turn the rotary switches **(27)** and **(29)** simultaneously upward and hold them in this position until the platform has reached the retraction height.
- ▶ Turn the rotary switch **(30)** upward and hold it in this position until the platform is completely retracted. Observe that the platform can be retracted without obstruction.

Turn the rotary switches **(27)** and **(29)** simultaneously upward and hold them in this position until the platform has reached the vibration safeguard.

K Operation Using Two-hand Control



26 Optional: key control, rotary switch, emergency-off pushbutton, E30 key

27 Rotary switch: lift/lower

28 Rotary switch: open/close

29 Rotary switch: additional pushbutton

32 Locking lug

39 Operating panel

DANGER!



Risk of accidents and injury!

If the instructions in chapter “General Operation” are not observed during operation of the tail lift, personal injuries and material damage can occur.

- ▶ Before operating the tail lift, read chapter “General Operation” from p. 26.

Note:

These instructions describe the standard range of products. Special product lines may differ from the descriptions in here or may have enhanced functions. For a detailed description of your product type, please contact our customer service.

Folding Out the Platform



- ▶ Loosen the platform interlock (if present).
- ▶ Turn the rotary switches **(27)** and **(29)** simultaneously downward and hold them in this position until the platform has almost reached the vertical position.

The platform is lowered slightly and then tilts via the guide pulley almost to the vertical position.

- ▶ Protect your hands with gloves.
- ▶ Pull the handle with both hands to fold out the platform to the rear.
- ▶ Turn the rotary switches **(28)** and **(29)** simultaneously downward and hold them in this position until the platform has reached the horizontal position.
- ▶ Fold the folding part of the platform with both hands to the operating position.

Lowering the Platform



- ▶ Turn the rotary switches **(27)** and **(29)** simultaneously downward and hold them in this position until the platform has made contact with the ground.

After the platform has touched the ground it tilts and adjusts to the ground.

Lifting the Platform



- ▶ Turn the rotary switches **(27)** and **(29)** simultaneously upward and hold them in this position until the platform has reached the loading position.

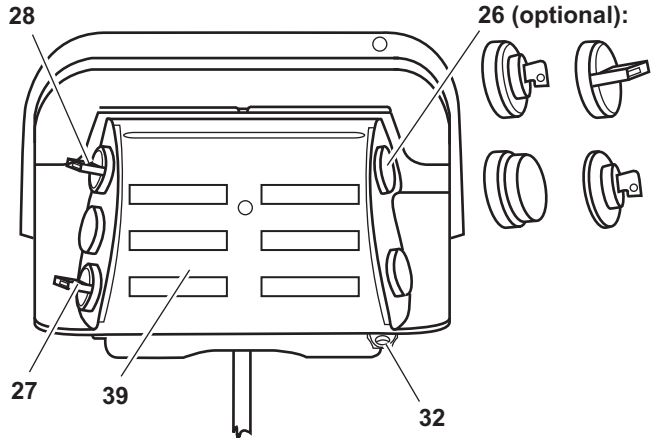
Folding In the Platform



- ▶ Make sure that the platform is in horizontal position touching the ground.
- ▶ Protect your hands with gloves.
- ▶ Unfold the folding part of the platform with both hands from the operating position onto the stationary part of the platform.
- ▶ Turn the rotary switches **(28)** and **(29)** simultaneously upward and hold them in this position until the platform has reached the vertical position.
- ▶ Protect your hands with gloves.

- ▶ Use both hands to push the platform against the guide pulley.
- ▶ Turn the rotary switches **(27)** and **(29)** simultaneously upward and hold them in this position until the platform has reached the transport position.
- ▶ Close the platform interlock (if present).

K Operation Using One-hand Control



26 Optional: key control, rotary switch, emergency-off pushbutton, E30 key

27 Rotary switch: lift/lower

28 Rotary switch: open/close

32 Locking lug

39 Operating panel

DANGER!



Risk of accidents and injury!

If the instructions in chapter “General Operation” are not observed during operation of the tail lift, personal injuries and material damage can occur.

- ▶ Before operating the tail lift, read chapter “General Operation” from p. 26.

Note: These instructions describe the standard range of products. Special product lines may differ from the descriptions in here or may have enhanced functions. For a detailed description of your product type, please contact our customer service.

Folding Out the Platform



- ▶ Loosen the platform interlock (if present).
- ▶ Turn the rotary switch **(27)** downward and hold it in this position until the platform has reached the vertical position.
The platform is lowered slightly and then tilts via the guide pulley almost to the vertical position.
- ▶ Protect your hands with gloves.
- ▶ Pull the handle with both hands to fold out the platform to the rear.
- ▶ Turn the rotary switch **(28)** downward and hold it in this position until the platform has reached the horizontal position.
- ▶ Fold the folding part of the platform with both hands to the operating position.

Lifting the Platform



- ▶ Turn the rotary switch **(27)** upward and hold it in this position until the platform has reached the loading position.

Lowering the Platform

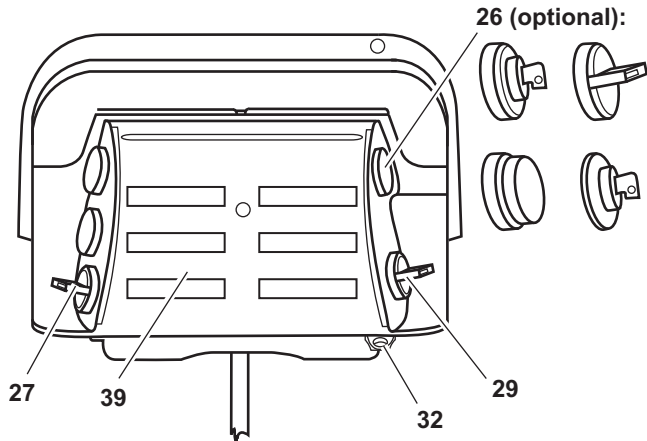


- ▶ Turn the rotary switch **(27)** upward and hold it in this position until the platform is adjusted flush to the ground.
After the platform has touched the ground it tilts and adjusts to the ground.

Folding In the Platform



- ▶ Make sure that the platform is in horizontal position touching the ground.
- ▶ Protect your hands with gloves.
- ▶ Unfold the folding part of the platform with both hands from the operating position onto the stationary part of the platform.
- ▶ Turn the rotary switch **(28)** upward and hold it in this position until the platform has reached the vertical position.
The platform tilts from the horizontal to the vertical position.
- ▶ Protect your hands with gloves.
- ▶ Use both hands to push the platform against the guide pulley.
- ▶ Turn the rotary switch **(27)** upward and hold it in this position until the platform has reached the transport position.
- ▶ Close the platform interlock (if present).

B L M Operation Using Two-hand Control

- 26** Optional: key control, rotary switch, emergency-off pushbutton, E30 key
- 27** Rotary switch: lift/lower
- 29** Rotary switch: additional pushbutton
- 32** Locking lug
- 39** Operating panel

DANGER!**Risk of accidents and injury!**

If the instructions in chapter “General Operation” are not observed during operation of the tail lift, personal injuries and material damage can occur.

- ▶ Before operating the tail lift, read chapter “General Operation” from p. 26.

Note: These instructions describe the standard range of products. Special product lines may differ from the descriptions in here or may have enhanced functions. For a detailed description of your product type, please contact our customer service.

Folding Out the Platform



- ▶ Loosen the platform interlock (if present).
- ▶ Turn the rotary switches **(27)** and **(29)** simultaneously downward and hold them in this position until the platform has made contact with the ground.
- ▶ Protect your hands with gloves.
- ▶ Pull the handle with both hands to unfold the folding part of the platform.

Lifting the Platform



- ▶ Turn the rotary switches **(27)** and **(29)** simultaneously upward and hold them in this position until the platform has reached the loading position.

The platform tilts to the horizontal or preset position and is then lifted.

Lowering the Platform



- ▶ Turn the rotary switches **(27)** and **(29)** simultaneously downward and hold them in this position until the platform has made contact with the ground.

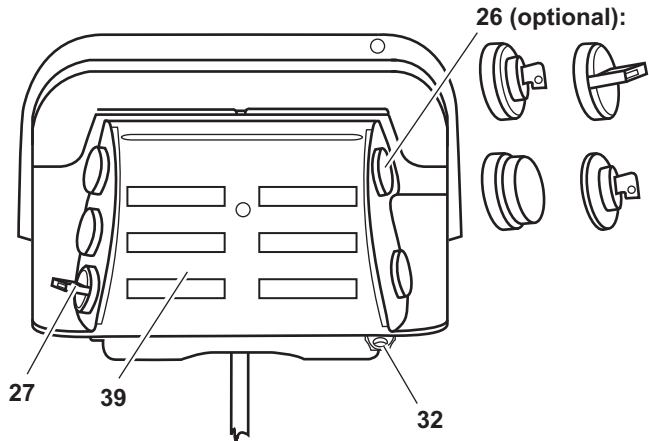
After the platform has touched the ground it tilts and adjusts to the ground.

Folding In the Platform



- ▶ Make sure that the platform is in horizontal position touching the ground.
- ▶ Protect your hands with gloves.
- ▶ Unfold the folding part of the platform with both hands from the operating position onto the stationary part of the platform.
- ▶ Close the platform interlock (if present).
- ▶ Swivel the platform up to the roller at the support tube.
- ▶ Turn the rotary switches **(27)** and **(29)** simultaneously upward and hold them in this position until the platform is folded away under the vehicle.

The platform lifts and is moved under the vehicle.

B L M Operation Using One-hand Control

- 26** Optional: key control, rotary switch, emergency-off pushbutton, E30 key
- 27** Rotary switch: lift/lower
- 32** Locking lug
- 39** Operating panel

DANGER!**Risk of accidents and injury!**

If the instructions in chapter “General Operation” are not observed during operation of the tail lift, personal injuries and material damage can occur.

- ▶ Before operating the tail lift, read chapter “General Operation” from p. 26.

Note:

These instructions describe the standard range of products. Special product lines may differ from the descriptions in here or may have enhanced functions. For a detailed description of your product type, please contact our customer service.

Folding Out the Platform



- ▶ Loosen the platform interlock (if present).
- ▶ Turn the rotary switch **(27)** upward and hold it in this position until the platform is adjusted flush to the ground.
- ▶ Protect your hands with gloves.
- ▶ Pull the handle with both hands to unfold the folding part of the platform.

Lifting the Platform



- ▶ Turn the rotary switch **(27)** upward and hold it in this position until the platform has reached the loading position.
The platform tilts to the horizontal or preset position and is then lifted.

Lowering the Platform

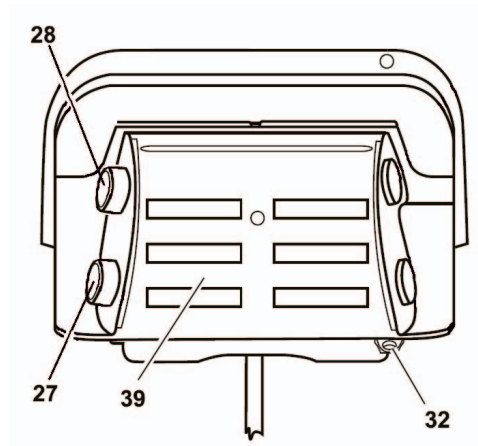


- ▶ Turn the rotary switch **(27)** upward and hold it in this position until the platform is adjusted flush to the ground.
After the platform has touched the ground it tilts and adjusts to the ground.

Folding In the Platform



- ▶ Make sure that the platform is in horizontal position touching the ground.
- ▶ Protect your hands with gloves.
- ▶ Unfold the folding part of the platform with both hands from the operating position onto the stationary part of the platform.
- ▶ Close the platform interlock (if present).
- ▶ Swivel the platform up to the roller at the support tube.
- ▶ Turn the rotary switch **(27)** upward and hold it in this position until the platform is folded away under the vehicle.
The platform lifts and is moved under the vehicle.

M Operation F 600 L

- 27 Pushbutton: lower
- 28 Pushbutton: lift
- 32 Locking lug
- 39 Operating panel

DANGER!**Risk of accidents and injury!**

If the instructions in chapter “General Operation” are not observed during operation of the tail lift, personal injuries and material damage can occur.

- ▶ Before operating the tail lift, read chapter “General Operation” from p. 26.

Folding Out the Platform



- ▶ Loosen the platform interlock (if present).
- ▶ Press the pushbutton **(27)** and hold.
- ▶ Protect your hands with gloves.
- ▶ Pull the handle with both hands to unfold the folding part of the platform.

Lifting the Platform



- ▶ Press the pushbutton **(28)** and hold it in this position until the platform has reached the loading position.
The platform tilts to the horizontal or preset position and is then lifted.

Lowering the Platform

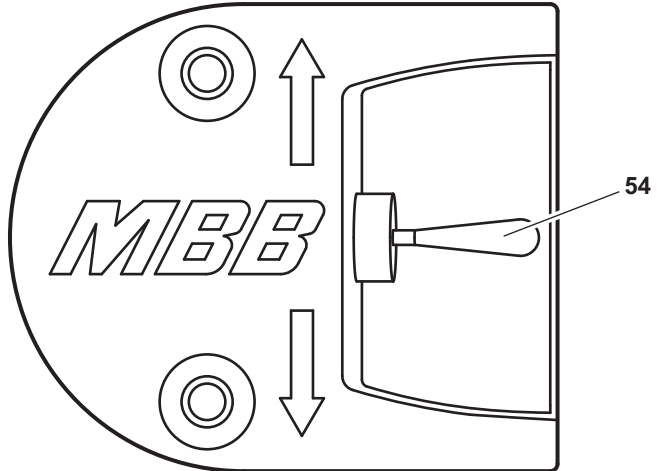


- ▶ Press the pushbutton **(27)** and hold it in this position until the platform is adjusted flush to the ground.
After the platform has touched the ground it tilts and adjusts to the ground.

Folding In the Platform



- ▶ Make sure that the platform is in horizontal position touching the ground.
- ▶ Protect your hands with gloves.
- ▶ Unfold the folding part of the platform with both hands from the operating position onto the stationary part of the platform.
- ▶ Close the platform interlock (if present).
- ▶ Swivel the platform up to the roller at the support tube.
- ▶ Press the pushbutton **(28)** and hold it in this position until the platform is folded away under the vehicle.
The platform lifts and is moved under the vehicle.

B M Operation Using One-hand Control**54** Toggle switch**DANGER!****Risk of accidents and injury!**

If the instructions in chapter “General Operation” are not observed during operation of the tail lift, personal injuries and material damage can occur.

- ▶ Before operating the tail lift, read chapter “General Operation” from p. 26.

Folding Out the Platform



- ▶ Loosen the platform interlock (if present).
- ▶ Press the toggle switch **(54)** downward and hold it in this position until the torsion frame touches the ground.
- ▶ Protect your hands with gloves.
- ▶ Pull the handle with both hands to swivel the platform to the horizontal position.
- ▶ Pull the handle with both hands to unfold the folding part of the platform.

Lowering the Platform



- ▶ Press the toggle switch **(54)** downward and hold it in this position until the platform reaches the ground tilt while lowering.

Lifting the Platform



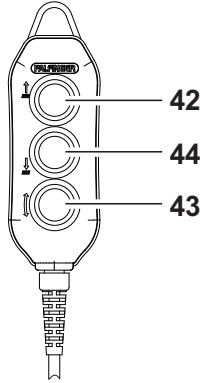
- ▶ Press the toggle switch **(54)** upward and hold it in this position until the platform reaches the loading position while lifting.

Folding In the Platform



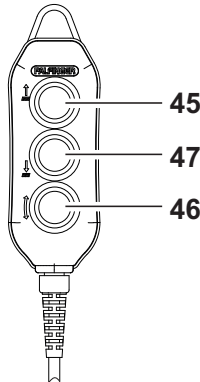
- ▶ Make sure that the platform is in horizontal position touching the ground.
- ▶ Protect your hands with gloves.
- ▶ Fold the platform tip onto the platform.
- ▶ Close the platform interlock (if present).
- ▶ Swivel the platform up to the roller at the support tube.

V Operation Using two Hand Cable Controls with three Pushbuttons, Each



Hand cable control 1

- 42 Pushbutton: lift platform
- 43+42 Pushbutton: close platform
- 44 Pushbutton: lower platform
- 43+44 Pushbutton: open platform

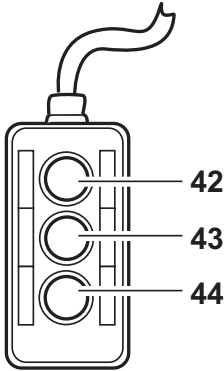


Hand cable control 2

- 45 Pushbutton: lift platform
- 46+45 Pushbutton: fold in link bridge
- 47 Pushbutton: lower platform
- 46+47 Pushbutton: fold out link bridge

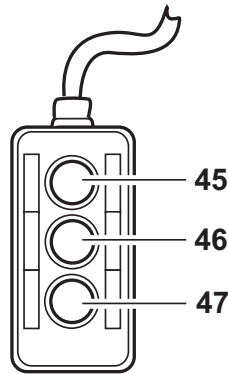
Note: As of May 2019, the hand cable control shown in the illustration is used. Please note: Older models of the hand cable control have a different pushbutton assignment.

**Hand cable control 1
(Models used until May 2019)**



- 42** Pushbutton: lift platform
- 43+42** Pushbutton: close platform
- 44** Pushbutton: lower platform
- 43+44** Pushbutton: open platform

**Hand cable control 2
(Models used until May 2019)**



- Hand cable control 2**
- 45** Pushbutton: lift platform
 - 46+45** Pushbutton: fold in link bridge
 - 47** Pushbutton: lower platform
 - 46+47** Pushbutton: fold out link bridge

DANGER!



Risk of accidents and injury!

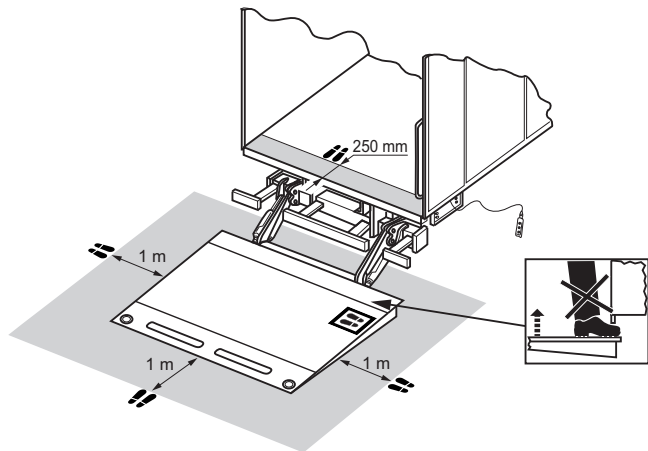
If the instructions in chapter "General Information" are not observed during operation of the column lift, personal injuries and material damage can occur.

- Before operating the column lift, read chapter "General Operation" from p. 26.

DANGER!**Crushing hazard due to wrong operator position!**

If the operator does not stand in the correct position when moving the platform via the hand cable control, personal injury and material damage may occur .

- ▶ Make sure to stand in the correct position (see the picture below) when operating the platform with the hand cable control. Do not stand in another position.
- ▶ When operating the platform with the hand cable control while standing inside the vehicle, always keep a minimum distance of 250 mm from the sill.
- ▶ Do not stand in the squeezing area where the platform approaches the vehicle body.
- ▶ Exclusively stand in the platform area marked with the foot symbols in the illustration when moving the platform.
- ▶ When standing on the ground for operating the platform, keep a minimum distance of 1 m from all platform rims.
- ▶ Make sure that you can see the entire working area and that no other person stays on or near the platform.

**Operator positions
for hand cable
control**


DANGER!**Risk of accidents and injury!**

Failure to observe the instructions below when operating the column lift may result in persons or objects falling off the platform, causing serious injuries or damage to property.

- ▶ Prior to lifting or lowering the platform always set upright the two safety railings.
- ▶ When loading rolling containers without brakes always set the link bridge upright to use it as a roll stop.
- ▶ Use the roll stop towards the vehicle rear side to prevent containers of this type from rolling off the platform and into the vehicle in an uncontrollable manner.
- ▶ When loading the platform, leave enough free space for the operator (minimum 50 x 60 cm).
- ▶ When operating the column lift from a position on the platform, exclusively use the hand cable control 2. As this hand cable control only allows you to "lift" and "lower" the platform or to "fold in" and "fold out" the link bridge, it is not possible to accidentally "open" or "close" the platform and, thus, tilt it.

CAUTION!**Risk of injuries or damage to the vehicle!**

An insufficient load carrying capacity of the ground may result in damage to the vehicle or load.

- ▶ Make sure that the ground can carry the weight of both the vehicle tail and the load.
- ▶ When working with a loading ramp, make sure that the link bridge has sufficient contact with the ramp.

Opening the Platform



- ▶ Press the pushbutton **(43)** on the hand cable control 1 and hold it in this position. Briefly after this press and hold the pushbutton **(44)** on the same hand cable control. Hold both pushbuttons in this position until the platform is horizontal.

Note: When loading the platform, you can simply compensate for any height differences by using the "open" or "close" functions.

Setting the Safety Railing Upright



- ▶ Grasp one of the safety railings lying on the platform and swivel it up.
- ▶ Secure the safety railing in its upright position. For this purpose, engage the lug of the fastener to the hook.
- ▶ Repeat these steps for the other safety railing.

Lifting the Platform



- ▶ If required, open the top flap. This is necessary if you want to use the upper vehicle deck.
- ▶ Press either the pushbutton **(42)** on hand cable control 1 or the pushbutton **(45)** on hand cable control 2 and hold it in this position until the platform has reached the required height.

Bringing Down the Platform



- ▶ Press either the pushbutton **(44)** on hand cable control 1 or the pushbutton **(47)** on hand cable control 2 and hold it in this position until the platform has reached the required height.

Folding Out the Link Bridge



- ▶ Press the pushbutton **(46)** on the hand cable control 2 and hold it in this position. Briefly after this press and hold the pushbutton **(47)** on the same hand cable control. Hold both pushbuttons in this position until the link bridge has reached the required position.

Folding In the Link Bridge



- ▶ Press the pushbutton **(46)** on the hand cable control 2 and hold it in this position. Briefly after this press and hold the pushbutton **(45)** on the same hand cable control. Hold both pushbuttons in this position until the link bridge has reached the required position.

Putting Down the Safety Railings



- ▶ Open the fastener of the first safety railing and swivel down the railing until it lies on the platform.
- ▶ Repeat this procedure for the second safety railing.

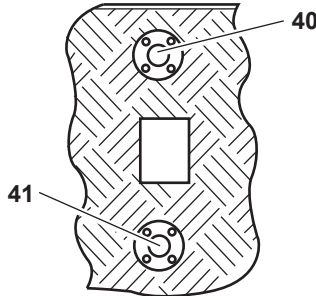
Closing the Platform



- ▶ Press the pushbutton **(43)** on the hand cable control 1 and hold it in this position. Briefly after this press and hold the pushbutton **(42)** on the same hand cable control. Hold both pushbuttons in this position until the platform is completely closed.

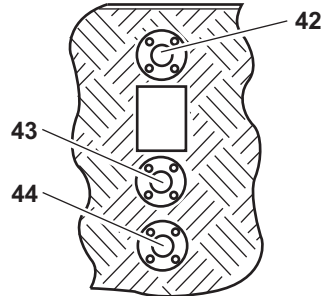
ABCEFGKLM Optional Operating Method: Foot Control

Platform with 2 foot controls
(standard control)



- 40** Foot control
(at platform rim)
- 41** Foot control

Platform with 3 foot controls
(control unit with basic board)



- 42** Additional foot control
(at platform rim)
- 43** Foot control: lift
- 44** Foot control: lower

DANGER!



Risk of accidents and injury!

If the instructions in chapter “General Operation” not observed during operation of the tail lift, personal injuries and material damage can occur.

- ▶ Before operating the tail lift, read chapter “General Operation” from p. 26.

Lowering the Platform

Platform with 2 Foot Controls



- ▶ Step on the foot control (**40**) and keep it in this position.
- ▶ After one second at the earliest and three seconds at the latest, step on the foot control (**41**) and keep it in this position.

The platform is lowered and automatically adjusts to the ground.

Note:

If both foot controls are not actuated within three seconds, the foot controls are disabled for a short time. Wait a few seconds before you repeat the procedure.



Platform with 3 Foot Controls

- ▶ Step on the foot control **(44)** and on the additional foot control **(42)**.

The platform is lowered and automatically adjusts to the ground.

Lifting the Platform

Platform with 2 Foot Controls



- ▶ Step on the foot control **(41)** and keep it in this position.
- ▶ After one second at the earliest and three seconds at the latest, step on the foot control **(40)** and keep it in this position.

Before the platform is lifted it tilts to the horizontal position.

Note:

If both foot controls are not actuated within three seconds, the foot controls are disabled for a short time. Wait a few seconds before you repeat the procedure.

Platform with 3 Foot Controls

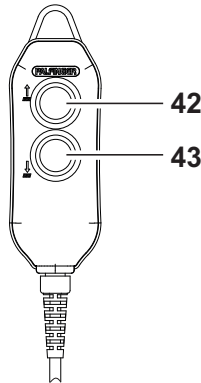


- ▶ Step on the foot control **(43)** and on the additional foot control **(42)**.

Before the platform is lifted it tilts to the horizontal position.

A B C E F G K L M

Optional Operating Method: Hand Cable Control with two Pushbuttons



42 Pushbutton: lift

43 Pushbutton: lower

DANGER!



Risk of accidents and injury!

If the instructions in chapter "General Information" are not observed during operation of the tail lift, personal injuries and material damage can occur.

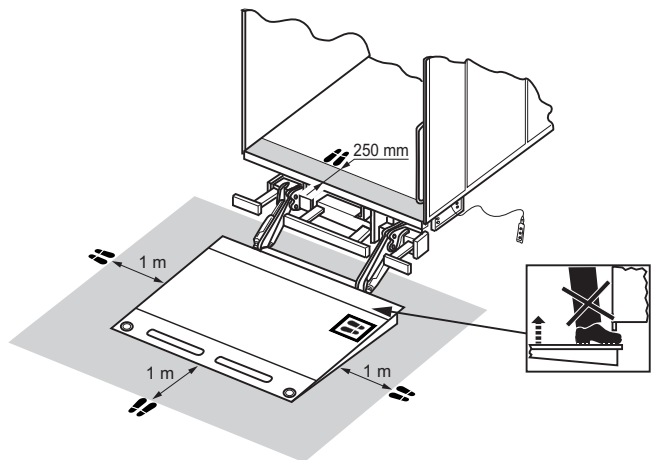
- ▶ Before operating the tail lift, read chapter "General Operation" from p. 26.

DANGER!**Crushing hazard due to wrong operator position!**

If the operator does not stand in the correct position when moving the platform via the hand cable control, personal injury and material damage may occur .

- ▶ Make sure to stand in the correct position (see the picture below) when operating the platform with the hand cable control. Do not stand in another position.
- ▶ When operating the platform with the hand cable control while standing inside the vehicle, always keep a minimum distance of 250 mm from the sill.
- ▶ Do not stand in the squeezing area where the platform approaches the vehicle body.
- ▶ Exclusively stand in the platform area marked with the foot symbols in the illustration when moving the platform.
- ▶ When standing on the ground for operating the platform, keep a minimum distance of 1 m from all platform rims.
- ▶ Make sure that you can see the entire working area and that no other person stays on or near the platform.

**Operator positions
for hand cable
control**



Bringing Down the Platform



- ▶ Press the pushbutton (43) and keep it pressed until the platform is adjusted flush to the ground.

After the platform has touched the ground it tilts and adjusts to the ground.

Lifting the Platform

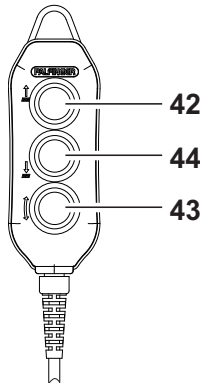


- ▶ Press the pushbutton (42) and keep it pressed until the platform has reached the loading position.

Before the platform is lifted it tilts to the horizontal position.

ACEFGKLM

Optional Operating Method: Hand Cable Control with three Pushbuttons

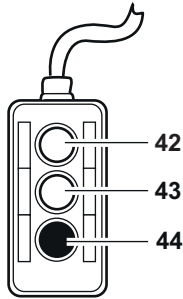


- 42 Pushbutton: lift
- 43 Pushbutton: tilt
- 44 Pushbutton: lower

Note:

As of May 2019, the hand cable control shown in the illustration is used. Please note: Older models of the hand cable control have a different pushbutton assignment.

Hand Cable Control with three Pushbuttons (Models used until May 2019)



- 42 Pushbutton: lift
- 43 Pushbutton: tilt
- 44 Pushbutton: lower

DANGER!



Risk of accidents and injury!

If the instructions in chapter "General Information" are not observed during operation of the tail lift, personal injuries and material damage can occur.

- ▶ Before operating the tail lift, read chapter "General Operation" from p. 26.

DANGER!

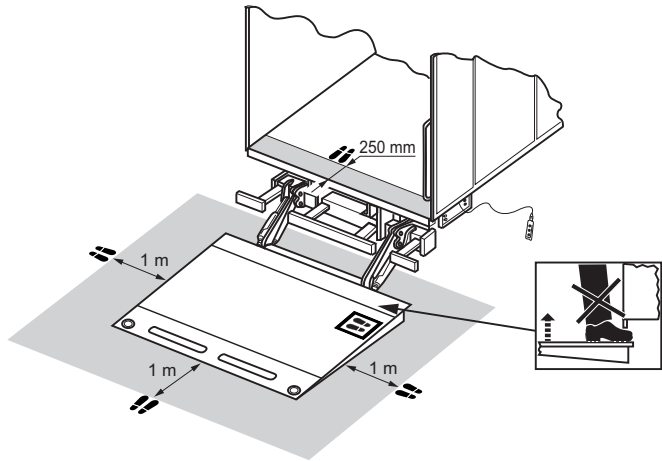


Crushing hazard due to wrong operator position!

If the operator does not stand in the correct position when moving the platform via the hand cable control, personal injury and material damage may occur .

- ▶ Make sure to stand in the correct position (see the picture below) when operating the platform with the hand cable control. Do not stand in another position.
- ▶ When operating the platform with the hand cable control while standing inside the vehicle, always keep a minimum distance of 250 mm from the sill.
- ▶ Do not stand in the squeezing area where the platform approaches the vehicle body.
- ▶ Exclusively stand in the platform area marked with the foot symbols in the illustration when moving the platform.
- ▶ When standing on the ground for operating the platform, keep a minimum distance of 1 m from all platform rims.
- ▶ Make sure that you can see the entire working area and that no other person stays on or near the platform.

Operator positions for hand cable control



Bringing Down the Platform



- ▶ Press the pushbutton **(44)** and keep it pressed until the platform is adjusted flush to the ground.

After the platform has touched the ground it tilts and adjusts to the ground.

Lifting the Platform



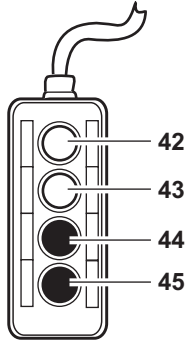
- ▶ Press the pushbutton **(42)** and keep it pressed until the platform has reached the loading position.

Before the platform is lifted it tilts to the horizontal position.

Setting the Platform to its Horizontal Position

- ▶ To adjust a steeper tilt of the platform, press both pushbuttons **(42)** and **(43)** simultaneously.
- ▶ To adjust a flatter tilt or to adjust the platform flush to the ground, press both pushbuttons **(43)** and **(44)** simultaneously.

A Optional Operating Method: Hand Cable Control with four Pushbuttons for MBB C 750 SX



- 42 Pushbutton: lift
- 43 Pushbutton: lower
- 44 Pushbutton: lift scissors
- 45 Pushbutton: lower scissors

DANGER!



Risk of accidents and injury!

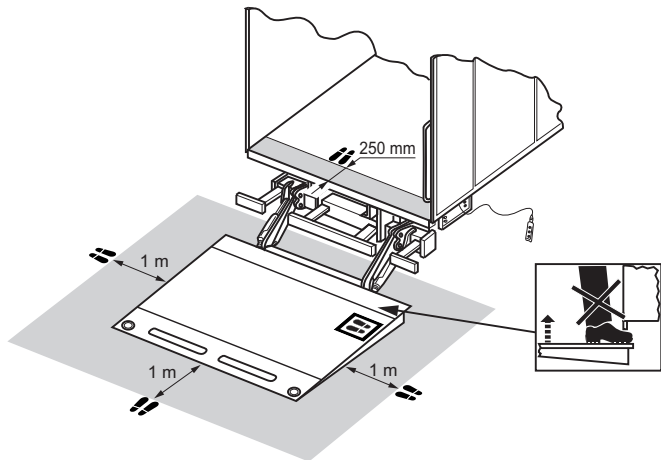
If the instructions in chapter "General Information" are not observed during operation of the tail lift, personal injuries and material damage can occur.

- ▶ Before operating the tail lift, read chapter "General Operation" from p. 26.

DANGER!**Crushing hazard due to wrong operator position!**

If the operator does not stand in the correct position when moving the platform via the hand cable control, personal injury and material damage may occur .

- ▶ Make sure to stand in the correct position (see the picture below) when operating the platform with the hand cable control. Do not stand in another position.
- ▶ When operating the platform with the hand cable control while standing inside the vehicle, always keep a minimum distance of 250 mm from the sill.
- ▶ Do not stand in the squeezing area where the platform approaches the vehicle body.
- ▶ Exclusively stand in the platform area marked with the foot symbols in the illustration when moving the platform.
- ▶ When standing on the ground for operating the platform, keep a minimum distance of 1 m from all platform rims.
- ▶ Make sure that you can see the entire working area and that no other person stays on or near the platform.

**Operator positions
for hand cable
control**


Bringing Down the Platform

- ▶ Press the pushbutton **(43)** and keep it pressed until the platform is adjusted flush to the ground.

After the platform has touched the ground it tilts and adjusts to the ground.

Lifting the Platform

- ▶ Press the pushbutton **(42)** and keep it pressed until the platform has reached the loading position.

Before the platform is lifted it tilts to the horizontal position.

Lifting the Scissors

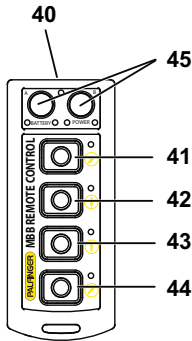
- ▶ Press the pushbutton **(44)** and keep it pressed until the platform has reached the loading position.

Bringing Down the Scissors

- ▶ Press the pushbutton **(45)** and keep it pressed until the platform has reached the loading position.

A C F G K L

Optional Operating Method: Wireless Remote Control Unit (Standard)



- 40 Slide switch: On/Off
- 41 Pushbutton: open
- 42 Pushbutton: lower
- 43 Pushbutton: lift
- 44 Pushbutton: close
- 45 Pushbutton: special function

DANGER!



Risk of accidents and injury!

If the instructions in chapter "General Information" are not observed during operation of the tail lift, personal injuries and material damage can occur.

- ▶ Before operating the tail lift, read chapter "General Operation" from p. 26.

Note: A detailed description to the wireless remote control unit is part of the manual which is in the package of the wireless remote control unit.

Note: These instructions describe the standard range of products. Special product lines may differ from the descriptions in here or may have enhanced functions. For a detailed description of your product type, please contact our customer service.

Switching the Wireless Remote Control Unit On/Off

- ▶ In order to connect, slide the switch (40) upwards. The transmitter remains connected, until the switch (40) will have been slid downwards.

Lowering the Platform



- ▶ Press the pushbutton **(42)** and keep it pressed until the platform is adjusted flush to the ground.

After the platform has touched the ground it tilts and adjusts to the ground.

Lifting the Platform



- ▶ Press the pushbutton **(43)** and keep it pressed until the platform has reached the loading position.

Before the platform is lifted it tilts to the horizontal position.

Opening the Platform



- ▶ Loosen the platform interlock (if present).
- ▶ Press the pushbutton **(41)** and keep it pressed until the platform is completely open.

If an optional load safety device is present, the platform is lowered a small amount and then unfolds to the horizontal operating position.

Closing the Platform



- ▶ Press the pushbutton **(44)** and keep it pressed until the platform is completely closed.

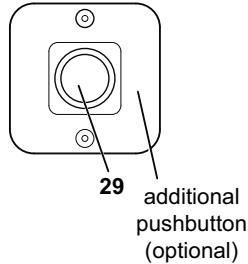
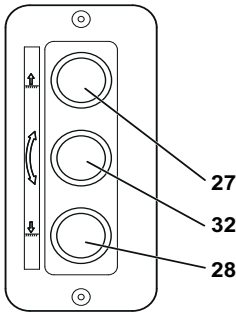
If an optional load safety device is present, the platform closes approximately to 80° and is lowered a small amount. Subsequently it moves to the vertical transport position and is lifted into the load safety device.

- ▶ Close the platform interlock (if present).

Setting the Platform to its Horizontal Position

- ▶ In order to obtain a steeper platform tilt angle, press the pushbutton **(44)**.
- ▶ In order to obtain a flatter platform tilt angle or let the platform make contact with the ground, press the pushbutton **(41)**.

A C E K L Special Operating Elements



- 27 Pushbutton: lift/close
- 28 Pushbutton: lower/open
- 29 Pushbutton: additional pushbutton
- 32 Pushbutton: close/open

DANGER!



Risk of accidents and injury!

If the instructions in chapter “General Operation” are not observed during operation of the tail lift, personal injuries and material damage can occur.

- ▶ Before operating the tail lift, read chapter “General Operation” from p. 26.

Note:

These instructions describe the standard range of products. Special product lines may differ from the descriptions in here or may have enhanced functions. For a detailed description of your product type, please contact our customer service.

Opening the Platform



- ▶ Loosen the platform interlock (if present).
- ▶ Press the pushbuttons **(28)**, **(32)** and optionally **(29)** simultaneously and hold them in this position until the platform has reached the horizontal operating position.

Lowering the Platform



- ▶ Press the pushbuttons **(28)** and optionally **(29)** simultaneously and hold them in this position until the platform has made contact with the ground.

After the platform has touched the ground it tilts and adjusts to the ground.

Lifting the Platform



- ▶ Press the pushbuttons **(27)** and optionally **(29)** simultaneously and hold them in this position until the platform has reached the vehicle loading floor height.

The platform tilts to the horizontal or preset position before it is lifted.

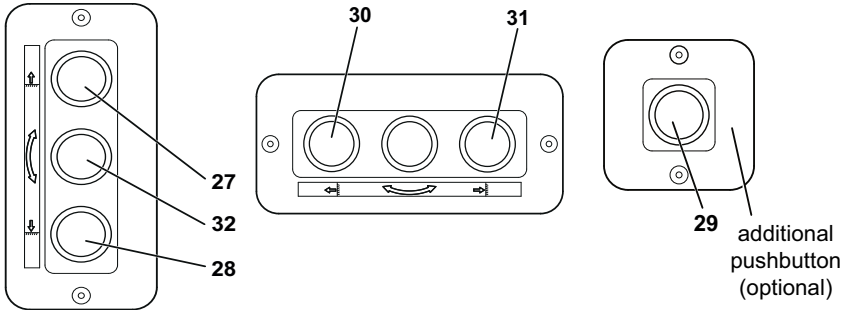
Closing the Platform



- ▶ Press the pushbuttons **(27)**, **(32)** and optionally **(29)** simultaneously and hold them in this position until the platform is closed.

F G Special Operating Elements

- 27 Pushbutton: lift/close
- 28 Pushbutton: lower/open
- 32 Pushbutton: close/open
- 29 Pushbutton: additional pushbutton
- 30 Pushbutton: extend
- 31 Pushbutton: retract



DANGER!



Risk of accidents and injury!

If the instructions in chapter “General Operation” are not observed during operation of the tail lift, personal injuries and material damage can occur.

- ▶ Before operating the tail lift, read chapter “General Operation” from p. 26.

Note:

These instructions describe the standard range of products. Special product lines may differ from the descriptions in here or may have enhanced functions. For a detailed description of your product type, please contact our customer service.

Lowering the Platform



- ▶ Press the pushbuttons **(28)** and optionally **(29)** simultaneously and hold them in this position until the platform has made contact with the ground.

After the platform has touched the ground it tilts and adjusts to the ground.

Lifting the Platform



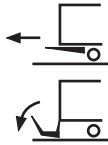
- ▶ Press the pushbuttons (27) and optionally (29) simultaneously and hold them in this position until the platform has reached the vehicle loading floor height.

The platform tilts to the horizontal or preset position before it is lifted.

Setting the Platform to its Horizontal Position

- ▶ To adjust a steeper tilt of the platform, press both pushbuttons (27), (32) and optionally (29) simultaneously and hold them in this position until the platform has reached the required tilt angle.
- ▶ To adjust a flatter tilt of the platform, press both pushbuttons (28), (32) and optionally (29) simultaneously and hold them in this position until the platform has reached the required tilt angle.

Extending and Folding Out the Platform

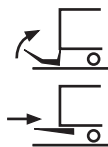


- ▶ Loosen the platform interlock (if present).
- ▶ Press the pushbuttons (28) and optionally (29) simultaneously and hold them in this position until the platform has completely lowered.

The platform is lowered so that it can be extended without obstruction.

- ▶ Press the pushbutton (30) and hold it in this position until the platform is completely extended.
- ▶ Press the pushbuttons (28) and optionally (29) simultaneously and hold them in this position until the folded platform has made contact with the ground.
- ▶ Protect your hands with gloves.
- ▶ Pull the handle with both hands to unfold the folding part of the platform.

Folding In and Retracting the Platform

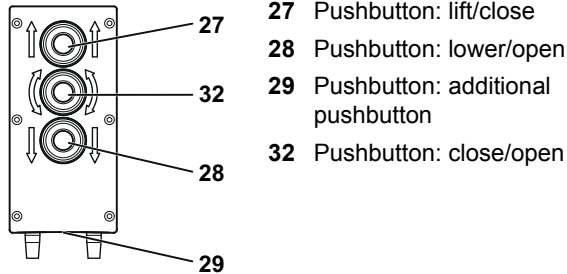


- ▶ Protect your hands with gloves.
- ▶ Pull the handle with both hands to fold back the folding part of the platform.
- ▶ Close the platform interlock (if present).
- ▶ Press the pushbuttons (27) and optionally (29) simultaneously and hold them in this position until the platform has reached the retraction height.

- ▶ Press the pushbutton **(31)** and hold it in this position until the platform is completely retracted. Make sure that the platform can be retracted without obstruction.
- ▶ Press the pushbuttons **(27)** and optionally **(29)** simultaneously and hold them in this position until the platform has reached the vibration safeguard.

A C E K L

Special Operating Elements



DANGER!



Risk of accidents and injury!

If the instructions in chapter “General Operation” are not observed during operation of the tail lift, personal injuries and material damage can occur.

- ▶ Before operating the tail lift, read chapter “General Operation” from p. 26.

Note:

These instructions describe the standard range of products. Special product lines may differ from the descriptions in here or may have enhanced functions. For a detailed description of your product type, please contact our customer service.

Opening the Platform



- ▶ Loosen the platform interlock (if present).
- ▶ Press the pushbuttons **(28)**, **(32)** and **(29)** simultaneously and hold them in this position until the platform has reached the horizontal operating position.

Lowering the Platform



- ▶ Press the pushbuttons **(28)** and **(29)** simultaneously and hold them in this position until the platform has made contact with the ground.

After the platform has touched the ground it tilts and adjusts to the ground.

Lifting the Platform



- ▶ Press the pushbuttons **(27)** and **(29)** simultaneously and hold them in this position until the platform has reached the vehicle loading floor height.

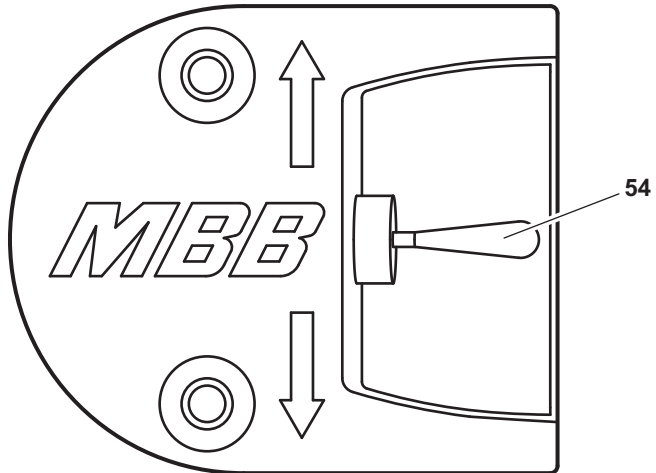
The platform tilts to the horizontal or preset position before it is lifted.

Closing the Platform



- ▶ Press the pushbuttons **(27)**, **(32)** and **(29)** simultaneously and hold them in this position until the platform is closed.

All Models

Special Operating Elements for Hydraulic Stabilizer Feet**54** Toggle switch**DANGER!****Risk of accidents and injury!**

If the instructions in chapter “General Operation” are not observed during operation of the tail lift, personal injuries and material damage can occur.

- ▶ Before operating the tail lift, read chapter “General Operation” from p. 26.

Extending the Hydraulic Stabilizer Feet

- ▶ Push down the toggle switch (**54**) until the stabilizer feet are extended almost to the ground.

Retracting the Hydraulic Stabilizer Feet

- ▶ Push up the toggle switch (**54**) until the stabilizer feet are completely retracted.

A Programming a Key Code

Note: This function is not included in the standard product range and must be ordered separately.

- ▶ You can switch on the tail lift by a key code. The factory setting is:

Key (Combination) to be Pressed		
lift	close	lift
3 x	3 x	3 x

To change this key code:

- ▶ Open the platform.
- ▶ Bring down the platform until it is adjusted flush to the ground.
- ▶ Open the sealing cap of the support tube (on the right, as seen in direction of travel) or open the cover of the hydraulic unit.
- ▶ Disconnect plug J 30.
- ▶ Switch off the electrical equipment.
- ▶ Connect the contacts J 30/5, 6, 14, 3 with contact 4 (service plug).
- ▶ Switch on the electrical equipment.
The tail lift is now in programming mode.
- ▶ Disconnect the service plug and connect plug J 30 at the lateral operating element.
- ▶ Enter the desired code at the lateral operating element as follows:

Key (Combination) to be Pressed		
lift	close	lift
x-times	x-times	x-times

When pressing the keys, hold them for at least one second. Each key actuation switches on the warning lights.

If your entry has been correct, the programming mode is automatically left. You can continue to operate your tail lift as usual.

If your entry was faulty, the warning lights briefly flash 5 times. You have to enter the code again.

Clearing the Service Counter (Maintenance Counter)

After 5000 cycles (lifts) the tail lift should be serviced. The control box will flash for 2 seconds with high frequency after switch-on to indicate that this limit value is reached. Proceed as described below to clear the service counter after this.

- ▶ Close the platform, but leave the control box switched on.
- ▶ Disconnect plug J 11.
- ▶ Disconnect plug J 30.
- ▶ Connect the service plug.
- ▶ Connect plug J 11.

The service counter is cleared.

- ▶ Disconnect the service plug.
- ▶ Connect plug J 30.
- ▶ Disconnect plug J 11 and connect it again.

This switches the tail lift back into operating mode.

Note: You can also reset the service counter by using the diagnostic software.

Troubleshooting

This function is only available for special program versions. For more information please contact our customer service. Proceed as follows to troubleshoot the tail lift:

- ▶ Switch on the control box.
- ▶ Open the platform so that it is in horizontal position.
- ▶ Disconnect plug J 11.
- ▶ Disconnect plug J 30.
- ▶ Connect the service plug.
- ▶ Connect plug J 11.
- ▶ Disconnect the service plug.
- ▶ Connect plug J 30.

Every connected input is now indicated by continuous warning lights.

If your tail lift is not equipped with Warnfix, you have to connect a test lamp to PIN 7 of plug J3.

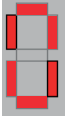
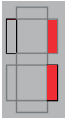
- ▶ Disconnect plug J 11 and connect it again.

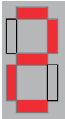
This switches the tail lift back into operating mode.



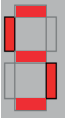
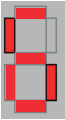
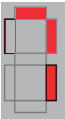

Note: You can also troubleshoot your tail lift by using the diagnostic software.

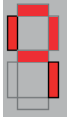
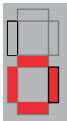
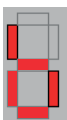
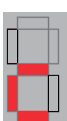
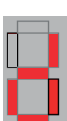
Error Recognition by Using the 7-Segment Display

This function is only available with MBB Control.

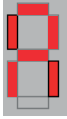
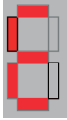
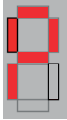
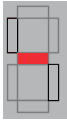
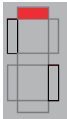
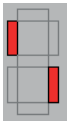
Status indication (7 segments, static, System LED flashing green (2 Hz))	
Status	Description
Status 	System switched on and all right, control box switched off
Status 	System switched on and all right, control box switched on

Error indication (7 segments, flashing (0.5 Hz), System LED flashing red (2 Hz))		
Status	Description	Action for error reset
Error 	Undervoltage	Switch off/on control box

Error indication (7 segments, flashing (0.5 Hz), System LED flashing red (2 Hz))		
Status	Description	Action for error reset
Error 	On lift arms switch (B13): On signal although tail lift is closed -> Short-circuit on B13 With MBB Control Eco -> B16 Lift arms switch defective	Automatic error reset as soon as correct values are reached
Error 	Lift arms tilt sensor (B15): Faulty sensor signal	
Error 	Head tilt sensor (B15): Faulty sensor signal	
Error 	Warnfix: short-circuit recognized	
Error 	Box body light/control box LED: short-circuit recognized	
Error 	General short-circuit error of external system	

Valve coil monitoring <i>(not available for all models)</i>		
Status	Description	Action for error reset
Error 	While lifting the platform, the "motor relay coil resistance" error was detected.	Automatic error reset as soon as correct values are reached
Error 	Not used or reserved	
Error 	While opening the platform, the "valve coil resistance open S3_S4" or "motor relay resistance" error was detected.	
Error 	While closing the platform, the "motor relay resistance" or "S5" error was detected.	
Error 	While lowering the platform, the "valve coil resistance lower_S1_S2" error was detected	

Service functions *(not available for all models)*

Status	Description	Action for disabling
Error 	No voltage across J1/2 -> check fuse	Automatic error reset as soon as voltage is present across J1/2.
Error 	Emergency program, sensor system being bridged. Re-enable by pressing and holding "Open" and "Lower" push-buttons for more than 10 seconds.	Switch off/on control box
Error 	Error diagnosis of all inputs is active. Warnfix is activated upon each push-button actuation.	Remove service plug
Error 	"Selflock" function is active. Tail lift is locked via radio receiver (e. g. ICP). Selflock = automatic locking of the control panel when the vehicle is left	Reset "Selflock" function: Switch off/on control box or place radio transmitter near the radio receiver again
Error 	Interface not active due to short circuit of "JP" connector (CAN).	De-energize board for some seconds
Error 	Error of special function (e. g. light barrier of vertical lift program V-SYCL) is defective.	Switch tail lift to emergency operation / replace light barrier

Service and Maintenance

DANGER!



Risk of accidents and injury!

If the instructions in chapter "General Information" are not observed during maintenance or service of the tail lift or column lift, personal injuries and material damage can occur.

- ▶ Before working on the tail lift or column lift, read chapter "General Operation" from p. 26.

A B C F G K L

Maintenance Intervals

Activity	Daily	Depending on Usage	Monthly	Quarterly	Semi-annually	Annually
Checking the function and presence of the safety and warning devices	X					
Cleaning the tail lift		X				
Checking the battery		X				
Checking the carbon brushes at the electric motor	X					
Checking the oil level and refilling oil, if necessary			X			
Checking the bolts and nuts for tight seat			X			
Checking the screw fittings and pipes of the hydraulic system						X
Lubricating the low-maintenance bearings		X				
Lubricating the guide rails				X		
Changing the oil						X
Applying wax spray to the PC board		X				
Checking the marks on the platform for the payload center of gravity and the operator position (when operating the tail lift or column lift with the hand cable control) are readable and in a good condition, refreshing the marks using an abrasion-resistant paint, if required		X				

Activity	Daily	Depending on Usage	Monthly	Quarterly	Semi-annually	Annually
For retractable tail lifts: Cleaning and lubricating guide rails		X				
If unused for more than 3 months: Moving (open, lower, lift, close) tail lift several times				X		

E Maintenance Intervals

Activity	Daily	Depending on Usage	Monthly	Quarterly	Semi-annually	Annually
Checking the function and presence of the safety and warning devices	X					
Cleaning the tail lift		X				
Checking the battery		X				
Checking the bolts and nuts for tight seat			X			
Lubricating the low-maintenance bearings		X				
Checking the bellows			X			
Applying wax spray to the PC board		X				
Checking the marks on the platform for the payload center of gravity and the operator position (when operating the tail lift or column lift with the hand cable control) are readable and in a good condition, refreshing the marks using an abrasion-resistant paint, if required		X				
If unused for more than 3 months: Moving (open, lower, lift, close) tail lift several times				X		

Depending on the frequency of use and external influences, the maintenance intervals can be shorter.

V Maintenance Intervals

DANGER!



Risk of accidents and injury!

When executing any maintenance or service work under the platform of the column lift, there is a risk of personal injury or property damage if the platform is not secured properly.

- ▶ Always secure the platform slide or platform against moving downwards.

Activity	Daily	Depending on Usage	Monthly	Quarterly	Semi-annually	Annually
Checking the function and presence of the safety and warning devices	X					
Cleaning the column lift		X				
Cleaning and lubricating the sliding surface of the slider in the frame					X	
Checking the battery		X				
Checking the carbon brushes at the electric motor		X				
Checking the oil level and refilling oil, if necessary			X			
Checking the bolts and nuts for tight seat			X			
Checking the screw fittings and pipes of the hydraulic system						X
Lubricating the low-maintenance bearings		X				
Lubricating the guide rails					X	
Changing the oil						X
Applying wax spray to the PC board		X				
Checking the mark for the payload center of gravity for good readability; refreshing mark with abrasion-resistant paint if required		X				
If unused for more than 3 months: Moving (open, lower, lift, close) tail lift several times				X		

All Models Maintenance Before Starting

Checking the Safety and Warning Devices

The safety devices of the tail lifts comply with the respective current version of the valid regulations.

- ▶ Before starting to drive, check whether all safety and warning devices are operational.
- ▶ Renew any damaged and non-operational safety and warning devices.

Depending on the model, the safety and warning devices comprise:

- non-slip platform surface
- roll-off protection on the platform (optional)
- holding grip for the accompanying operator (not in scope of delivery of the tail lift)
- warning flashers on the platform
- warning flags behind the platform
- platform interlock at the platform (optional)
- two-feet control for "lift" and "bring down" on the platform
- key control at lateral operating element for trailers or semi-trailers
- control box with ON/OFF switch in lockable driver's cab
- visual signal at control box in driver's cab for tail lift "ON" and/or platform open
- stop valves on lift and tilt cylinders to prevent line break (except model E)
- flow valves for limiting the lowering and opening speed (except model E)

Maintenance Depending on Usage Frequency

All Models

Cleaning the Tail Lift

CAUTION!



Damage to paint!

If you clean the tail lift using a pressure washer, damage to the paint may occur up to six weeks after painting.

- ▶ Cleaning the tail lift with a pressure washer should not be done earlier than six weeks after painting.

The following parts of the tail lift may not be cleaned with a pressure washer:

- piston rods and cylinder seals
- lateral operating element
- solenoid valves (except model E)
- foot control
- warning lights and warning flags
- Bellows

All Models

Checking the Battery

- ▶ Service the battery in the usual way.

A B C F G K L

Checking the Carbon Brushes at the Electric Motor

CAUTION!



Risk of burns by overheating electric motor!

Worn out and contaminated carbon brushes can result in increased current consumption. This can cause the electric motor to overheat.

- ▶ Occasionally clean the carbon brushes.
- ▶ Contact a service engineer or a contractor repair shop to have worn out or contaminated carbon brushes replaced.

- ▶ Occasionally check the carbon brushes of the electric motor in the hydraulic unit and clean them to remove the carbon dust.

All Models Applying Wax Spray to the PC Board

To protect the contacts against corrosion.

- ▶ Depending on the weather conditions and especially after exposure to salt water spray, apply wax spray to the PC board and the connector plugs.

Greasing and Lubricating

- ▶ Grease the conical lubricating heads and, if applicable, the guide rails as required and after each cleaning with a pressure washer.

When lubricating the plastic plain bearings, spray the lubricating oil (see chapter “Lubricants and Operating Media” from p. 188) into the bearings from the side.

To grease and lubricate:

- ▶ Move the platform to its parking position.
- ▶ Clean the plastic plain bearings.
- ▶ Spray lubricating oil into all 8 plastic plain bearings from both sides.
- ▶ Apply 1 or 2 spray portions to each side of a plastic plain bearing.
- ▶ Allow the lubricating oil to take effect for 1 to 2 minutes.
- ▶ Open, lower, lift and close the platform for at least three times. Make sure to use the full range of functions.

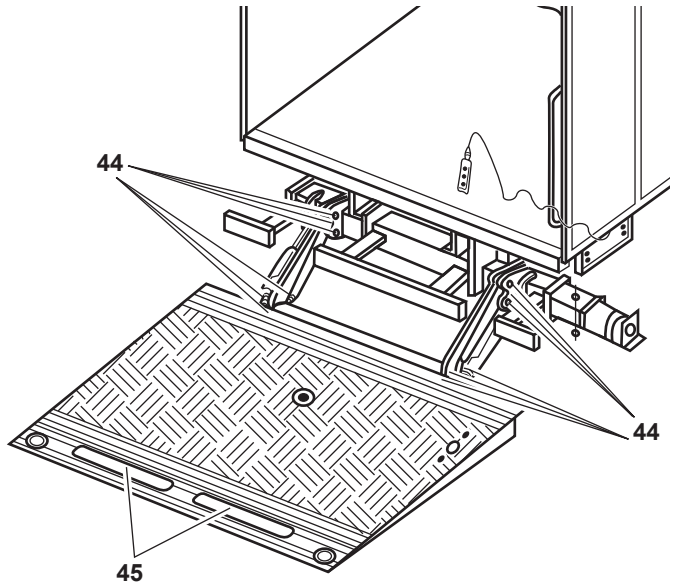
The lubricant is distributed in the plain bearings.

- ▶ Repeat the lubricating procedure as required.
- ▶ Clean all surfaces that are soiled with lubricant.

Checking/Refreshing Platform Marks

The marks on the platform must always be in a good condition and clearly visible. They indicate the payload center of gravity and the operator position on the platform when operating the tail lift by using the hand cable control.

- ▶ Check the marks for good visibility and refresh them if required with abrasion-resistant paint.

A B C E Standard Models (Upright Platform)

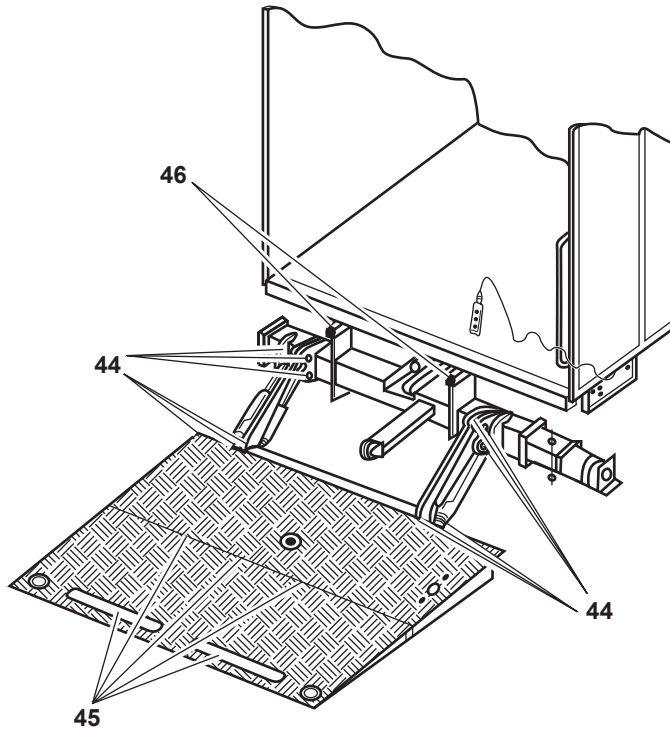
44 Conical lubricating heads (grease nipples)

45 Roll-off protection bearings

To grease and lubricate:

- ▶ Clean the conical lubricating heads.
- ▶ Use a grease gun to press grease into the conical lubricating heads (**44**) until the bearing is filled (see chapter "Lubricants and Operating Media" from p. 188).
- ▶ Lubricate the bearings of the roll-off protection (**45**) (see chapter "Lubricants and Operating Media" from p. 188).

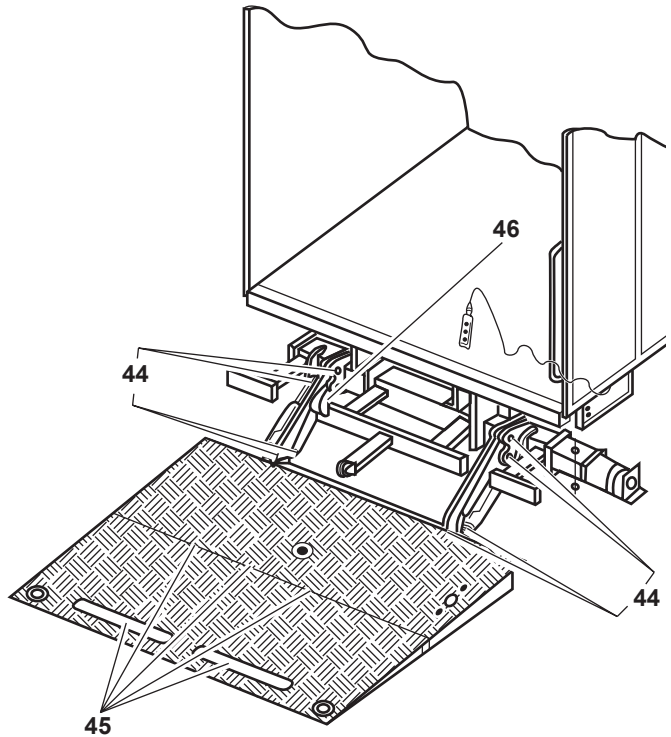
FG Retractable Models



- 44** Conical lubricating head
- 45** Roll-off protection bearings and joint of folding platform
- 46** Sliding consoles in the guide rails (nozzle lubrication)

To grease and lubricate:

- ▶ Clean the conical lubricating heads.
- ▶ Use a grease gun to press grease into the conical lubricating heads (**44**) until the bearing is filled (see chapter "Lubricants and Operating Media" from p. 188).
- ▶ Lubricate the bearings of the roll stop and the joint in the platform (**45**).
- ▶ Lubricate the sliding consoles in the guide rails (**46**) (see chapter "Lubricants and Operating Media" from p. 188).

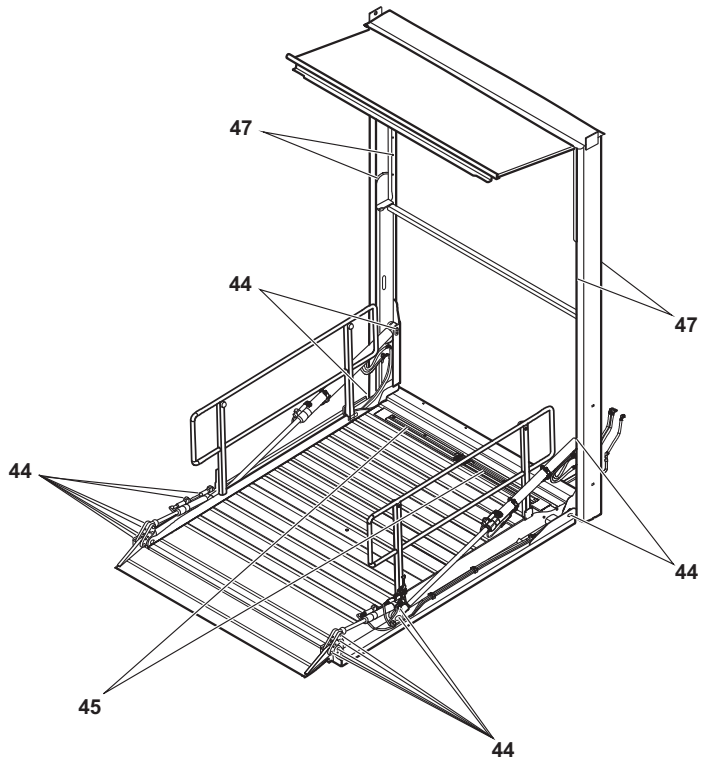
K L M Foldable Models

- 44** Conical lubricating head
- 45** Roll-off protection bearings and joint of folding platform
- 46** Bearings at the guide rails

To grease and lubricate:

- ▶ Clean the conical lubricating heads (**44**).
- ▶ Use a grease gun to press grease into the conical lubricating heads (**44**) until the bearing is filled (see chapter "Lubricants and Operating Media" from p. 188).
- ▶ Lubricate the bearings of the rool stop and the joint in the platform (**45**).
- ▶ Lubricate the sliding consoles in the guide rails (**46**) (see chapter "Lubricants and Operating Media" from p. 188).

V Column Lifts



- 44** conical lubricating head
- 45** roll-off protection bearings
- 47** Sliding surface of the slider

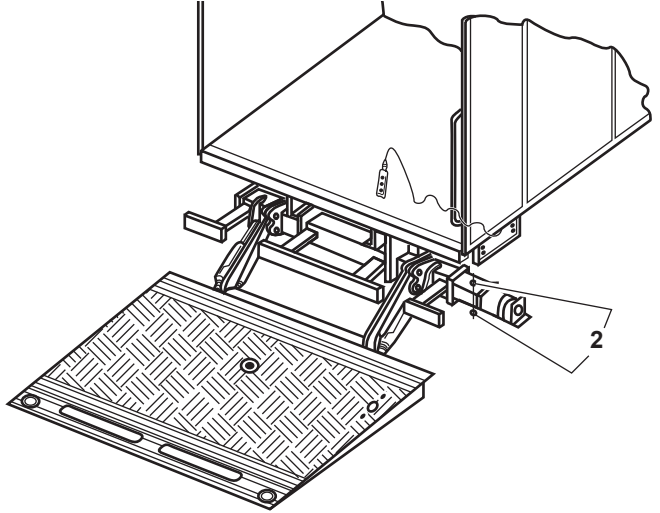
To grease and lubricate:

- ▶ Clean the conical lubricating heads (**44**).
- ▶ Use a grease gun to press grease into the conical lubricating heads (**44**) until the bearing is filled (see chapter “Lubricants and Operating Media” from p. 188).
- ▶ Lubricate the bearings of the roll-off protection (**45**) (see chapter “Lubricants and Operating Media” from p. 188).
- ▶ Clean all sliding surfaces (**47**) of the slider in the guide frame and lubricate them evenly with heavy duty grease.

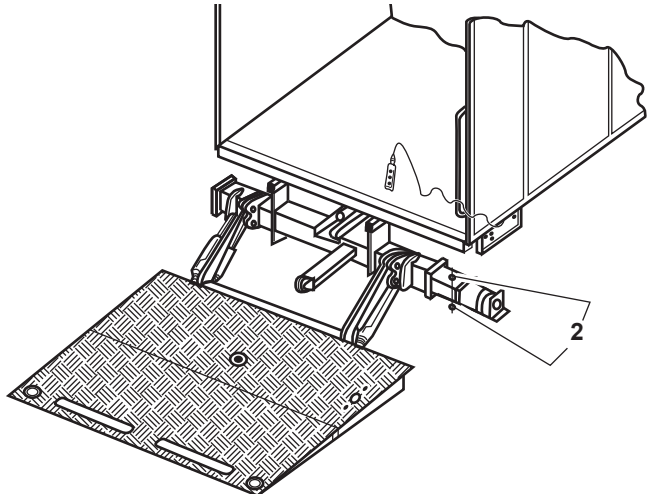
Monthly Maintenance

Checking the Oil Level

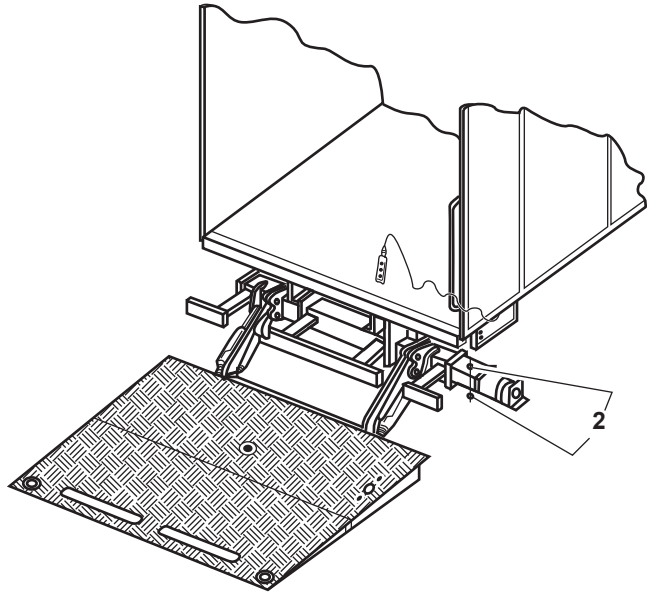
A B C Standard Tail Lifts



F G Retractable Models



K L M Foldable Models



2 Hydraulic unit on support tube

Slide-in Unit: To check the oil level:

- ▶ Lower the tail lift so that the platform touches the ground.
- ▶ If required, retract all stabilizer feet.
- ▶ Open the right cover of the support tube.
- ▶ Loosen the fastening screw of the hydraulic unit at the support tube (2).
- ▶ Pull out the hydraulic unit until the check mark at the oil reservoir is visible.
- ▶ Using the indicator at the oil reservoir or the dip stick, check whether the indication is within the prescribed marked range.
- ▶ If required, refill oil up to level mark.
- ▶ Re-insert the hydraulic unit in to the support tube and fasten it with the screw (2).
- ▶ Close the cover of the support tube.

**Box-type, Universal
or Reversible Unit:**

To check the oil level:

- ▶ Lower the tail lift so that the platform touches the ground.
- ▶ If required, retract all stabilizer feet.
- ▶ Remove the cover from the unit.
- ▶ Using the indicator at the oil reservoir or the dip stick, check whether the indication is within the prescribed marked range.
- ▶ If required, refill oil up to level mark.
- ▶ Re-install the cover of the unit.

All Models**Checking the Bolts and Nuts for Tight Seat**

- ▶ Check whether all bolts and nuts are seated tightly.
- ▶ Especially observe all bearing pins and associated bolts and all fastening elements of the auxiliary frame and the tail lift mounting!
- ▶ Retighten any loose bolts and nut.

ABCFGKLMV**Checking the Screw fittings and Pipes of the
Hydraulic System**

- ▶ Check all screw fittings and pipes of the hydraulic system. Make sure that the screws are tight and the hydraulic lines undamaged.
- ▶ Retighten any loose screws.
- ▶ Replace damaged hydraulic hoses immediately.
- ▶ Replace all hydraulic hoses after three years at the latest. The manufacture date is stamped on the fittings.

All Models**Checking the Bellows**

- ▶ Make sure that the two bellows are in a good condition and undamaged and that they are tightly fit to the piston rod and cylinder.
- ▶ Replace damaged bellows immediately.

Quarterly or Semi-annual Maintenance

All Models

Lubricating the Low-maintenance Bearings

- ▶ Clean the low-maintenance bearings and, if required, the guide rails.
- ▶ Grease the low-maintenance bearings and, if required, the guide rails with lubricant grease.

Note: If you use the tail lift quite frequently, the low-maintenance bearings and, if required, the guide rails must be greased more frequently than once a year.

Moving the Tail Lift

After a standstill of more than 3 months you have to move the tail lift several times.

- ▶ Open, lift, lower and close the tail lift using the corresponding operating element.
- ▶ Repeat this procedure approximately 5 times.

Annual Maintenance

A B C F G K L

Changing the Hydraulic Oil

CAUTION!

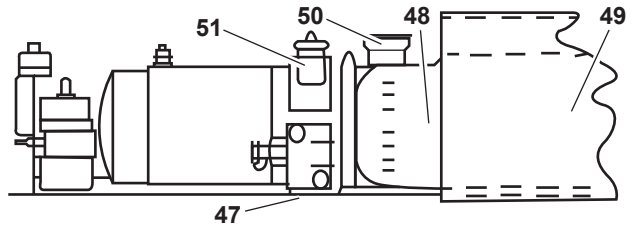


Risk of injury or material damage through waste oil!

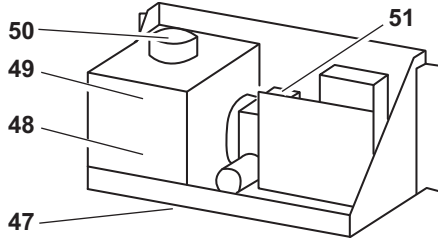
If you do not change the oil in the hydraulic unit once a year, condensation water could accumulate, especially at temperatures below the freezing point. This disturbs the function of the tail lift. Persons could be injured and material could be damaged.

- ▶ Change the hydraulic oil once every year.
- ▶ Preferably change the oil shortly before the start of the winter season.

Slide-in Unit:

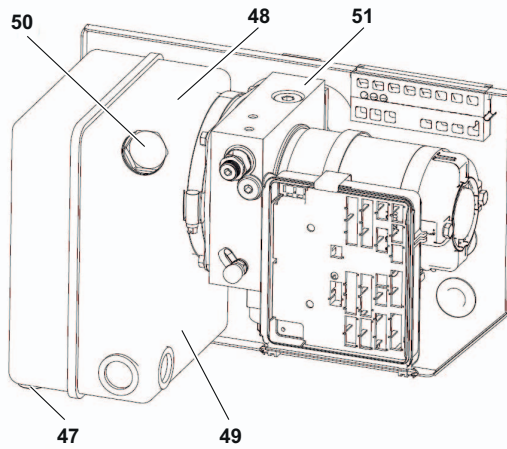


Box-type Unit:

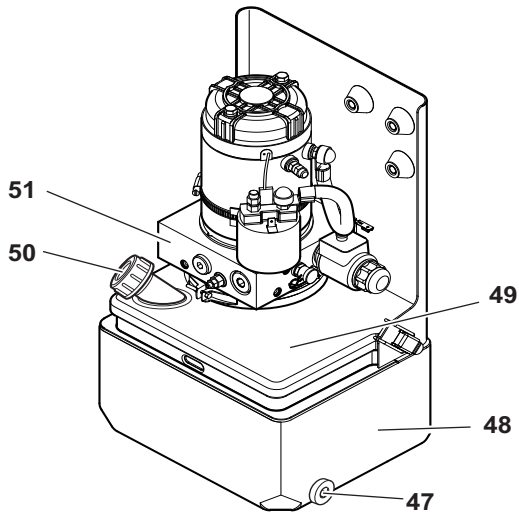


- 47** Oil drain plug
- 48** Hydraulic oil reservoir
- 49** Suction filter in the oil reservoir
- 50** Breather filter
- 51** Valve block

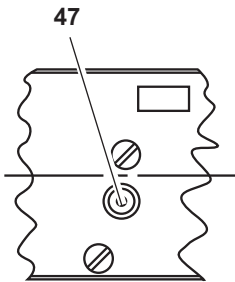
Universal Unit:



Reversible Unit:



- 47 Oil drain plug
- 48 Hydraulic oil reservoir
- 49 Suction filter in the oil reservoir
- 50 Breather filter
- 51 Valve block



To change the hydraulic oil:

- ▶ Lower the tail lift so that the platform touches the ground (see chapter "Operating Elements" from p. 42).
- ▶ **For the slide-in unit:**
Draw out the hydraulic unit so that the valve block (51) is positioned outside the block (see chapter "Checking the Oil Level" from p. 141).

For the box-type, universal or reversible unit:

Remove the cover from the unit.

- ▶ Place a sufficiently large vessel under the oil drain plug (47).
- ▶ Loosen the oil drain plug (47) using a 6 mm hex socket wrench and drain the oil into the vessel.

If the hydraulic oil is extremely contaminated you must clean the hydraulic oil reservoir (48):

- ▶ Loosen the clamp between the hydraulic oil reservoir (48) and the valve block (51).
- ▶ Drain the oil.
- ▶ Pull off the hydraulic oil reservoir (48) from the unit and clean it outside the hydraulic unit.
- ▶ Also renew the suction filter in the oil reservoir (49) and the breather filter (50).
- ▶ Install the cleaned hydraulic oil reservoir into the unit and reinstall the oil drain plug (47).
- ▶ Fill oil according to the marking at the oil reservoir or dip stick.

Note: Exclusively use oils listed in the chapter "Lubricants and Operating Media" from p. 188.

- ▶ After filling the oil reservoir, run the equipment through two full working cycles.
- ▶ Check the oil level (see chapter "Checking the Oil Level" from p. 141) and refill or drain oil as required.
- ▶ **For the slide-in unit:**
Push the hydraulic unit back into the support tube and fasten it.
For the box-type, universal or reversible unit:
Re-install the cover of the unit.
- ▶ Dispose of the waste oil according the regulations.

V Changing the Hydraulic Oil

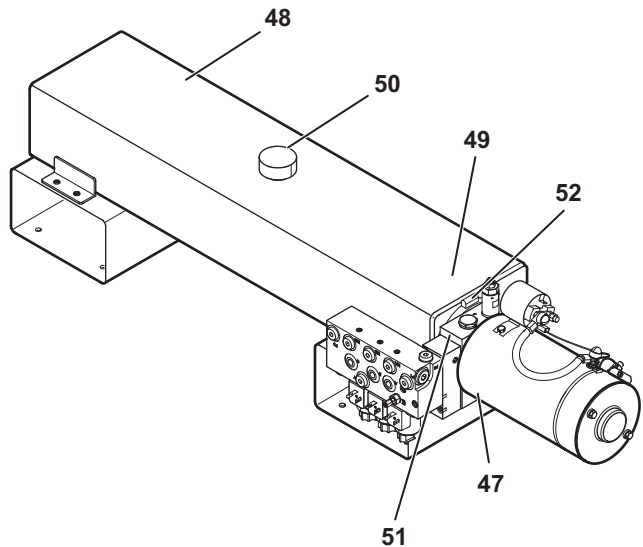
CAUTION!



Risk of injury or material damage through waste oil!

If you do not change the oil in the hydraulic unit once a year, condensation water could accumulate, especially at temperatures below the freezing point. This disturbs the function of the column lift. Persons could be injured and material could be damaged.

- ▶ Change the hydraulic oil once every year.
- ▶ Preferably change the oil shortly before the start of the winter season.



- 47 Oil drain plug
- 48 Hydraulic oil reservoir
- 49 Suction filter in the oil reservoir
- 50 Breather filter
- 51 Valve block
- 52 Clamp

To change the hydraulic oil:

- ▶ Close the platform with the link bridge folded in; as a result the entire hydraulic oil will flow into the hydraulic oil reservoir (see chapter "Operating Elements" from p. 42).
- ▶ Remove the breather filter **(50)**.
- ▶ Suck out the hydraulic oil via the oil fill hole.

If the hydraulic oil is extremely contaminated you must clean the hydraulic oil reservoir **(48)**:

- ▶ Remove the stop at the rear side of the oil reservoir.
- ▶ Loosen the clamp. **(52)**
- ▶ Disconnect the hydraulic oil reservoir **(48)** from the valve block **(51)**. Take care of the intake and outlet lines and the suction filter **(49)** in the hydraulic oil reservoir. **(48)**
- ▶ Remove the hydraulic oil reservoir **(48)** from its guide and lift it off to clean it outside the vehicle.
- ▶ Re-insert and re-connect the hydraulic oil reservoir **(48)**. Proceed as described above, but in reverse order.
- ▶ Fill oil according to the marking at the oil reservoir or dip stick. The fill level should be 2/3 of the dip stick.

Note:

Exclusively use oils listed in the chapter "Lubricants and Operating Media" from p. 188.

- ▶ After filling the oil reservoir, run the equipment through two full working cycles.
- ▶ Check the oil level (see chapter "Checking the Oil Level" from p. 141) and refill or drain oil as required.
- ▶ Push the hydraulic unit back into the support tube and fasten it.
- ▶ Dispose of the waste oil according the regulations.

All Models

Protecting the Main Switch from Corrosion

To protect the main switch with strip fuse against corrosion:

- ▶ Grease the main switch with contact grease.

Checks

With every tail lift a test data booklet is provided. According to this test data booklet the following checks must be performed by a specialist of your contractor repair shop:

- Check after installation, confirming the satisfactory commissioning in writing in the test data booklet.
- Periodic verification which must be performed at least once a year. The essential scope of checks is described in the test data booklet. The check must be confirmed in the test data booklet in writing.
- Extraordinary check after major repairs or structural changes. The check must be confirmed in the test data booklet in writing.

Structural changes are only allowed with the consent of the manufacturer. Any warranties shall become void if modifications at the tail lift are performed without our consent. The manufacturer shall not be held responsible for damages, accidents, etc. The same applies for the usage of third-party spare parts, if their use has not been explicitly approved.

All Models Eliminating Faults

Faults may occur even in the best maintained and serviced tail lift.

The following description of possible faults will enable you to recognize faults quickly and eliminate them saving time and costs.

Principally, troubleshooting and the elimination of faults should be done in the contractor repair shops. In the list of repair shops you find the information how to find our contractor repair shops. If necessary, you can request the list free of charge from our sales offices or the factory.

For troubleshooting, preferably a test lamp can be used. Use the ground connector on the PC board for troubleshooting.

Note: If the tail lift can not be operated any more due to a defective sensor, it can be switched to an emergency operating mode. In the emergency operating mode the sensors are not called up. Proceed as described below to switch to the emergency operating mode:

- ▶ Press the pushbuttons “Open”, “Lower” and if there is, the “Additional Key” for at least 10 seconds.
In the 7-Segment Display an “E” appears. Now each tail lift movement has to be ordered manually. All the automatic processes are deactivated.

Before troubleshooting, check the following:

- ▶ Make sure that the tail lift is switched on in the driver's cab.
- ▶ Check whether the battery main switch is switched on.
- ▶ Make sure that the main fuse for the power supply is intact.
- ▶ Check the two control-circuit fuses of the hydraulic unit or power unit for correct function.
- ▶ Check the control voltage fuse for 12 V systems at the vehicle battery for correct function.
- ▶ Make sure that the vehicle batteries function correctly and are charged.
- ▶ Verify that the ground cable on the hydraulic unit or power unit establishes a good connection between the tail lift and the vehicle.
- ▶ Make sure that the oil reservoir is sufficiently filled (except model E).
- ▶ Check that mechanical or electrical components, for example cables, are not damaged.

WARNING!**Risk of burns in case of short-circuits!**

Serious burns can occur in case of a short-circuit of the high-power batteries.


- ▶ Before starting any work at the electric system, disconnect the battery main switch or disconnect the negative lead from the battery.


Do not try to eliminate the faults yourself, but by contractor repair shops and with the aid of the following tables. The list of repair shops shows you the nearest repair shop and provides further contact information.

A C F G K L M Troubleshooting Tables

Before switching on		
Fault	Possible cause	Remedy
Optical indication in driver's cab flashes rapidly	Tilt sensor b15 defective	Replace tilt sensor b15


Switching on (LED on PC board flashes with the same rate as the turn signal)		
Fault	Possible cause	Remedy
Optical indication in driver's cab flashes furiously	Lift arms switch b13 defective (short-circuit)	Replace lift arms switch b13
	Tilt sensor b15 guide rod defective	Replace tilt sensor b15
LED on PC board does not flash	ON/OFF switch in driver's cab defective	Check connections 2 and 4 with test lamp
	Fuses in unit e1 or e2 have tripped	Replace fuses
	PC board in sealing cover defective	Replace PC board


 Open (Platform opens to the horizontal operating position – this position is stored and moved to after the ground adjustment during lifting)		
Fault	Possible cause	Remedy
Platform does not open with motor	No signal at output J 1/3	Use test lamp to check according to circuit diagram
	Motor contactor defective	Check motor contactor
Platform does not open	Rotary switches, pushbuttons, or toggle switches defective	Use test lamp to check contacts in operating element according to circuit diagram, use ground connection JK at PC board
	No voltage at valve plug S 3 or S 4, defective cable	Check with test lamp
	Control valve S 5 or pressure splitter stuck	Clean or replace
Warning lamps on platform are not flashing when platform is open	Tilt sensor b15 at the platform misadjusted or defective	Adjust or replace
	PC board defective	Replace
	Plugs defective	Replace
	Warning lamps defective	Replace
	Initiator b25 misadjusted or defective	Adjust or replace


 Extend		
Fault	Possible cause	Remedy
Platform does not extend, motor is running	Solenoid valves S 7 and S 8 leaking	Clean or replace
	Solenoid valve S 8 does not open	Clean or replace
	Lowering brake valve S 11 does not open	Clean or replace
	Piston seal in guide cylinder defective	Replace



**Fold out
(model MBB R 1500 SH – R 2000 LH)**


Fault	Possible cause	Remedy
Platform does not unfold, motor is running	Solenoid valves S 7 and S 8 leaking	Clean or replace
	Solenoid valve S 12 does not open	Clean or replace
	Valve S 10 does not open	Clean or replace
	Piston seal in folding cylinder defective	Replace


 Lower		
Fault	Possible cause	Remedy
Platform does not come down or too slowly, but opening operation works	Flow valve R 1 or R 2 at lift cylinder stuck or defective	Clean or replace
	Seating too tight	Grease all seating points
	Hydraulic oil too thick	Change oil, use oil grade as recommended
Platform does not come down when operated with foot controls	The foot controls were actuated too fast (less than 1 s) or too slow (more than 3 s) after each other	Release both foot controls, wait a few seconds, and repeat procedure
	Foot control defective	Disconnect plug connection in the platform, check foot controls with continuity tester
	Cable no. 2 to platform defective	Actuate both foot controls and check the voltage at plugs J 3/6 and J 3/5 on the PC board using a test lamp
Platform does not come down when operated with lateral operating element	Rotary switches, pushbuttons, or toggle switches defective	Use test lamp to check contacts in operating element according to circuit diagram, use ground connection JK at PC board
	PC board does not deliver output at J 4/15	Disconnect plug J 4, check terminal 15 with test lamp
	PC board does not deliver output at J 1/12	Disconnect plug J 1, check terminal 12 with test lamp
	No voltage at valve plug S 1 or S 2, defective cable	Check with test lamp
	Valve S 5 in unit does not switch on	Check with test lamp
Platform tilts during lowering	Lift arms switch b13 misadjusted	Adjust
Platform tilts automatically	Solenoid valves S 3 and S 4 at tilt cylinder contaminated or defective	Clean or replace
	Piston seal in tilt cylinder defective	Replace
Platform comes down automatically	Solenoid valves S 1 and S 2 at lift cylinder contaminated or defective	Clean or replace


 Ground adjustment (platform tilts)		
Fault	Possible cause	Remedy
Emergency actuation: Actuate "Open" (28) pushbutton and additional pushbutton (29) on lateral control element until platform tilts		
Platform does not tilt	Lift arms switch b13 misadjusted or defective	Adjust lift arms switch b13 so that the platform tilts after touching the ground
	PC board does not deliver output at J 4/14	Check at connection b1 (signal) of plug J 41 (lift arms switch) with test lamp
	No voltage at valve plug S 3 or S 4, defective cable	Disconnect plug J 4, check terminal 14 with test lamp
	Solenoid valves S 3 and S 4 at tilt cylinder contaminated or defective	Clean or replace
	PC board has stored error	De-energize, check with test lamp
	Flow valve R 5 or pressure splitter stuck or defective	Clean or replace
	PC board defective	Replace
Platform does not tilt, optical indicator in driver's cab flashes rapidly	Tilt sensor b15 guide rod defective	Replace tilt sensor b15

 Lift platform off the ground (platform tilts into the horizontal operating position that was stored when it was opened)		
Fault	Possible cause	Remedy
Platform does not tilt into the horizontal operating position when operated via foot controls	The foot controls were actuated too fast (shorter than 1 s) or too slow (longer than 3 s) after each other	Release both foot controls, wait a few seconds, and repeat procedure
	Foot control defective	Disconnect plug connection in the platform, check foot controls with continuity tester
	Cable no. 2 to platform defective	Actuate both foot controls and check the voltage at plugs J 3/6 and J 3/5 on the PC board using a test lamp
Platform does not tilt into the horizontal position when lifting	Directional valve S 5 stuck or defective	Clean or replace
	Tilt sensor b15 defective	Replace
Platform tilts further than the preset angle	Tilt sensor b15 defective	Replace
	Directional valve S 5 stuck or defective	Clean or replace
Platform does not tilt into the horizontal operating position but is lifted	PC board does not deliver output at J 1/12	Check plug J 1 terminal 12 with test lamp, use ground connection JK of the PC board
	Valve S 5 in unit does not switch on	Check with test lamp
Platform does not tilt into the horizontal operating position, but is lifted, optical indicator in driver's cab flashes rapidly	Tilt sensor b15 platform defective	Replace tilt sensor b15
Platform tilts further than the preset angle when the platform is lifted	Tilt sensor b15 defective	Replace
	Directional valve stuck or defective	Clean or replace

 Lift (platform moves up to loading edge)		
Fault	Possible cause	Remedy
Platform does not lift up	Rotary switches, pushbuttons, or toggle switches defective	Use test lamp to check contacts in operating element according to circuit diagram, use ground connection JK at PC board
	PC board does not deliver output at J 1/3	Check PC board according to circuit diagram at plug J 1/3 with test lamp
	Motor contactor in unit does not switch on or is defective	Check motor contactor with test lamp
Platform is not lifted up although hydraulic unit is running	Directional valve S 5 stuck or defective	Clean or replace
	Solenoid valves S 1 and S 2 at lift cylinder contaminated or defective	Clean or replace
	Suction filter at pump contaminated	Clean or replace
	Platform overloaded	Reduce load according to load diagram
	Hydraulic pump defective	Replace
	Electric motor defective	Replace
	Pressure splitter contaminated or defective	Clean or replace
	Pressure relief valve misadjusted or defective	Adjust and lock the valve or replace it

 Close (platform closes)		
Fault	Possible cause	Remedy
Platform does not close	Rotary switches, pushbuttons, or toggle switches defective	Check contacts in operating element according to circuit diagram using test lamp
	PC board does not deliver output at J 1/3 or J 1/1	Check PC board according to circuit diagram at plug J 1/3 and 1/12 with test lamp
	Motor contactor or valve S 5 in unit do not switch on	Check with test lamp
In its closed end position the platform does not reach the vehicle loading floor height	End of box insufficiently reinforced	Reinforce box according to the details in assembly drawing
	Bearings worn out (after longer usage)	Replace bearing pins, bearing bushes

 Retract		
Fault	Possible cause	Remedy
Platform does not retract, motor is running	Solenoid valves S 7 and S 8 leaking	Clean or replace
	Solenoid valve S 7 does not open	Clean or replace
	Solenoid valve S 11 does not open	Clean or replace
	Piston seal in guide cylinder defective	Replace


 Fold in (for model MBB R 1500 SH – R 2000 LH)		
Fault	Possible cause	Remedy
Platform does not unfold, motor is running	Solenoid valves S 7 and S 8 leaking	Clean or replace
	Solenoid valve S 12 does not open	Clean or replace
	Solenoid valve S 9 does not open	Clean or replace
	Piston seal in folding cylinder defective	Replace


Switch on warning light		
(warning light is automatically switched on when the platform is opened or extended, left and right lights are switched in parallel)		
Fault	Possible cause	Remedy
Warning lamps are not flashing	Short-circuit in lamp or cabling	Repair short-circuit
	Lamp defective	Replace
	Initiator b25 defective	Replace


E Troubleshooting Tables


Before switching on		
Fault	Possible cause	Remedy
Optical indication in driver's cab flashes rapidly	Tilt sensor b15 defective	Replace tilt sensor b15


Switching on (LED on PC board flashes with the same rate as the turn signal)		
Fault	Possible cause	Remedy
Optical indication in driver's cab flashes furiously	Lift arms switch b13 defective (short-circuit)	Replace tilt sensor b15
	Tilt sensor b15 guide rod defective	Replace tilt sensor b15
LED on PC board does not flash	ON/OFF switch in driver's cab defective	Check connections 2 and 4 with test lamp
	Fuses in power unit e1 or e2 have tripped	Replace fuses
	PC board in sealing cover defective	Replace PC board


 Open (Platform opens to the horizontal operating position – this position is stored and moved to after the ground adjustment during lifting)		
Fault	Possible cause	Remedy
Platform does not open	Rotary switches, pushbuttons, or toggle switches defective	Use test lamp to check contacts in operating element according to circuit diagram, use ground connection JK at PC board
	Motor contactor -K4 or relay -K5 defective	Check motor contactor and relay
	Output J4/14, JK or J43/90 does not deliver output signal	Use test lamp to check according to circuit diagram
Warning lights on platform are not flashing when platform is open	Tilt sensor b15 at the platform misadjusted or defective	Adjust or replace
	PC board defective	Replace
	Plugs defective	Replace
	Warning lamps defective	Replace

 Lower		
Fault	Possible cause	Remedy
Platform does not lower, but can be opened	Lift cylinder is stuck	Briefly press Lift pushbutton, then press Lower pushbutton again
	Seating too tight	Grease all seating points
	Output J4/15 or J42/81 does not deliver output signal	Use test lamp to check according to circuit diagram
	Motor contactor -K2 or relay -K7 defective	Check motor contactor and relay
Platform does not come down when operated with foot controls	Foot controls were actuated too fast (shorter than 1 s) or too slow (longer than 3 s) after each other	Release both foot controls, wait a few seconds, and repeat procedure
	Foot control defective	Disconnect plug connection in the platform, check foot controls with continuity tester
	Cable no. 2 to platform defective	Actuate both foot controls and check the voltage at plugs J 3/6 and J 3/5 on the PC board using a test lamp
Platform does not come down when operated with lateral operating element	Rotary switches, pushbuttons, or toggle switches defective	Use test lamp to check contacts in operating element according to circuit diagram, use ground connection JK at PC board
	Cable no. 3 to operating element defective	Actuate rotary switches one after another and check voltage across connector J30 according to circuit diagram using a test lamp
Platform tilts during lowering	Lift cylinder lowers too slowly or not at all	Lubricate bearings, briefly actuate Lift pushbutton, then press Lower pushbutton again

 Ground adjustment (platform tilts)		
Fault	Possible cause	Remedy
Emergency actuation:		
Actuate "Open" (28) pushbutton and additional pushbutton (29) on lateral control element until platform tilts		
Platform does not tilt	Output J4/15, J4/14, JK or J42/81 does not deliver output signal	Use test lamp to check according to circuit diagram
	Seating too tight	Grease all seating points
Platform does not tilt, opt. indicator in driver's cab flashes rapidly	Tilt sensor b15 guide rod defective	Replace tilt sensor b15

 Lift platform off the ground (platform tilts into the horizontal operating position that was stored when it was opened)		
Fault	Possible cause	Remedy
Platform does not tilt into the horizontal operating position when operated via foot controls	The foot controls were actuated too fast (shorter than 1 s) or too slow (longer than 3 s) after each other	Release both foot controls, wait a few seconds, and repeat procedure
	Foot control defective	Disconnect plug connection in the platform, check foot controls with continuity tester
	Cable no. 2 to platform defective	Actuate both foot controls and check the voltage at plugs J 3/6 and J 3/5 on the PC board using a test lamp
When being lifted, the platform does not tilt to its horizontal position or tilts beyond the pre-set position	Tilt sensor b15 defective	Replace
Platform does not tilt into the horizontal operating position but is lifted	Output J43/90, J1/12, JK or JK does not deliver output signal	Use test lamp to check according to circuit diagram
	Motor contactor -K3 is defective	Check motor contactor
Platform does not tilt into the horizontal operating position, but is lifted, optical indicator in driver's cab flashes rapidly	Tilt sensor b15 platform defective	Replace

 Lift (platform moves up to loading edge)		
Fault	Possible cause	Remedy
Platform does not lift up	Rotary switches, pushbuttons, or toggle switches defective	Use test lamp to check contacts in operating element according to circuit diagram, use ground connection JK at PC board
	PC board does not deliver output at J 1/3 or J 42/81	Use test lamp to check PC board according to circuit diagram
	Motor contactor -K1 defective	Check motor contactor

 Close (platform closes)		
Fault	Possible cause	Remedy
Platform does not close	Rotary switches, pushbut- tons, or toggle switches de- fective	Use test lamp to check con- tacts in operating element ac- cording to circuit diagram, use ground connection JK at PC board
	PC board does not deliver output on J 1/12, J43/90 or JK	Use test lamp to check PC board according to circuit di- agram
	Motor contactor -K1 defective	Check motor contactor
In its closed end position the platform does not reach the vehicle loading floor height	End of box insufficiently rein- forced	Reinforce box according to details in assembly drawing
	Bearings worn out (after lon- ger usage)	Replace bearing pins, bear- ing bushes

Switch on Warnfix


(Warnfix is automatically switched on when the platform is opened or extended, left and right lights are switched in parallel)


Fault	Possible cause	Remedy
Warning light does not flash	Short-circuit in lamp or ca- bling	Repair short-circuit
	Lamp defective	Replace


V Troubleshooting Tables


Before switching on		
Fault	Possible cause	Remedy
Optical indication in driver's cab flashes rapidly	Tilt sensor b15 defective	Replace tilt sensor b15


Switching on (LED on PC board flashes with the same rate as the turn signal)		
Fault	Possible cause	Remedy
LED on PC board does not flash	Fuses in unit e1 or e2 have tripped	Replace fuses
	PC board in sealing cover defective	Replace PC board


 Open (platform opens until reaching operating position)		
Fault	Possible cause	Remedy
Platform does not open with motor	Output J1/3 does not deliver output signal	Use test lamp to check according to circuit diagram
	Motor contactor defective	Check motor contactor
Platform does not open	Pushbutton defective	Use test lamp to check contacts in operating element according to circuit diagram, use ground connection JK at PC board
	No voltage at valve plug S4 or S5, defective cable	Check with test lamp
	Control valve S6 or pressure valve locked	Clean or replace
Warning lights on platform are not flashing when platform is open	Tilt sensor b15 at the platform misadjusted or defective	Adjust or replace
	PC board defective	Replace
	Plugs defective	Replace
	Warning lamps are defective	Replace

 Lift (platform moves up to loading edge)		
Fault	Possible cause	Remedy
Platform does not lift up	Pushbutton defective	Use test lamp to check contacts in operating element according to circuit diagram, use ground connection JK at PC board
	PC board does not deliver output at J 1/3	Check PC board according to circuit diagram at plug J 1/3 with test lamp
	Motor contactor in unit does not switch on or is defective	Check motor contactor with test lamp
	Thermoswitch tripped	Allow motor to cool down
Platform is not lifted up although hydraulic unit is running	Directional valve S 3 stuck or defective	Clean or replace
	Solenoid valves S 1 and S 2 at lift cylinder contaminated or defective	Clean or replace
	Suction filter at pump contaminated	Clean or replace
	Platform overloaded	Reduce load according to load diagram
	Hydraulic pump defective	Replace
	Electric motor defective	Replace
	Pressure splitter contaminated or defective	Clean or replace
	Pressure relief valve misadjusted or defective	Adjust and lock the valve or replace it


 Lower (platform moves down until reaching the ground)		
Fault	Possible cause	Remedy
Platform does not come down	Flow valve R 1 or R 2 at lift cylinder stuck or defective	Clean or replace
	Slide bearing sluggish	Clean and lubricate slide bearing
	Hydraulic oil too thick	Change oil, use oil grade as recommended
	Solenoid valve S 1 or S 2 defective	Clean or replace

 Lower (platform moves down until reaching the ground)		
Fault	Possible cause	Remedy
Platform does not come down when operated with hand cable control	Pushbutton defective	Use test lamp to check contacts in operating element according to circuit diagram, use ground connection JK at PC board
	PC board does not deliver output at J 4/15	Disconnect plug J 4, check terminal 15 with test lamp
	No voltage at valve plug S 1 or S 2, defective cable	Check with test lamp
Platform comes down automatically	Solenoid valves S 1 and S 2 at lift cylinder contaminated or defective	Clean or replace

 Fold out		
Fault	Possible cause	Remedy
Link bridge does not fold out, motor is running	Solenoid valves S 10 and S 11 do not open	Clean or replace
	Solenoid valve S 7 does not open	Clean or replace
	Piston seal in tilt cylinder defective	Replace

 Fold in		
Fault	Possible cause	Remedy
Link bridge does not fold in, motor is running	Solenoid valve S 7 does not open	Clean or replace
	Solenoid valve S 12 does not open	Clean or replace
	Solenoid valve S 13 does not open	Clean or replace
	Piston seal in tilt cylinder defective	Replace

Switch on Warnfix (Warnfix is automatically switched on when the platform is opened, left and right lights are switched in parallel)		
Fault	Possible cause	Remedy
Warning light does not flash	Short-circuit in lamp or cabling	Repair short-circuit
	Lamp defective	Replace

 Close (platform closes)		
Fault	Possible cause	Remedy
Platform does not close at all or only on one side	Emergency control of tilt cylinder activated or both activated.	Screw out knurled screws of solenoid valves
Platform does not close	Pushbutton defective	Check contacts in operating element according to circuit diagram using test lamp
	PC board does not deliver output at J 1/3 or J 43/93	Check PC board according to circuit diagram at plug J 1/3 and 43/93 with test lamp
	Motor contactor or valve S 7 in unit do not switch on	Check with test lamp
	Initiator B 25 defective	Check with test lamp according to circuit diagram, replace if required

Technical Data

All Models

Recommended Battery Capacity

Load weight [kg]	Recommended battery capacity
up to 1250	12 V = 1 x 143 Ah 24/12 V, 24 V = 2 x 12 V, 2 x 105 Ah
1250 to 1750	12 V = 1 x 180 Ah 24/12 V, 24 V = 2 x 12 V, 2 x 143 Ah
over 1750 to 4000	24/12 V, 24 V = 2 x 12 V, 2 x 180 Ah

Note: If you use the vehicle exclusively for short-haul transports in urban traffic frequent loading operations, you should a battery of the next higher capacity level. In addition it is recommended to use a stronger alternator.

All Models

Alternators for Recharging the Battery

Load weight [kg]	Recommended alternator [Watt]
up to 1250	630
over 1250 to 1750	730
over 1750 to 4000	1000

All Models

Temperature Range for Tail Lift Usage

Standard	"Cold climate" option
-20 °C to +60 °C	-40 °C to +60 °C

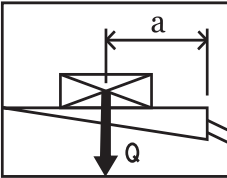
Load Diagrams

The following tables show the maximum allowed weight of the payload (Q). The table applicable for your tail lift can also be found on the lateral operating element.

The payload (Q) comprises everything placed on the platform, e. g. the transported goods, the operator, and any material handling equipment.

The maximum permissible payload (Q) depends on the load distance (a). The load distance (a) is the distance between the rear edge of the truck load area and the payload center of gravity (**12**).

The maximum permissible payload (Q) for the respective maximum permissible load distance (a) is permanently indicated on the platform surface with corresponding markings.

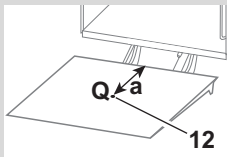


DANGER!



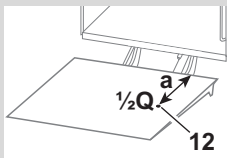
Risk of personal injury and material damage!

If the maximum permissible payload (Q) or the maximum permissible load distance (a) is exceeded, the tail lift could fall down! This can result in personal injuries or the tail lift could be severely damaged. In such a case any warranties shall become void!



When you position the payload (Q) in the center between the left and right platform edge:

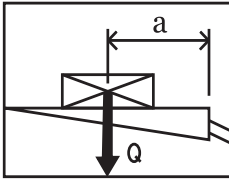
- Load the tail lift not heavier than the payload (Q), which is indicated in the table next to the respective load distance (a)!



When you position the payload (Q) at the left or right platform edge:

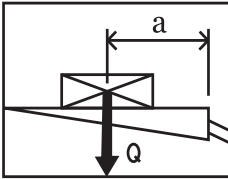
- Load the tail lift **not heavier than half the payload** ($\frac{1}{2}Q$), which is indicated in the table next to the respective load distance (a)!

A



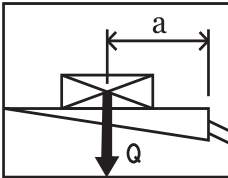
	a [mm]	Q [kg]		a [mm]	Q [kg]
MBB C 750 S C 750 L C 750 LX C 750 SX C 750 SPL C 750 SPR PTC 750 S PTC 750 L PTC 750 LLW	600	750	MBB C 1750 LD C 1750 SZD	850	1750
	700	650		1000	1450
	820	550		1300	1150
	1120	400		1650	900
	1800	250		2400	600
MBB C 1000 L C 1000 SPL C 1000 SPR C 1000 ML C 1000 ML PRO PTC 1000 LLW	600	1000	MBB C 2000 L C 2000 LZ C 2000 LK C 2000 LX	750	2000
	750	800		900	1650
	950	600		1100	1300
	1400	400		1600	950
	2400	230		2400	600
MBB C 1000 S	700	1000	MBB C 2000 S C 2000 SK	1000	2000
	875	800		1200	1650
	1150	600		1500	1350
	1700	400		1800	1100
	2400	250		2100	950
MBB C 1000 LD	720	1250	MBB C 2500 L	750	2500
	900	1000		900	2050
	1200	750		1100	1700
	1800	500		1600	1150
	2400	370		2400	750
MBB C 1500 L C 1500 LX C 1500 ML C 1500 ML PRO	600	1500	MBB C 2500 S C 2500 SK C 2500 SZ	1000	2500
	720	1250		1400	1785
	900	1000		1600	1560
	1200	750		1800	1385
	2400	370		2400	1040
MBB C 1500 S C 1500 SZ C 1500 SK	1000	1500	MBB C 3000 S	1000	3000
	1200	1250		1200	2000
	1500	1000		1500	1600
	1850	800		1800	1300
	2400	600		2400	1000

B



	a [mm]	Q [kg]
MBB C 500 LG	600	500
	700	430
	820	360
	1120	260
	1800	160

C

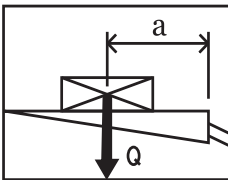


	a [mm]	Q [kg]
MBB C 350 VAN	850	350
	1000	300
	1200	250
	1500	200
	1800	160

	a [mm]	Q [kg]
MBB C 500 VAN C 500 VAN FL EX	600	500
	700	430
	820	360
	1120	260
	1800	160

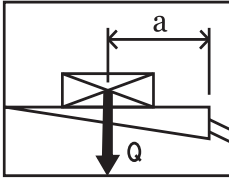
	a [mm]	Q [kg]
MBB C 600 VAN	600	600
	700	430
	820	360
	1120	260
	1600	160

E



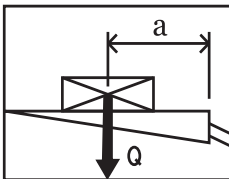
	a [mm]	Q [kg]
MBB C 1000 E	600	1000
	750	800
	950	600
	1400	400
	2400	230

F



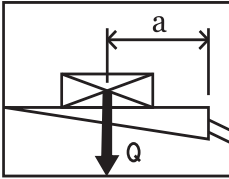
	a [mm]	Q [kg]		a [mm]	Q [kg]
MBB R 750 L	600	750	MBB R 1500 S R 1500 SK R 1500 S TRAIL R 1500 S TRUCK	1000	1500
	700	650		1200	1250
	820	550		1500	1000
	1120	400		1850	800
	1800	250		2400	600
MBB R 1000 S R 1000 S TRUCK	700	1000	MBB R 2000 L R 2000 LK R 2000 L TRAIL R 2000 L TRUCK	750	2000
	875	800		900	1650
	1150	600		1100	1300
	1700	400		1600	950
	2400	250		2400	600
MBB R 1000 S TRUCK LGD / CCD	800	1000	MBB R 2000 S	1000	2000
	950	840		1200	1650
	1100	725		1500	1350
	1250	640		1800	1100
	1400	570		2100	950
MBB R 1500 L R 1500 L FLAT R 1500 LX FLAT	600	1500	MBB R 2500 L R 2000 L TRAIL	750	2500
	720	1250		900	2050
	900	1000		1100	1700
	1200	750		1600	1150
	2400	370		2400	750
MBB R 1500 L TRUCK LGD / CCD	700	1500	MBB R 2500 S	1000	2500
	850	1235		1400	1785
	1000	1050		1600	1560
	1150	900		1800	1385
	1300	800		2400	1040

G



	a [mm]	Q [kg]		a [mm]	Q [kg]
MBB R 750 SM	600	750	MBB R 1500 SM R 1500 SH	1000	1500
	700	650		1200	1250
	820	550		1500	1000
	1120	400		1850	800
	1800	250		2400	600
MBB R 1000 LM	600	1000	MBB R 2000 LM R 2000 LH	750	2000
	750	800		900	1650
	950	600		1100	1300
	1400	400		1600	950
	2400	230		2400	600

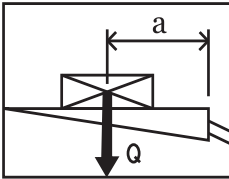
K



	a [mm]	Q [kg]
MBB F 1000 SH F 1000 SX	600	1000
	750	800
	1000	600
	1500	400
	2400	250
MBB F 1500 LH F 1500 LX	600	1500
	720	1250
	900	1000
	1200	750
	2400	370

	a [mm]	Q [kg]
MBB F 2000 LH F 2000 LX	750	2000
	900	1650
	1100	1300
	1600	950
	2400	600

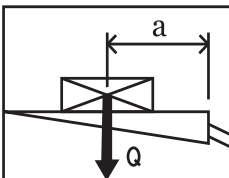
L



	a [mm]	Q [kg]
MBB F 1000 L	600	750
	700	650
	820	550
	1120	400
	1800	250
MBB F 1000 LD	650	1000
	850	800
	1150	600
	1700	400
	2400	250

	a [mm]	Q [kg]
MBB F 1250 S	550	1250
	650	1000
	900	750
	1350	500
	2400	250
MBB F 1500 L	600	1500
	720	1250
	900	1000
	1200	750
	2400	370

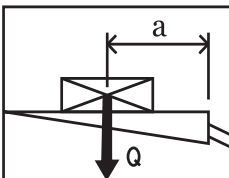
M



	a [mm]	Q [kg]
MBB F 500 L	600	500
	700	430
	820	360
	1120	260
	1800	160

	a [mm]	Q [kg]
MBB F 600 L C 600 L	600	600
	700	430
	820	360
	1120	260
	1600	160

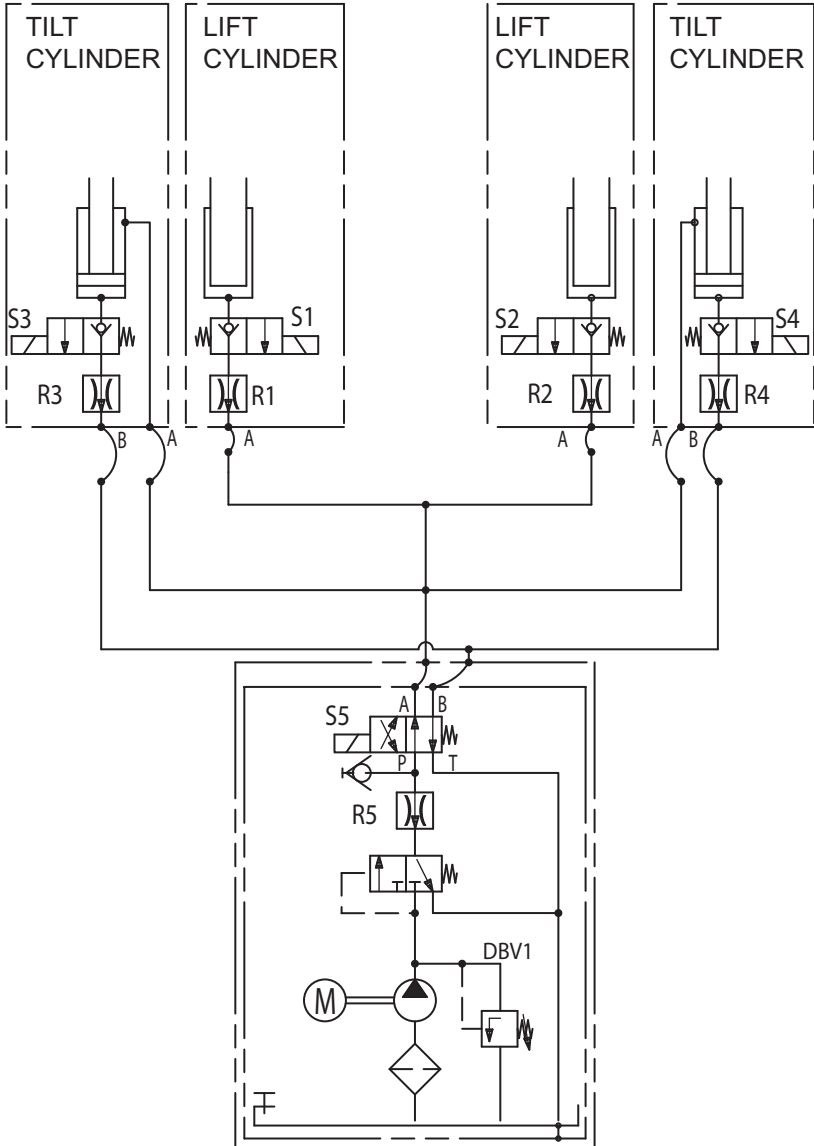
V



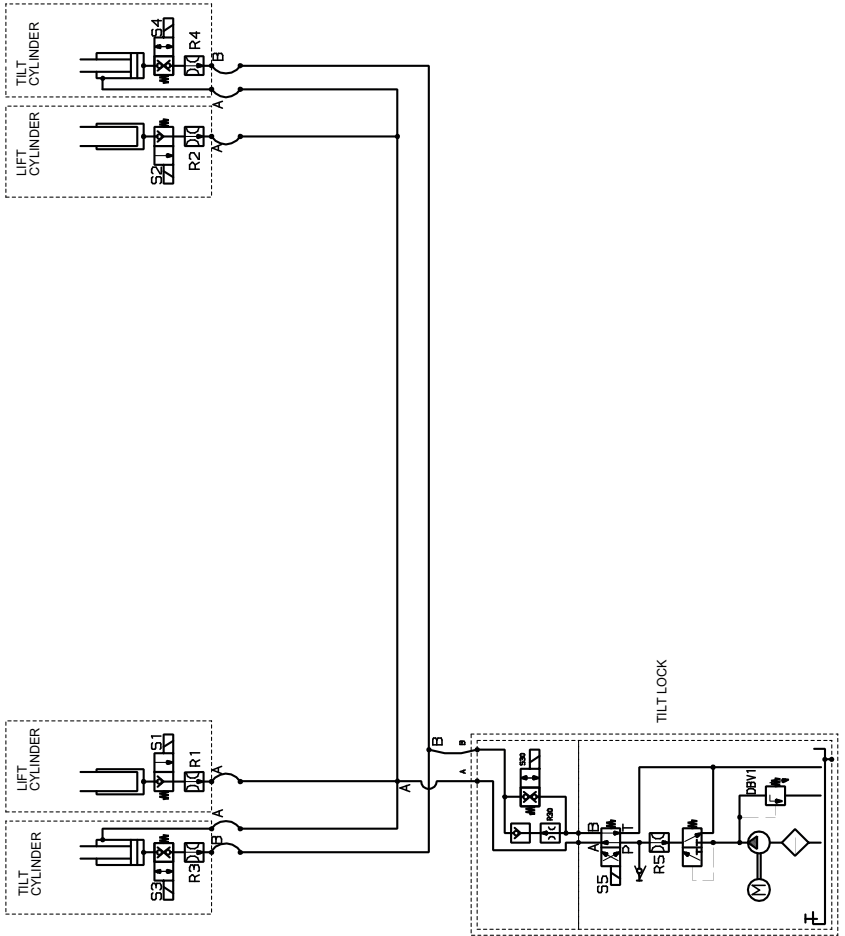
	a [mm]	Q [kg]
MBB V 4000 S	1500	4000
	1750	3400
	2000	3000
	2250	2600
	2500	2400

Hydraulic Diagrams

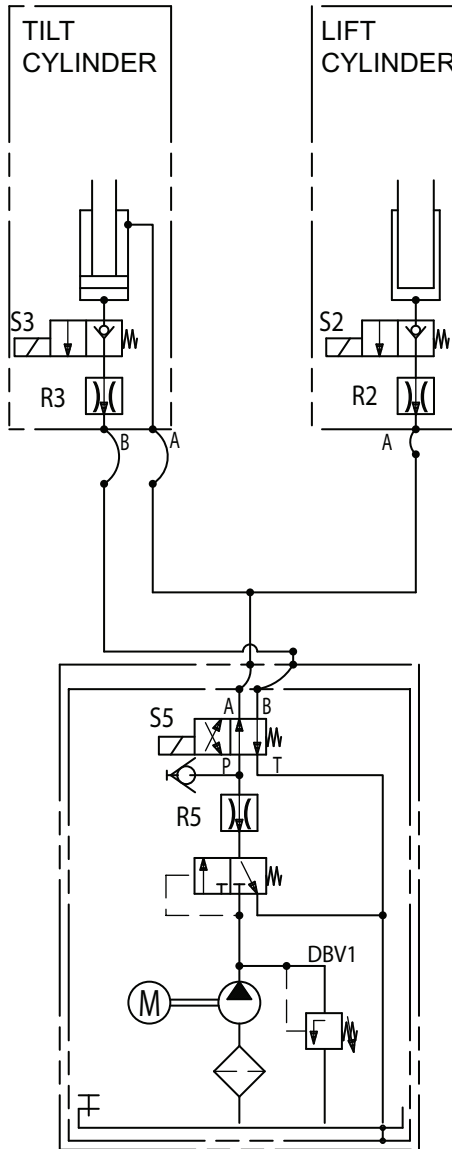
A K Standard Tail Lift with Four Cylinders 96-560.98-00.00-00



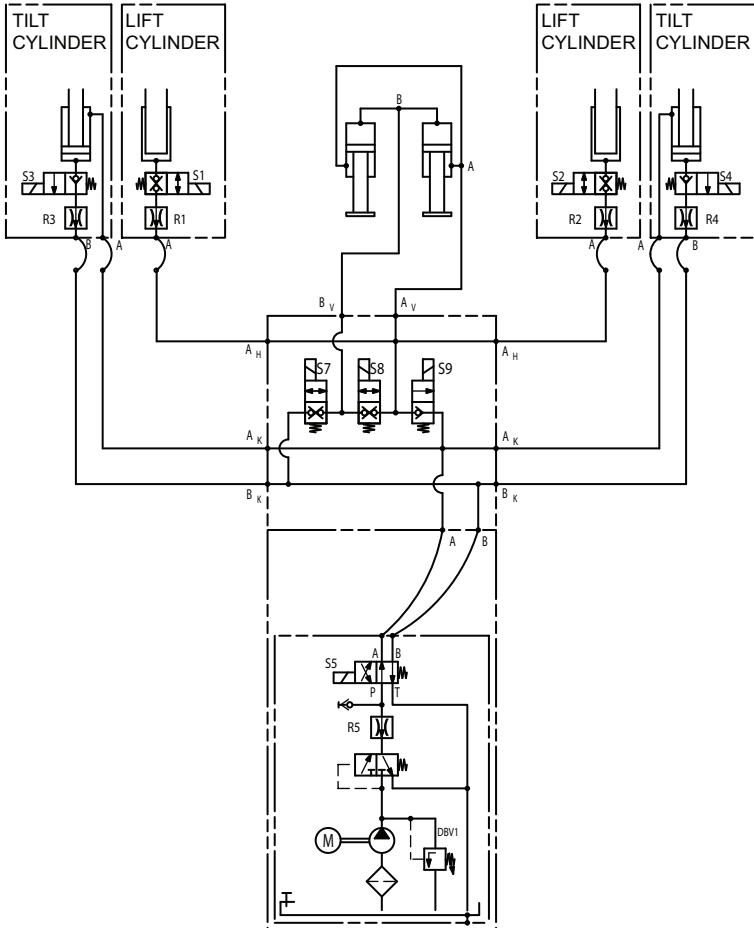
A K Standard Tail Lift With Soft Levelling



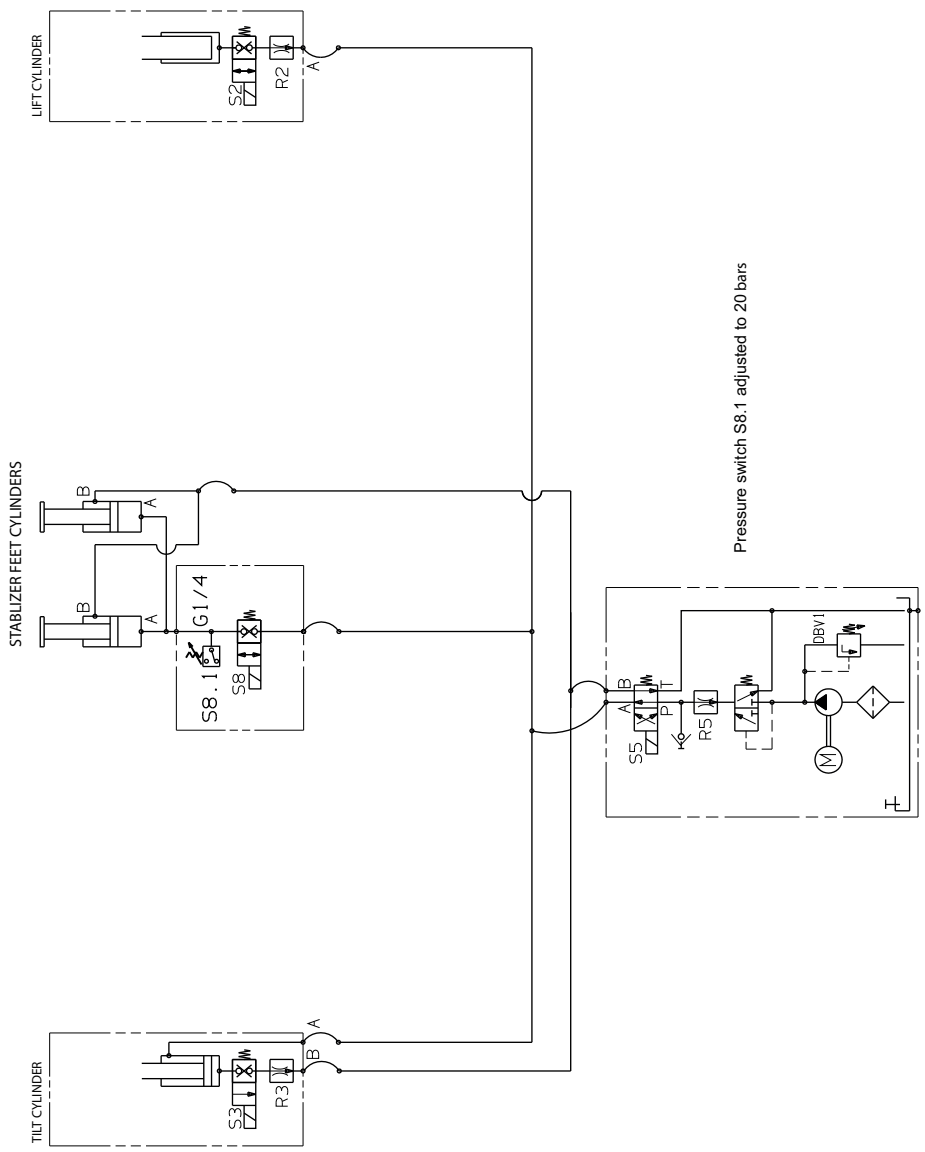
A C Standard Tail Lift with Two Cylinders
97-510.98-00.00-00



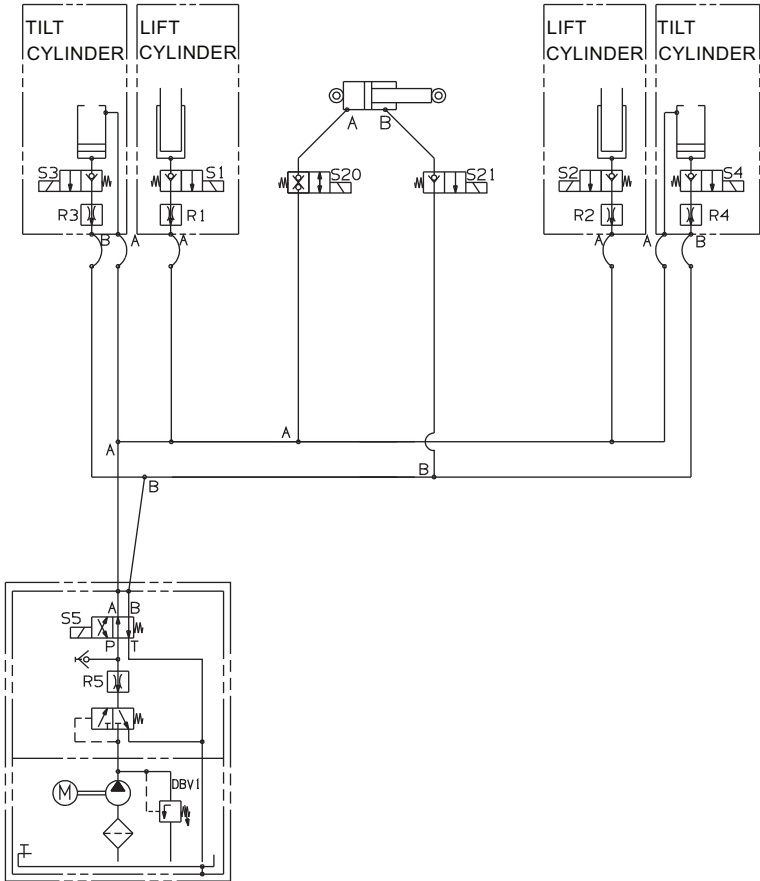
A Standard Tail Lift with Hydraulic Support
96-524.98-01.00-00



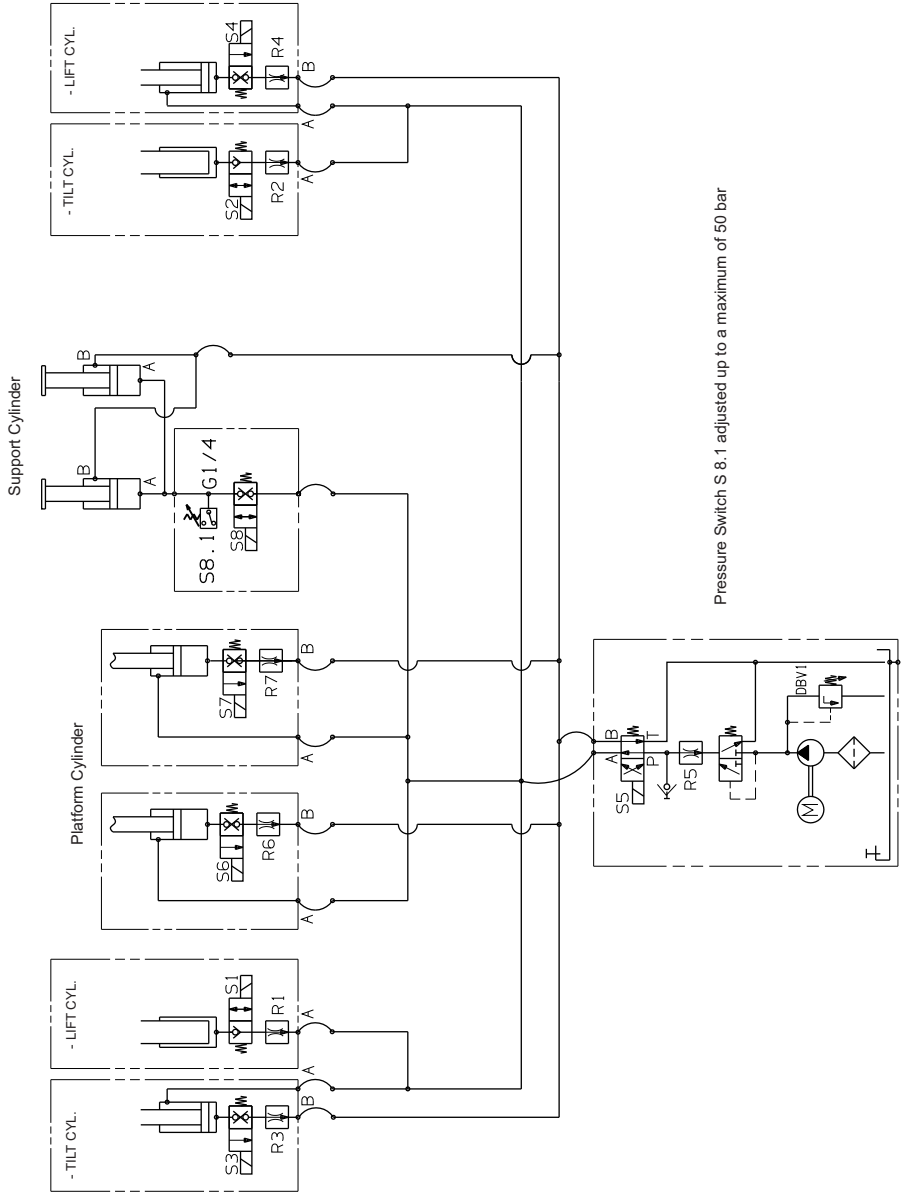
**A Tail Lift with Hydraulic Stabilizer Feet
MBB C 750 L – C 1000 L**



A Standard Tail Lift with Hydraulic Underrun Bumper
99-514.98-01.00-00

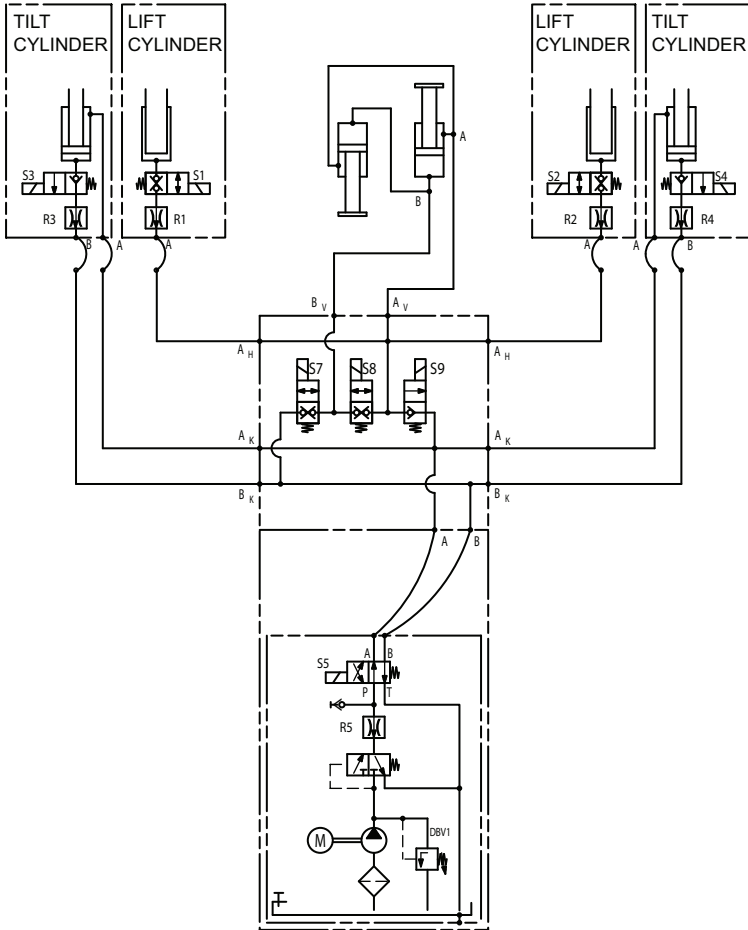


A Standard Tail Lift MBB C 750 SX
13-631.98-02.00-00/3

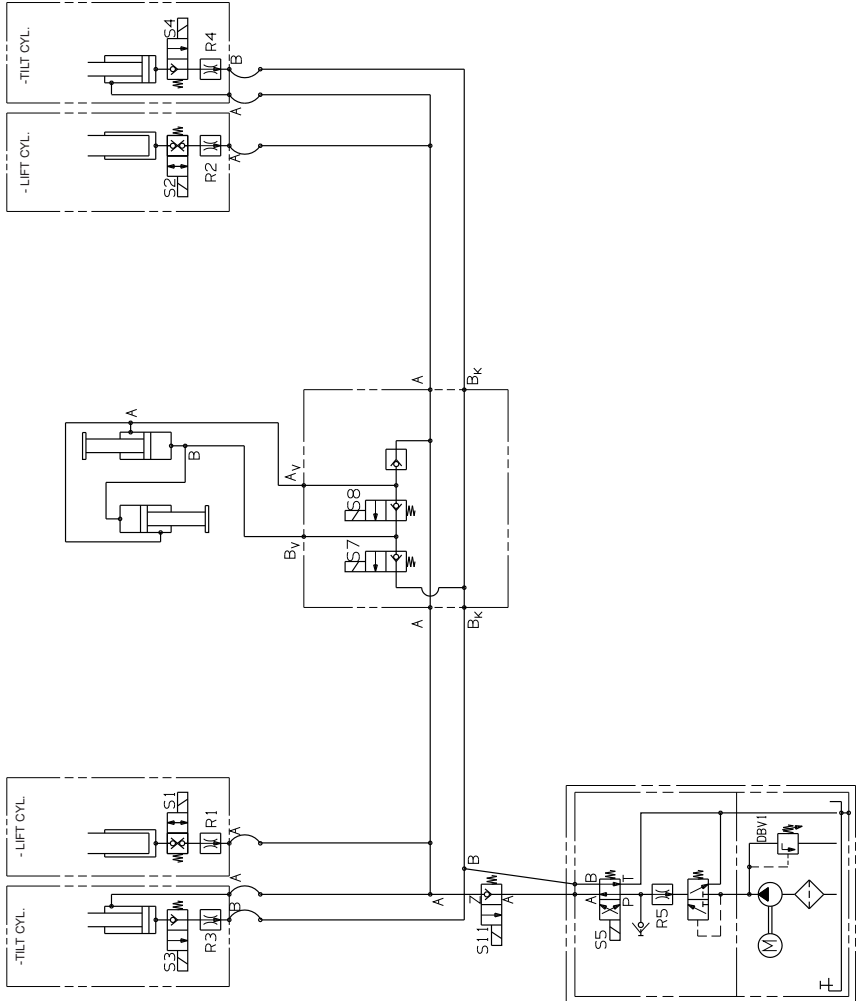


Pressure Switch S 8.1 adjusted up to a maximum of 50 bar

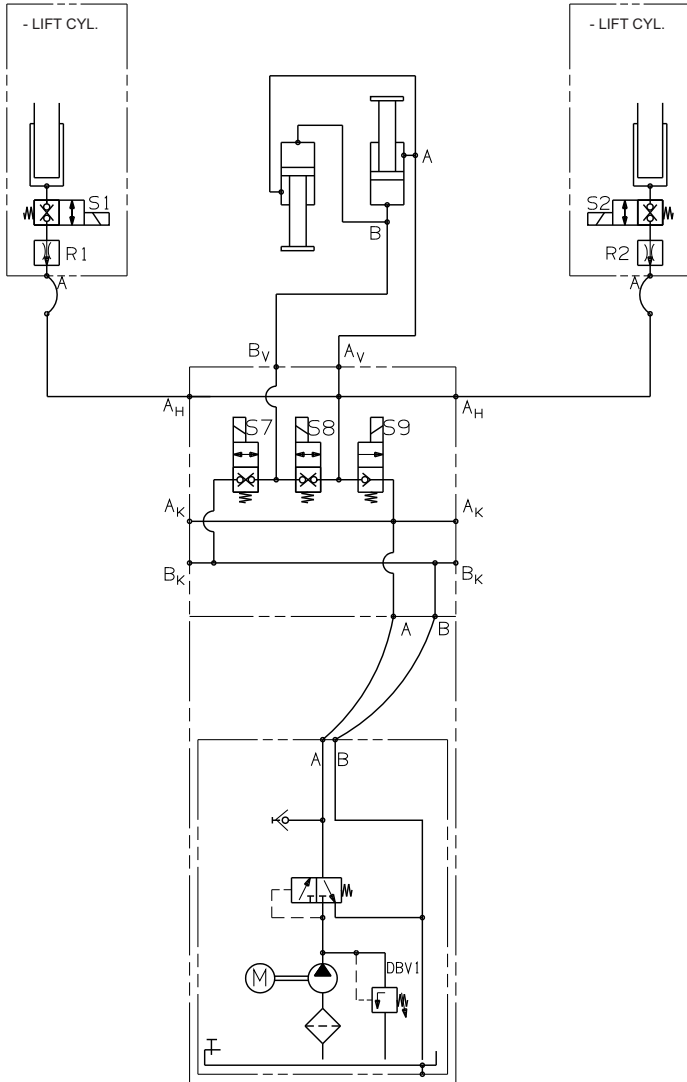
F G Retractable Tail Lift
95-585.98-01.00-00



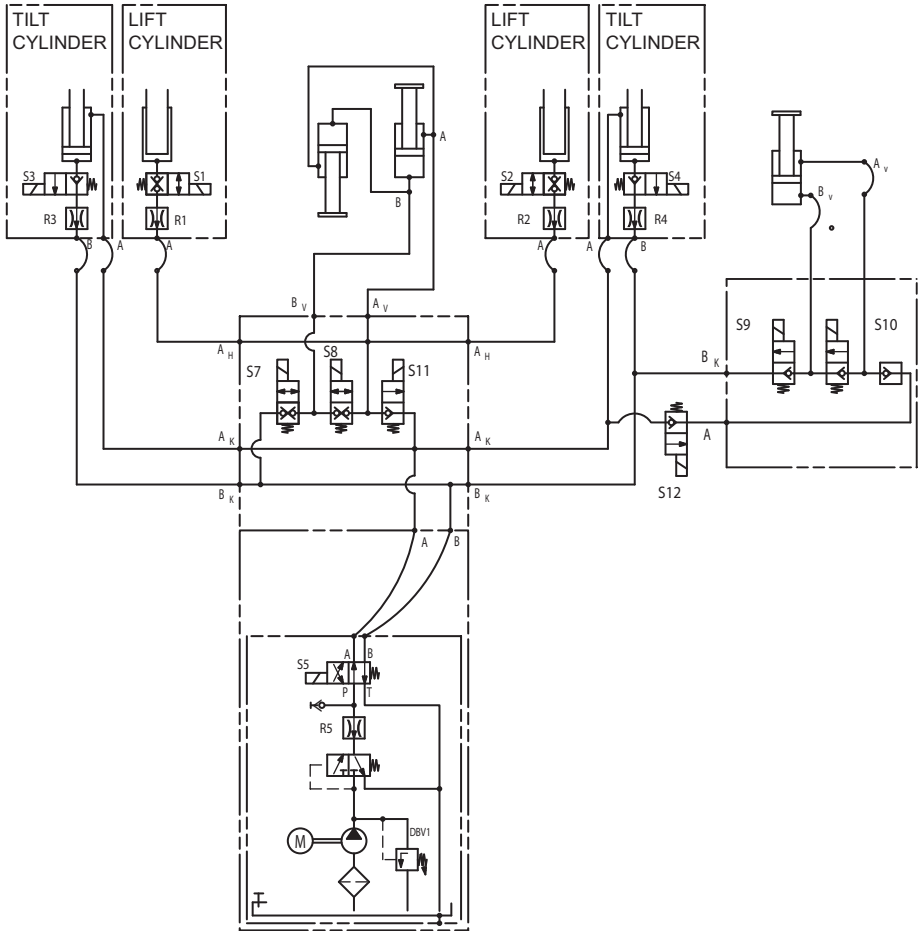
F Retractable Tail Lift MBB R 750 L, R 750 SM,
R 1000 LM, R 1500 SK and R 2000 LK
 00-538.01-98.01-00/3



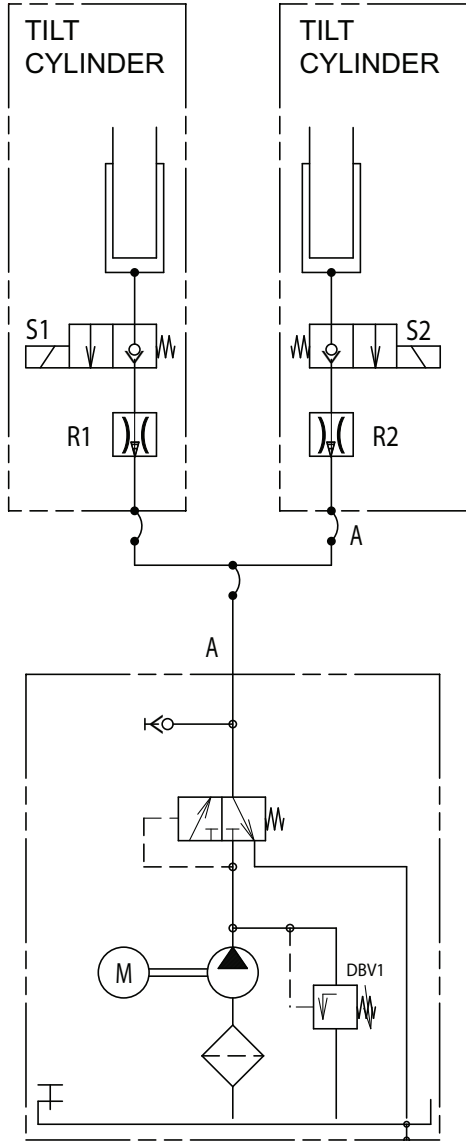
F Retractable Tail Lift MBB R 1500 L FLAT
99-553.98-01.00-00/3



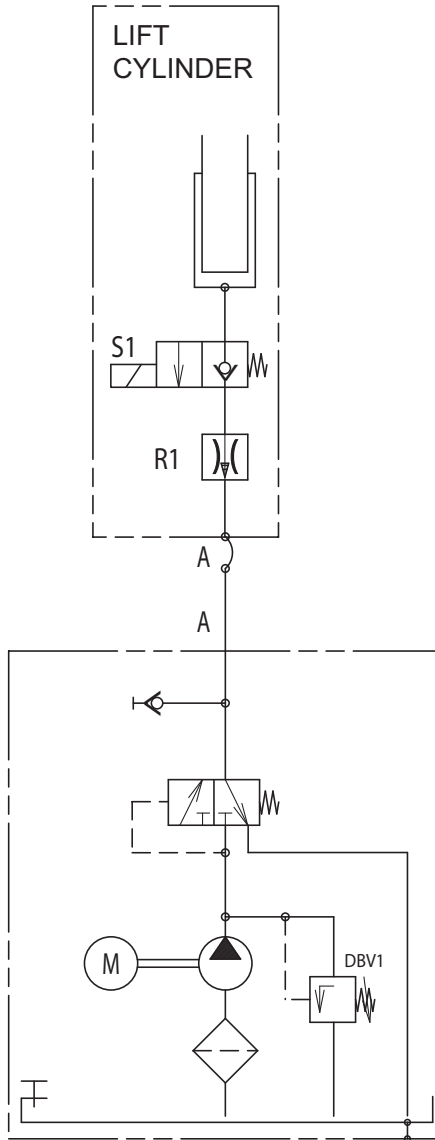
G Retractable Tail Lift MBB R 1500 SH and R 2000 LH
00-514.98-00.00-00



L **Foldable Tail Lift**
93-505.60-08.00-00

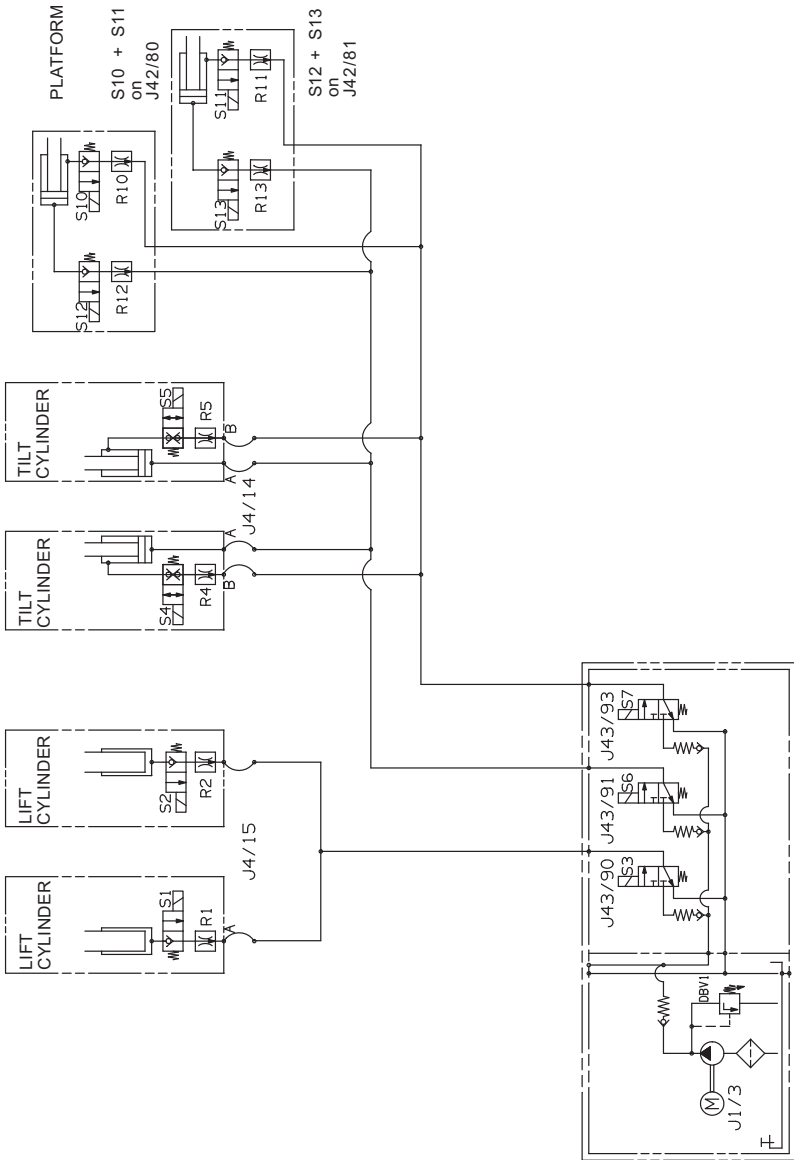


B M Foldable Tail Lift
02-528.60-08.00-00



V Column Lifts

09-545.98-00.00-00



Lubricants and Operating Media

Recommended Hydraulic Oil Grades

- Shell Tellus S2 V 15
Operation temperature: -20 °C to 60 °C
 - Aero Shell Fluid 41
Operation temperature: -54 °C to 90 °C
- "Cold climate" option
- Aero Shell Fluid 41 and low temperature gaskets against vitrification of sealing material
Operation temperature: up to -54 °C

Environment-friendly Oils

Increasing awareness for the environment calls for environment-friendly, biodegradable oils for hydraulic equipment. On request we can supply you with an oil grade tested by us. The operation temperature of this oil is listed as -20 °C to 60 °C. Please contact us.

When using other oil types, this may result in damage to cylinder seals or annoying noise.

Recommended Lubricating Grease/Oil

For low-maintenance brass bearings and guide rails:

- Shell Gadus S2 (heavy duty grease)
- Comparable lubricating grease

For plastic bearings:

- Interflon LUBE EP+
- Comparable lubricating oil

Available Accessories

The available accessories are listed in the spare parts catalog of your contractor repair shop. The list of repair shops shows you the nearest repair shop and provides further contact information.

TÜV NORD Mobilität GmbH & Co. KG

Certificate for securing a load with tail lifts Requirements specification and load prerequisites

8115029156-Z1

1 Tail lifts data / manufacturer

Manufacturer:	PALFINGER Tail Lifts GmbH Fockestraße 53 27777 Ganderkesee
Tail lifts type:	Standard - HLB with 2 tipping and 2 lifting cylinders
Platforms:	Aluminium and steel
Control arm length:	up to 1,100 mm

The tail lifts fulfill the requirements of DIN EN 12642 Code XL.

2 Tail lifts types and equipment data

2.1. Tail Lift load capacity 500 kg to 750 kg - all pitches

Platform dimensions:	Height: 1,200 - 2,000 mm Width: 1,750 - 2,600 mm Bearing bolt diameter Ø 25 mm
Control arm length:	600 to 800 mm
Nominal load:	500 kg to 750 kg

Platform heights: up to 2,000 mm

Permissible load masses
Proven max. test forces (DIN EN 12642 Annex A)

5,000 kg 1,500 daN

2.2. Tail Lift load capacity 500 kg to 1000 kg - support tube ST180 and all pitches

Platform dimensions:	Height: 1,200 - 2,000 mm Width: 1,750 - 2,600 mm Bearing bolt diameter Ø 25 mm
Control arm length:	600 to 800 mm
Nominal load:	500 kg to 1,000 kg

Platform heights: up to 1,600 mm
Platform heights: up to 1,800 mm
Platform heights: up to 2,000 mm

8,000 kg 2,400 daN
7,500 kg 2,250 daN
7,000 kg 2,100 daN

This certificate is only valid in complete. It is based on the associated test report and gets void, with technical and/or legal changes

8115029156-Z1
Page 1 of 3

TÜV NORD Mobilität GmbH & Co. KG

Permissible
load masses

Proven max.
test forces
(DIN EN 12642
Annex A)

2.3. Tail Lift load capacity 1000 kg to 1500 kg - all pitches

Platform dimensions: Height: 1,200 - 2,600 mm
Width: 1,750 - 2,600 mm
Bearing bolt diameter Ø 28 mm
Control arm length: 700 to 900 mm
Nominal load: 1,000 kg to 1,500 kg

Platform heights: up to 2,000 mm	12,000 kg	3,600 daN
Platform heights: up to 2,200 mm	11,000 kg	3,300 daN
Platform heights: up to 2,400 mm	10,000 kg	3,000 daN
Platform heights: up to 2,600 mm	9,000 kg	2,700 daN

2.4. Tail Lift load capacity 1500 kg to 2500 kg - all pitches

Platform dimensions: Height: 1,200 - 2,800 mm
Width: 1,750 - 2,600 mm
Bearing bolt diameter Ø 36 mm
Control arm length: 700 to 1,100 mm
Nominal load: 1,500 kg to 2,500 kg

Platform heights: up to 2,000 mm	16,000 kg	4,800 daN
Platform heights: up to 2,200 mm	14,500 kg	4,350 daN
Platform heights: up to 2,400 mm	13,000 kg	3,900 daN
Platform heights: up to 2,600 mm	11,500 kg	3,450 daN
Platform heights: up to 2,800 mm	10,000 kg	3,000 daN

2.5. Tail Lift load capacity 2000 kg to 3000 kg - all pitches

Platform dimensions: Height: 1,200 - 3,000 mm
Width: 1,750 - 2,600 mm
Bearing bolt diameter Ø 40 mm
Control arm length: 800 to 1,100 mm
Nominal load: 2,000 kg to 3,000 kg

Platform heights: up to 2,000 mm	21,000 kg	6,300 daN
Platform heights: up to 2,200 mm	19,000 kg	5,700 daN
Platform heights: up to 2,400 mm	17,000 kg	5,100 daN
Platform heights: up to 2,600 mm	15,000 kg	4,500 daN
Platform heights: up to 2,800 mm	13,000 kg	3,900 daN
Platform heights: up to 3,000 mm	11,000 kg	3,300 daN

3 Designations / conditions for loading

- Coefficient of friction $\mu_D \geq 0,3$
- Form fit of cargo in and against as well as transverse to direction of travel
- Cargo in contact to front wall
- Width of cargo min. 2.400 mm
- Distance cargo / rear doors ≤ 150 mm

TÜV NORD Mobilität GmbH & Co. KG

4 Designations for cargo (examples)

- Piece goods, stable in form and tip-resistant
- Palletised goods, stable in form and tip-resistant

5 Summary

When stipulations of par. 2 and 3 are fulfilled, the cargo securing for goods described at par. 4 is assumed by the stability of the tail lifts. Additional load securing methods like lashing down or direct lashing are not necessary.

When the conditions listed before are kept, the tail lifts are able to secure the described cargo items with regard to the requirements of the generally recognised rules of technology - like acceleration values according to EN 12195-1 (Road Traffic), German VDI guideline 2700 ff and the expert reports and certificates based on these generally recognised rules of technology. This confirmation of sufficient securing of the load also takes into account the legal requirements of safety of loads, which are listed in §§ 22 and 23 and also 30 of German StVZO.

For all cases of loading deviating from conditions listed before, additional cargo securing methods according to German VDI guideline 2700 ff are mandatory.

6 Basics

Test Report TÜV NORD Mobilität GmbH & Co. KG No.: LS 0108545

Following EN 12642, the condition of the vehicle body has to be examined and the result to be recorded according to manufacturer's specifications. Relevant national guidelines (e.g. Germany: VDI 2700 or similar / annually inspection by an educated expert) must be observed.

TÜV NORD Mobilität GmbH & Co. KG
 IFM - Institut für Fahrzeugtechnik und Mobilität
 Schönscheidtstraße 28, DE 45307 Essen
 Office Hannover
 Specialist group Load Securing
 ladungssicherung@tuev-nord.de
 +49 511 998 61274

Hannover, 19.09.2017



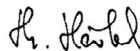
Martin Keller



PALFINGER Tail Lifts GmbH

By signing this certificate, PALFINGER Tail Lifts GmbH confirms, that the structural stability of the tail lifts delivered to the customer meets the requirements of the test sample certified by TÜV NORD.

27777 Ganderkesee (D), 21.09.2017



(Signature)

This certificate is only valid in complete. It is based on the associated test report and gets void, with technical and/or legal changes

8115029156-Z1
 Page 3 of 3

Index

A

accessories 189
alternators 168
annual maintenance 144

B

battery capacity 168
battery check 135
battery main switch 28, 40
bolts check 143
breather filter 145, 146, 148
bringing down the platform 34

C

carbon brush check 135
checks 150
clamp 148
cleaning 135
closing the platform 34
conical lubricating head 137
control panel 13

D

driver's cab control system 40

E

easy move 64, 68
explanation of terms 34
extending the platform 34, 35

F

faults 151
troubleshooting tables 152, 160, 164

folding in the platform 34
folding out the platform 34
folding part of platform 16
foot control 16, 106

G

greasing 136
ground adjustment of platform 24, 35, 46
guide cylinder 16
guide pulley 16
guide rails 16

H

hand cable control 16, 108, 110, 113
holding bar on platform 16
hydraulic diagrams 174
hydraulic oil
 change 144, 148
 environment-friendly oils 188
 recommendations 188
hydraulic oil reservoir 145, 146, 148
hydraulic stabilizer feet 29
hydraulic system check 143
hydraulic unit 16

K

key code 28, 39
 programming 125
key control 27, 39

L

lateral operating element 43
lateral operating panel 16
lift arms switch 16

lift cylinder 16
 lifting the platform 34
 low-maintenance bearings 144
 lubricants 188
 lubricating 136

M

main switch 149
 maintenance 131
 annual 144
 before starting 134
 depending on usage frequency 135
 monthly 141
 mechanical stabilizer feet 29
 model overview 13, 16
 monthly maintenance 141

N

nuts check 143

O

oil 136, 141
 oil drain plug 146, 148
 oil level check 141
 one-hand control 42
 easy move 68
 hydraulic stabilizer feet 54
 opening the platform 34
 operating element
 hand cable control 110, 113
 operating element
 foot control 106
 hand cable control 108
 lateral 42
 special operating elements 118, 120,
 122
 two hand cable control 100
 wireless remote control unit
 (standard) 116

operating media 188
 operator position 136
 overview
 column lifts 23
 foldable tail lifts 14, 22
 retractable tail lifts 14, 20
 retraction equipment 21
 standard tail lifts 13, 16, 19

P

payload 169
 payload center of gravity 136
 payload center of gravity 16
 platform 16
 close 34, 36, 42
 extend 34, 42
 fold in 34, 36, 42
 fold out 34, 35, 42
 ground adjustment 34
 lift 34, 36
 load 36
 lower 34, 35, 42
 moving 33
 open 34, 35, 42
 platform tilt 34
 position horizontally 34, 42
 retract 34, 36, 42
 unload 36
 platform package 16
 platform tilt 24, 35
 presetting the tail lift 24
 pushbutton 43

Q

qualification of personnel 8

R

refresh marks 136
 retracting the platform 34
 roll stop 16

roll-off protection bearings 137
rotary switch 43

S

safety devices 134
 checking 134
safety instructions 8
scope of delivery 12
service 131
service counter 126
setting the platform tilt 35
setting the platform to its horizontal
position 35
sliding console in the guide rails 138
spare parts 189
special operating elements 118, 120, 122
stabilizer feet
 hydraulic 29, 48
 mechanical 29
standard wireless remote control unit 116
stationary part of platform 16
suction filter 145, 146, 148
support tube 16
supporting strap on body 16
Switch in driver's cab 27, 39

T

tail lift 34
 close 34, 36, 42
 extend 34, 35, 42
 fold in 34, 36, 42
 fold out 34, 35, 42
 ground adjustment 34
 lift 34, 36
 load 36
 lower 34, 35, 42
 moving 33
 open 34, 35, 42
 platform tilt 34

 position horizontally 34, 42
 presetting 24
 retract 34, 36, 42
 switching off 39
 switching on 27
 unload 36

tail lift models 13, 16
technical data 168
temperature range 168
tilt cylinder 16
tilt sensor 16
toggle switch 43
torsion frame 16
troubleshooting 126
two hand cable controls 100
two-hand control 42
 easy move 64
 hydraulic stabilizer feet 48, 50
 pushbuttons 58

U

underrun bumper 16

V

valve block 145, 146, 148

W

warning devices 134
warning lights 16
wireless remote control unit 116

PALFINGER Tail Lifts GmbH

Fockestraße 53
D-27777 Ganderkesee/Hoykenkamp
Tel.: +49-4221 8530
Fax: +49-4221 87536
infombb@palfinger.com
www.palfinger.com

PALFINGER Hayons S.A.S

Rue de l'Eglise
F-61310 Silly en Gouffern
Tel.: +33-2 33 12 44 00
Fax: +33-2 33 12 44 01
francembb@palfinger.com
www.palfinger.com

PALFINGER Tail Lifts s.r.o.

Gogolova 18
SK-85101 Bratislava
Tel.: +421-252 636 611
Fax: +421-252 636 612
mbbsk@palfinger.com
www.palfinger.com

PALFINGER Tail Lifts Ltd.

Gate House
Fretherne Road
Welwyn Garden City
UK-Herts AL8 6NS
Tel.: +44-01707 325571
Fax: +44-01707 327752
inforatcliff@palfinger.com
www.palfinger.com