

PALFINGER

P 280 B

LIGHT KLASSE NX

LIFETIME EXCELLENCE



TECHNICAL SPECIFICATIONS

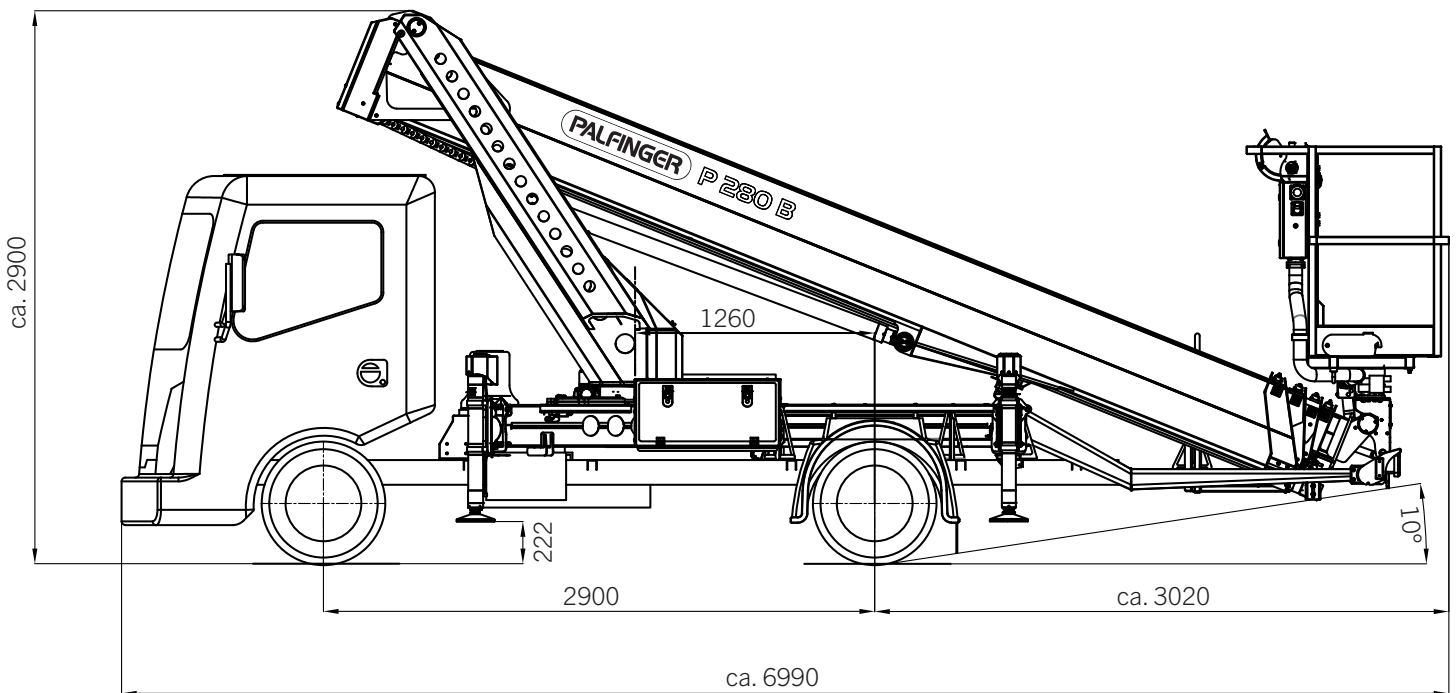
Max. working height	27.60 m
Max. cage bottom height	25.60 m
Max. outreach*	17.00 m
Rotation angle of turnable	500°
Rotation angle of cage	2 x 90°
Max. cage load	230 kg
Size of cage	1.40 x 0.70 x 1.10 m
Max. inclination of platform	5°
Height in transportposition*	2.90 m
Width in transportposition*	2.22 m
Overall length*	6.99 m
Wheelbase*	2900 mm
Total weight*	3500 kg

* depending on the truck chassis

STANDARD EQUIPMENT

Home function
Automated positioning system
Safety plates
EEC typo approval
Stabilizer control at basis and cage
Enormous options

DIMENSIONS



KP-P280BM2+EN

Units shown in the leaflet are partially optional equipped and do not always correspond to the standard version. Country-specific regulations must be observed. Dimensions may vary. Subject to technical changes, errors and translation mistakes.