

ETC 40 IH

ARTICULATED / TELESCOPIC INSULATED



INSULATED VERSATILITY

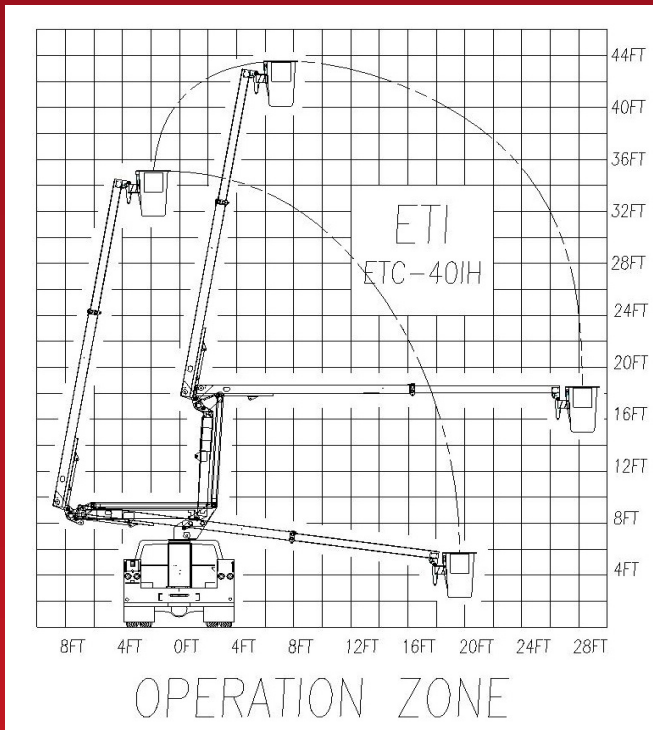
The ETC 40 IH is a powerful insulated unit with a host of standard and optional features to satisfy the needs of our customers. With a working height of 45 feet, this unit offers continuous rotation, full pressure hydraulic controls and a 400 pound bucket capacity as standard features. It can be fully customized to a customer's individual need by adding a host of options including two speed throttle, bucket tilt / rescue, bucket cover and others. This model is built to satisfy customer demand for power, reach, and innovative design.



DEPEND ON IT.



ETC 40IH



EQUIPMENT TECHNOLOGY LLC IS A FULL SERVICE SOLUTION PROVIDER OF THE HIGHEST QUALITY DESIGN, MANUFACTURING, AND POST SALE SERVICE.

EQUIPMENT TECHNOLOGY LLC

341 NW 122nd
 Oklahoma City, OK 73114
 Toll-Free: 1-888-748-3841 • Fax: 1-405-755-6829
etiequipment.com

GENERAL SPECIFICATIONS*

| | |
|---------------------------------|------------|
| Height to bottom of bucket..... | 40ft.-0in. |
| Working height..... | 45ft.-0in. |
| Sidereach, Endmount..... | 29ft.-4in. |
| Stowed height..... | 10ft.-4in. |
| Rated bucket capacity..... | 400lbs. |

MINIMUM VEHICLE SPECIFICATIONS

- GVWR (with Dual Rear Wheels)..... 19,500lbs.
- GAWR (front)..... 7,000lbs.
- GAWR (rear)..... 13,500lbs.
- C.A..... 60in.

STANDARD FEATURES

- Continuous rotation is standard on all ETC units.
- Full pressure hydraulic controls located at basket and turret with full feathering capabilities from both upper and lower controls.
- Shear ball rotation with an extended shaft for manual rotation.
- Internally mounted holding valves (integral part of cylinder) lock cylinders in place in the event of hydraulic failure.
- All pins turn on replaceable bushings.
- Single handle upper control.
- Lower boom fiberglass insert.
- 24" x 30" basket.
- 400 lbs. bucket capacity.

OPTIONS

- Emergency hydraulic power (12VDC)
- Engine start/stop at bucket
- Hydraulic tool circuit
- Two speed throttle
- Bucket tilt/rescue
- Bucket liner
- Bucket cover
- 180 degree bucket rotator.
- Two outriggers
- Various DC power options including cab comfort



Specifications are subject to change without notice
 Note (*): All specifications are based on 40" frame height