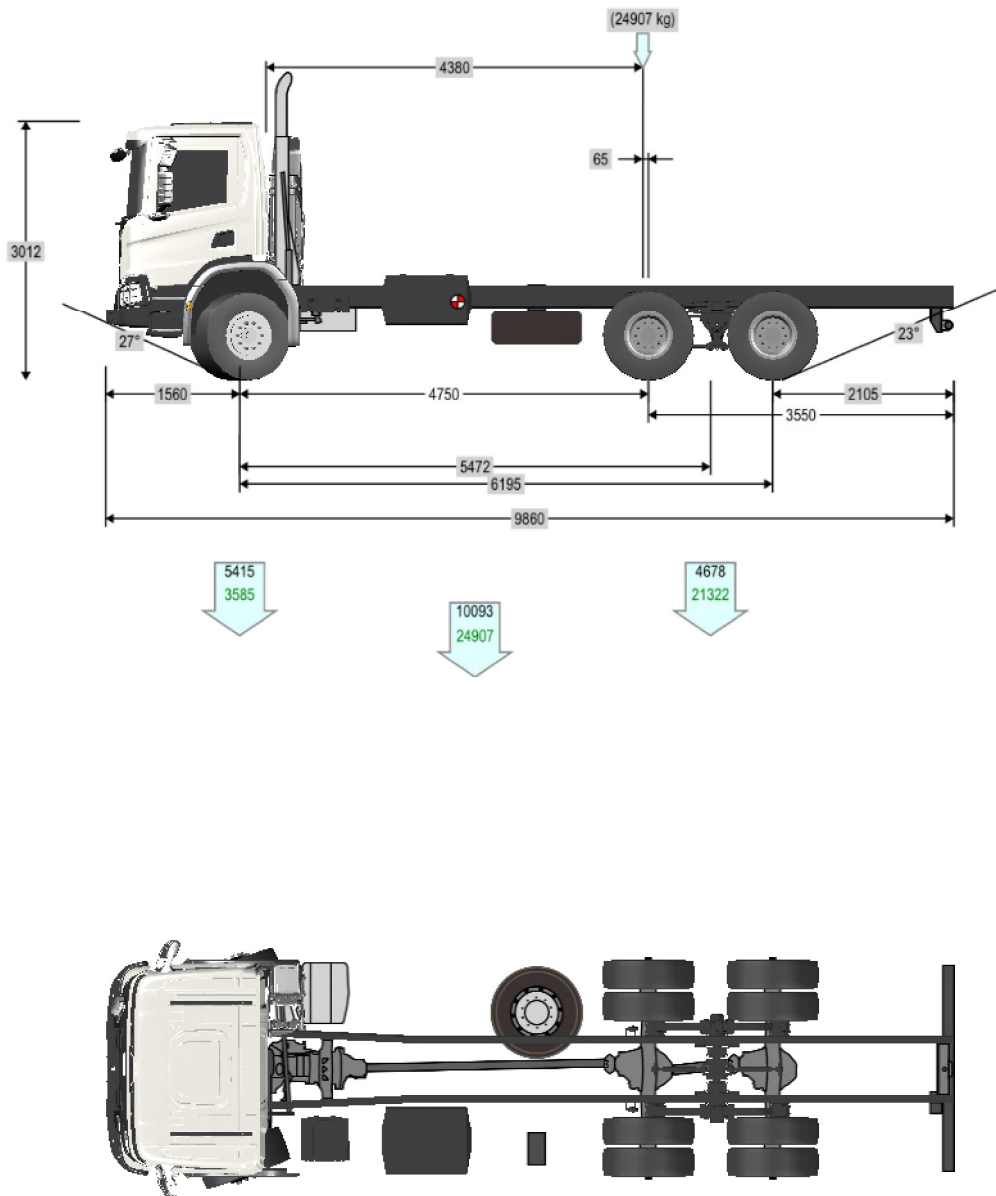


Offer no. P410 B6X4 for Flatbed and crane PALFINGER  
Issued by François LECHAT  
Remark

Customer QGMI 2021  
Date 25/05/2021

Only to be used as a guideline. Subject to changes.



Offer no. P410 B6X4 for Flatbed and crane PALFINGER  
Issued by François LECHAT  
Remark

Customer QGMI 2021  
Date 25/05/2021

Only to be used as a guideline. Subject to changes.

**Transport task**

Fuel properties Diesel, 350 ppm sulphur (840 kg/m<sup>3</sup>)

**Vehicle specification**

Chassis type	B6X4HZ
Engine	DC13 140, 410 hp (Euro 3)
Gearbox	GRSO905
Shift program	OptiCruise
Axle gear	RBP835
Axle gear ratio	4,72
Cab type	CP14L
Bumper	Protrusion 150, without FUP
Roof air deflector	Without
Side air deflector	Without
Axle distance	4750
Max. weight technical Front	9000 (4X28 AM600T)
Max. weight technical Rear	26000 (13000+13000) (2X41 + 2X48 BT300B AD500TZP)
Differential lock	With
Rear overhang	3550
<i>Fuel tanks</i>	
Right side	Without
Left side	300G
Location	High
Exhaust outlet	Vert. exhaust
Battery	Left side
Side underrun protection	Without
Frame edge protection	Without
<i>Front</i>	
Tyre 1	385/65R22.5 Construction All Goodyear, 22.5x11.75 (Steel)
<i>Rear</i>	
Tyre 1	315/80R22.5 Construction Drive Goodyear, 22.5x9.00 (Steel)
Tyre 2	315/80R22.5 Construction Drive Goodyear, 22.5x9.00 (Steel)

Offer no. P410 B6X4 for Flatbed and crane PALFINGER  
Issued by François LECHAT  
Remark

Customer QGMI 2021  
Date 25/05/2021

Only to be used as a guideline. Subject to changes.

Underrun protection

Round profile

Offer no. P410 B6X4 for Flatbed and crane PALFINGER  
 Issued by François LECHAT  
 Remark

 Customer QGMI 2021  
 Date 25/05/2021

Only to be used as a guideline. Subject to changes.

**Main configuration**

Engine	DC13 140
Gearbox	GRSO905
Axle gear	RBP835
Axle gear ratio	4,72
Drive wheel dimension	315/80R22.5

**Max. performance**

Route

Max. hp per tonne

Lowest reverse speed [km/h]	1,7
-----------------------------	-----

Gradeability [%]

Startability Acc. to EC 1230/2012 [%]

Startability [%]

**Cruising speed performance**

Gross train weight [kg]

Cruising speed [km/h]

Average speed [km/h]

Time [min]

Gear engaged

Engine revs [r/min]

Gradeability [%]

Acc. 0 to cruising speed [s]

**Fuel consumption**

Fuel cons. [l/100 km]	
Fuel cons. (avg.) [l/100 km]	*
AdBlue cons. [l/100 km]	*
Total fuel cons. (avg.) [l/100 km]	*
Total AdBlue cons. (avg.) [l/100 km]	*
Average speed [km/h]	*

**Electric Range**

Range (km)

**Emission**

Total CO2 (avg.) [g/(ton*km)]	*
-------------------------------	---

**Height [mm]**

Cab:

Roof	3012 (2955)
Boarding step	635 (579)

Frame:

Front axle	1128 (1071)
Rear axle	1113 (1050)

**Ground clearance [mm]**

Front axle	387 (367)
Rear axle (driven)	326 (294)
Bumper lowest part	478 (422)
Fuel tanks Left side	617 (558)
Spare wheel carrier	485 (425)
Side skirt	*

**Angles [°]**

front incidence angle (approach angle)	27 (24)
rear incidence angle (departure angle)	23 (21)

Offer no. P410 B6X4 for Flatbed and crane PALFINGER  
Issued by François LECHAT  
Remark

Customer QGMI 2021  
Date 25/05/2021

Only to be used as a guideline. Subject to changes.

<b>Weights [kg]</b>	<b>Front Truck</b>	<b>Rear</b>	<b>Total</b>
Chassis weight*	5282	4180	9462
Extra weight (Chassis)	83	413	496
Equipment	50	85	135
Weight unloaded	5415	4678	10093
Payload	0	0	0
Weight loaded	5415	4678	10093
Max. weight	9000	26000	35000
Weight reserve	3585	21322	24907

\* Chassis weight includes full fuel tanks and driver weight.

Offer no. P410 B6X4 for Flatbed and crane PALFINGER  
Issued by François LECHAT  
Remark

Customer QGMI 2021  
Date 25/05/2021

Only to be used as a guideline. Subject to changes.

Offer no. P410 B6X4 for Flatbed and crane PALFINGER  
Issued by François LECHAT  
Remark

Customer QGMI 2021  
Date 25/05/2021

Only to be used as a guideline. Subject to changes.

Inner radius	8089 mm
Kerb, radius	11915 mm
Wall, radius	12539 mm

