

**MBB C 2000 L**

**GREATER TRANSPORT  
CAPACITY, FEWER  
COSTS**

**LIFETIME EXCELLENCE**



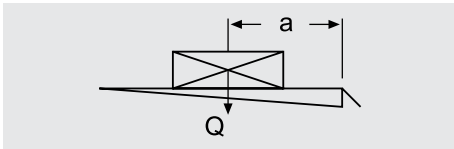
# MBB C 2000 L

## GREATER TRANSPORT CAPACITY, FEWER COSTS

### MBB C 2000 L

- Greater transport capacity
- Lifting capacity of 2000 kg
- 750 mm load distance
- Design with aluminium or steel platform
- Five available lifting arm lengths
- Wide range of options and equipment variants

### LASTDIAGRAMM



MBB C 2000 L	
a (mm)	Q (kg)
750	2000
900	1650
1100	1300
1600	950
2400	600

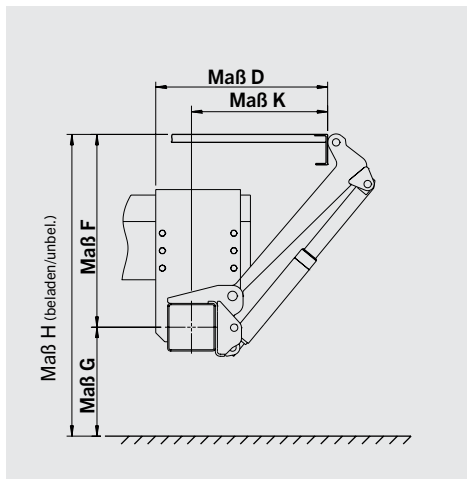
### WEIGHTS

platform type	height (mm)	width (mm)	weight (kg)
Alum.	1550	2500	507
	1700	2500	516
	1825	2500	524
	1950	2500	532
	2050	2500	539
	2200	2500	548
	2300	2500	555
	2400	2500	565
	2650	2500	581
	Steel	1509	2500
1809		2500	663
2109		2500	703
2409		2500	743

### TECHNICAL DATA

Lifting capacity	2000 kg
Main beam	180 x 180 mm
Lifting gear hydraulics	2 x lifting cylinders 2 x tilting cylinders
Platform overlap with floor	- 63 mm
Lifting arm pitch	1300 mm
Load centre, longitudinal	750 mm
Load centre, across centre	Central, 50 % of rated load on one side
Inclination angle of the platform	+90° to - 10°

### DIMENSIONS



Lifting arm lengths (in mm)	700	800	900	1000	1100
H (max.) loading height, unloaded	1200	1428	1548	1651	1793
H (min.) loading height, loaded	883	916	1006	950	1023
F (max.) middle of main beam to upper edge of loading floor	650	817	924	977	1056
K (min.) at dimension F (max.)	618	601	623	721	783
D (min.) installation dimension, minimum	768	751	773	871	933
F (min.)	508	566	614	569	608
K (max.) at dimension F (min.)	726	820	907	1040	1132
D (max.) installation dimension, maximum	876	970	1057	1190	1282

**PALFINGER Tail Lifts GmbH**  
 Fockestraße 53  
 27777 Ganderkesee  
 Deutschland  
[www.palfinger.com](http://www.palfinger.com)

