

PICTURES

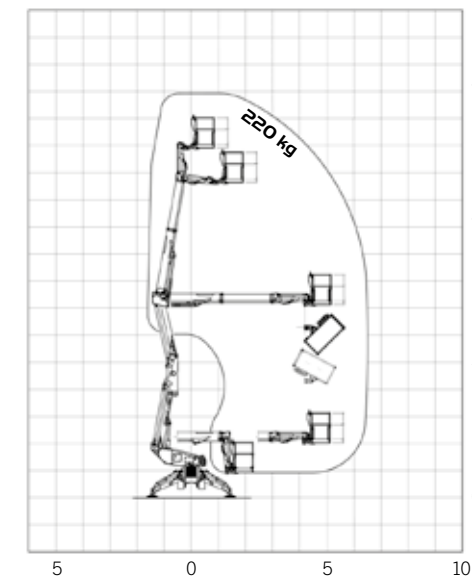


P 150 AJTK

TECHNICAL SPECIFICATIONS

Max. working height	14,9 m
Max. cage bottom height	12,9 m
Max. outreach	6,4 m
Operating angle of working arm	0° + 80°
Rotation angle of turntable	360°
Basket rotation	+60°/-60°
Max. basket load	220 kg
Size of basket	1,4 x 0,7 x 1,1 m removeable
Motor	14 HP, petrol
Height in transportposition	2,00 m
Width in transportposition	1,4 m (0,78 m without basket)
Overall length	3,78 m (3,19 m without basket)
Total weight	2100 kg

WORKING DIAGRAM



DIMENSIONS

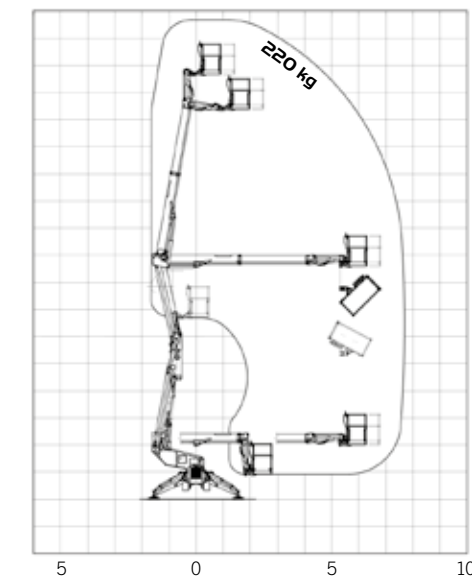


P 180 AJTK

TECHNICAL SPECIFICATIONS

Max. working height	17,7 m
Max. cage bottom height	15,7 m
Max. outreach	7,6 m
Operating angle of working arm	0° + 80°
Rotation angle of turntable	360°
Basket rotation	+60°/-60°
Max. basket load	220 kg
Size of basket	1,4 x 0,7 x 1,1 m removeable
Motor	14 HP, petrol
Height in transportposition	2,00 m
Width in transportposition	1,4 m (0,78 m without basket)
Overall length	4,43 m (3,85 m without basket)
Total weight	2450 kg

WORKING DIAGRAM



DIMENSIONS

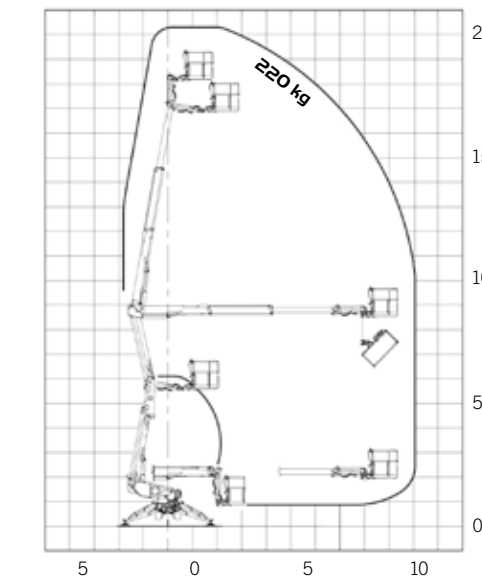


P 210 AJTK

TECHNICAL SPECIFICATIONS

Max. working height	20,3 m
Max. cage bottom height	18,3 m
Max. outreach	10,2 m
Operating angle of working arm	0° + 80°
Rotation angle of turntable	360°
Basket rotation	+60°/-60°
Max. basket load	220 kg
Size of basket	1,4 x 0,7 x 1,1 m removeable
Motor	14 HP, petrol
Height in transportposition	2,00 m
Width in transportposition	1,4 m (0,78 m without basket)
Overall length	4,63 m (4,05 m without basket)
Total weight	2900 kg

WORKING DIAGRAM



DIMENSIONS

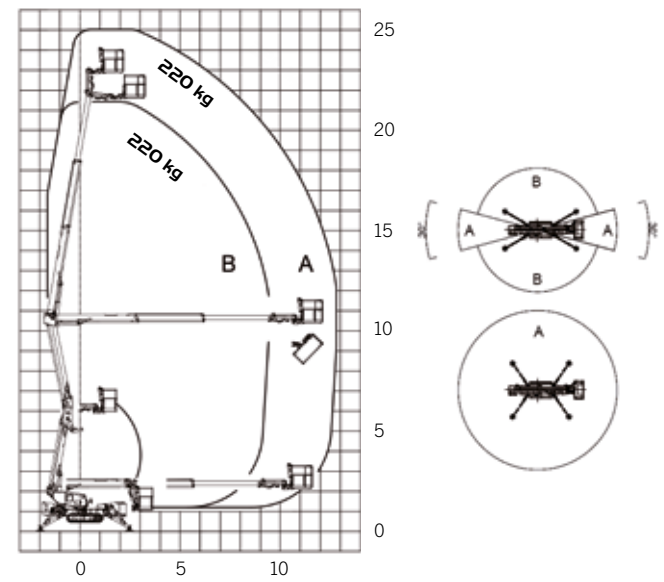


P 250 AJTK

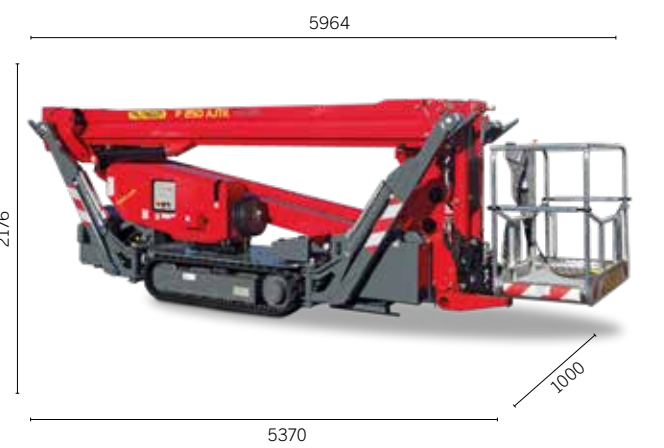
TECHNICAL SPECIFICATIONS

Max. working height	24,9 m
Max. cage bottom height	22,9 m
Max. outreach	12,9 m
Operating angle of working arm	0° + 80°
Rotation angle of turntable	360°
Basket rotation	+60°/-60°
Max. basket load	220 kg
Size of basket	1,4 x 0,7 x 1,1 m removeable
Motor	diesel
Height in transportposition	2,00 m
Width in transportposition	1,4 m (1 m without basket)
Overall length	5,96 m (5,37 m without basket)
Total weight	4100 kg

WORKING DIAGRAM



DIMENSIONS





## GENERAL

Thanks to the compact dimensions of the crawler access platforms, they can easily reach almost any location indoors and out. The crawler access platforms are extremely versatile.

For deployments on challenging terrain (e.g. construction sites, cemeteries, parks), robust and compact access platforms on a crawler chassis with long, wide rubber chains help to protect the ground underneath. Crawler access platforms not only have their own power supply, but are also highly manoeuvrable and so can easily adapt to the ground conditions. Even extreme gradients can be quickly and easily overcome thanks to the individually controllable hydraulic supports.

Crawler access platforms are also ideal for indoor work. With their compact design, they fit through any standard single or double door. A 230-V drive ensures that work can be performed with minimal environmental impact, while delicate flooring such as parquets or tiles – even with underfloor heating – are protected thanks to the rubber padding on the crawler chassis and supports. These crawler access platforms can also easily negotiate steps and other obstacles. Its compact dimensions mean that it can be easily brought inside buildings such as churches, museums, train stations, gyms and sports facilities.

## HIGHLIGHTS

- Extremely compact in transport position
- Ergonomics and maximum attention to safety
- Superstructure support system in resting condition to prevent transport damages
- Compact design and removable basket for narrow access points, for example in parks and gardens or buildings with narrow entrances (0,80 m wide)
- Variable stabilising stroke thanks to „spider leg“ supports for the terrain
- Optimum mobility thanks to cage boom
- Pipes and cables protected inside the boom
- Removable cage with dual access gates, access ladders on both sides and assembly/disassembly system

## STANDARDS

- Automatic stabilisation
- Manual emergency operation
- Air/water supply to the basket
- With lifting eyebolts for fastening during transport and for lifting with crane
- White, non-marking tracks with white outriggers pads for interiors
- Basket rotation +60°/-60°
- Two speed system
- Inclinator
- Energy supply in the basket (230 V Socket)
- Basket capacity 220 Kg

## OPTIONS

- Diesel engine (STD P250 AJTK)
- Radio control for shifting and stabilization
- Electric engine (230 V/110V)
- One-man-basket (0,7 x 0,7 m)
- Additional spotlights for night operation
- Wheels under the basket
- Towing hook

## YOUR CONTACT

KP-PAJTKM1+EN

Units shown in the leaflet are partially optional equipped and do not always correspond to the standard version. Country-specific regulations must be observed. Dimensions may vary. Subject to technical changes, errors and translation mistakes.

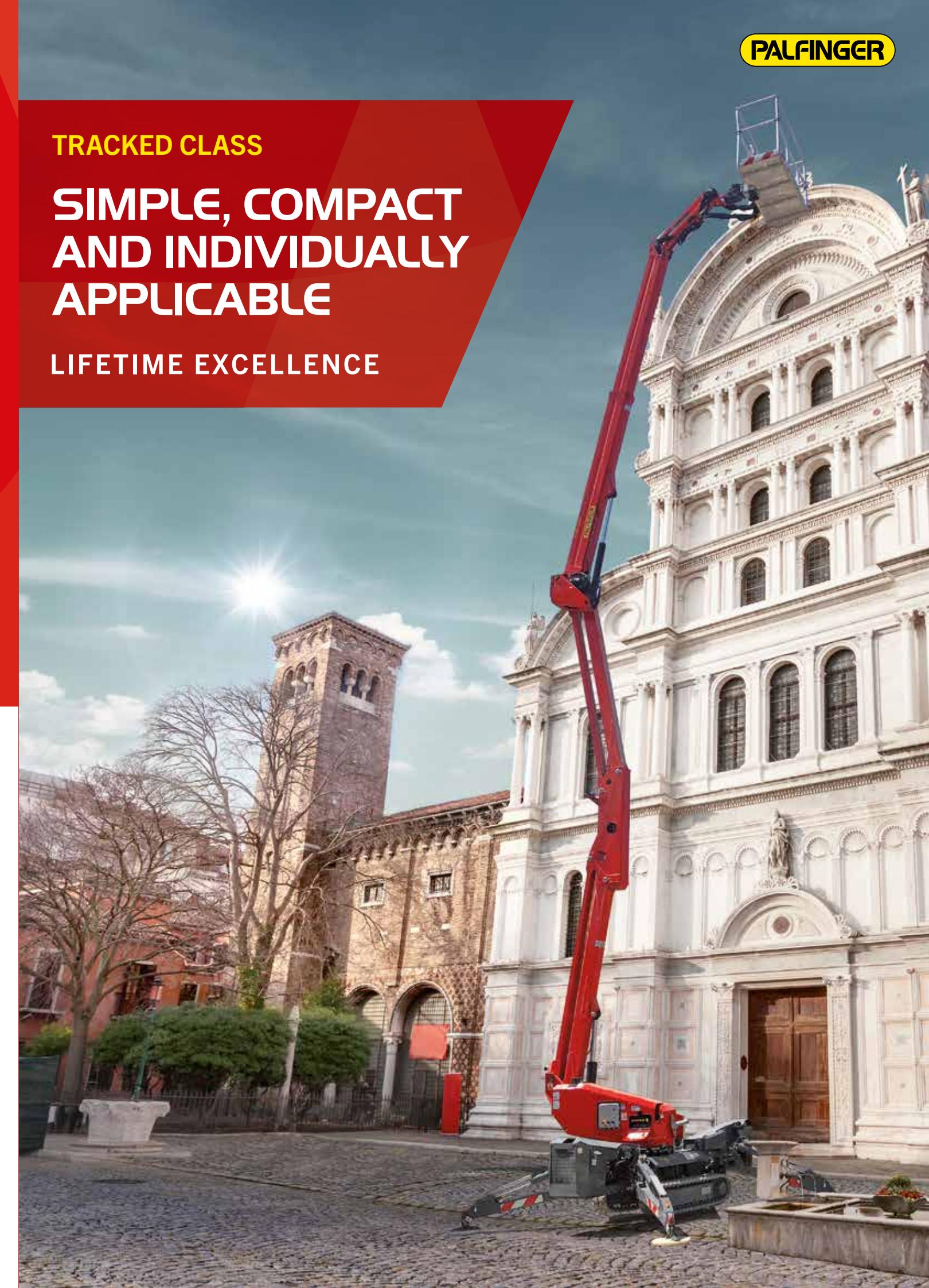
**PALFINGER**

## TRACKED CLASS

# SIMPLE, COMPACT AND INDIVIDUALLY APPLICABLE

## LIFETIME EXCELLENCE

**PALFINGER**



**PALFINGER.COM**