

Working diagrams

Palfinger P 480 *Jumbo - NX*

on

MAN TGM 18.XXX / DAF CF 300 FA 4x2

The working diagrams shown below have the following preconditions:

Solid line:

Standard working diagram

Working height = height of basket bottom + 2.0 m

The basket is in basic position (not turned) and retracted

Dashed line:

Maximum working diagram

Working height = height of basket bottom + 2.0 m

Workman basket turned into optimum position and extended

The following applies generally:

All specifications refer to standard aluminum basket

Special baskets have different ranges

Maximum inclination 0,5°

Set-up inclination is max. 2° with automatic range adjustment.

Deviations up to 2% possible due to component.

All dimensions are approximates.

Additional options might cause the outreach to be shorter.

The outreaches are approximate dimensions and depend on the chassis, the type of support and the lifting platform's additional equipment.

Illustrations of truck and unit are only of symbolic nature and do not allow any conclusions regarding technical design.

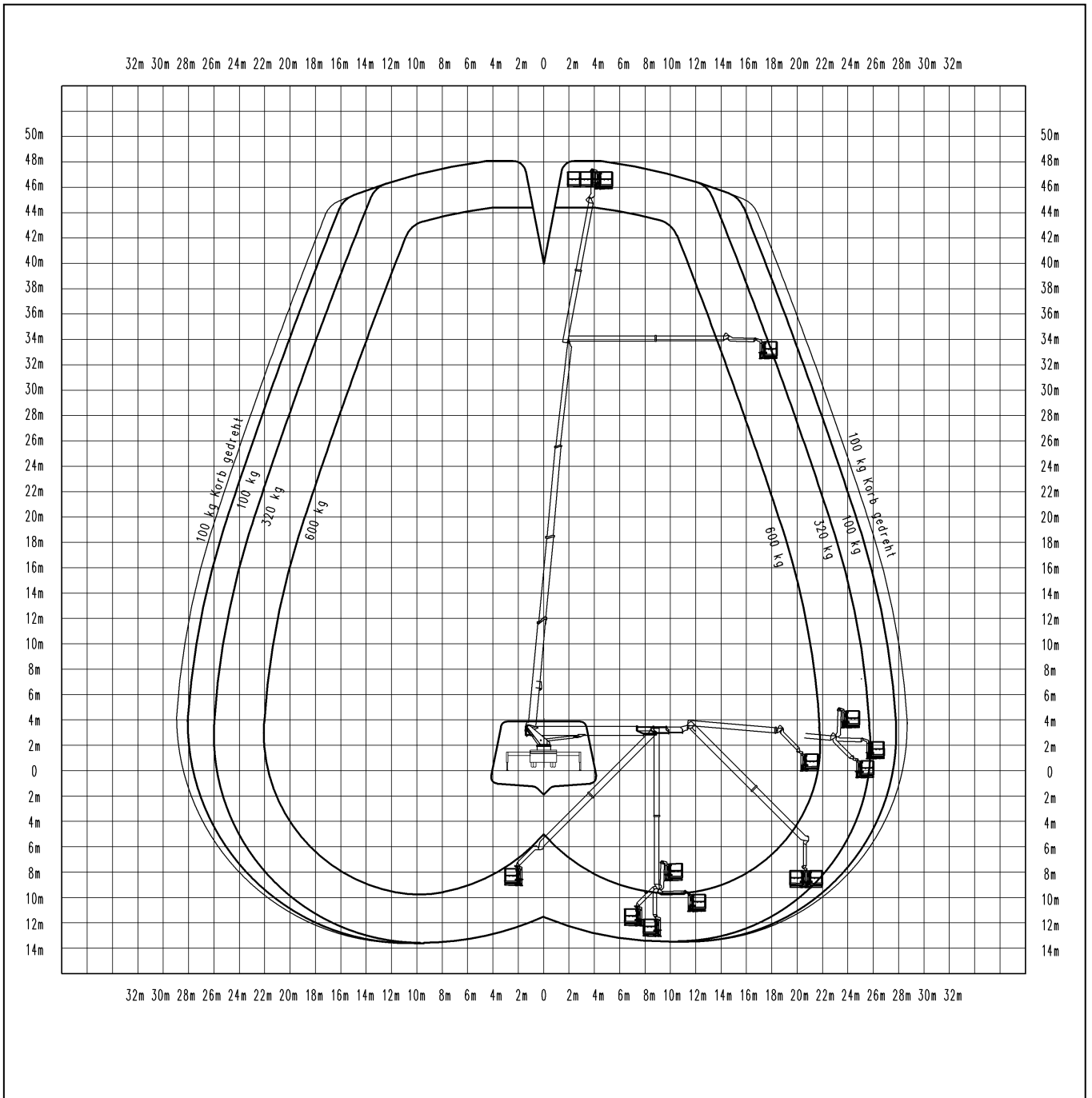
Subject to technical change!

Palfinger P 480

Rear view

Extension of stabiliser
outrigger

Front left	100%
Front right	100%
Rear left	100%
Rear right	100%

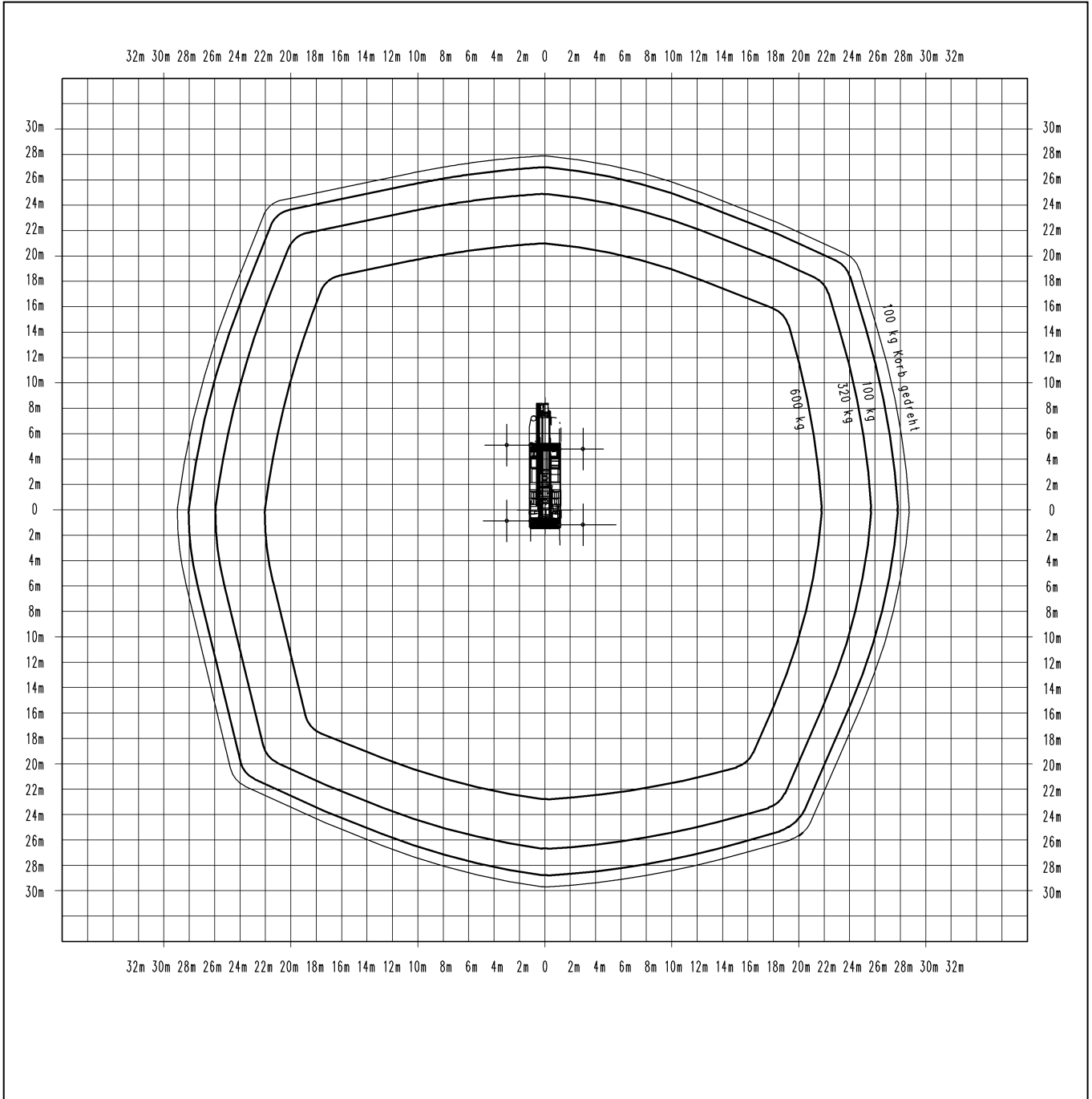


Palfinger P 480

Top view

Extension of stabiliser
outrigger

Front left	100%
Front right	100%
Rear left	100%
Rear right	100%

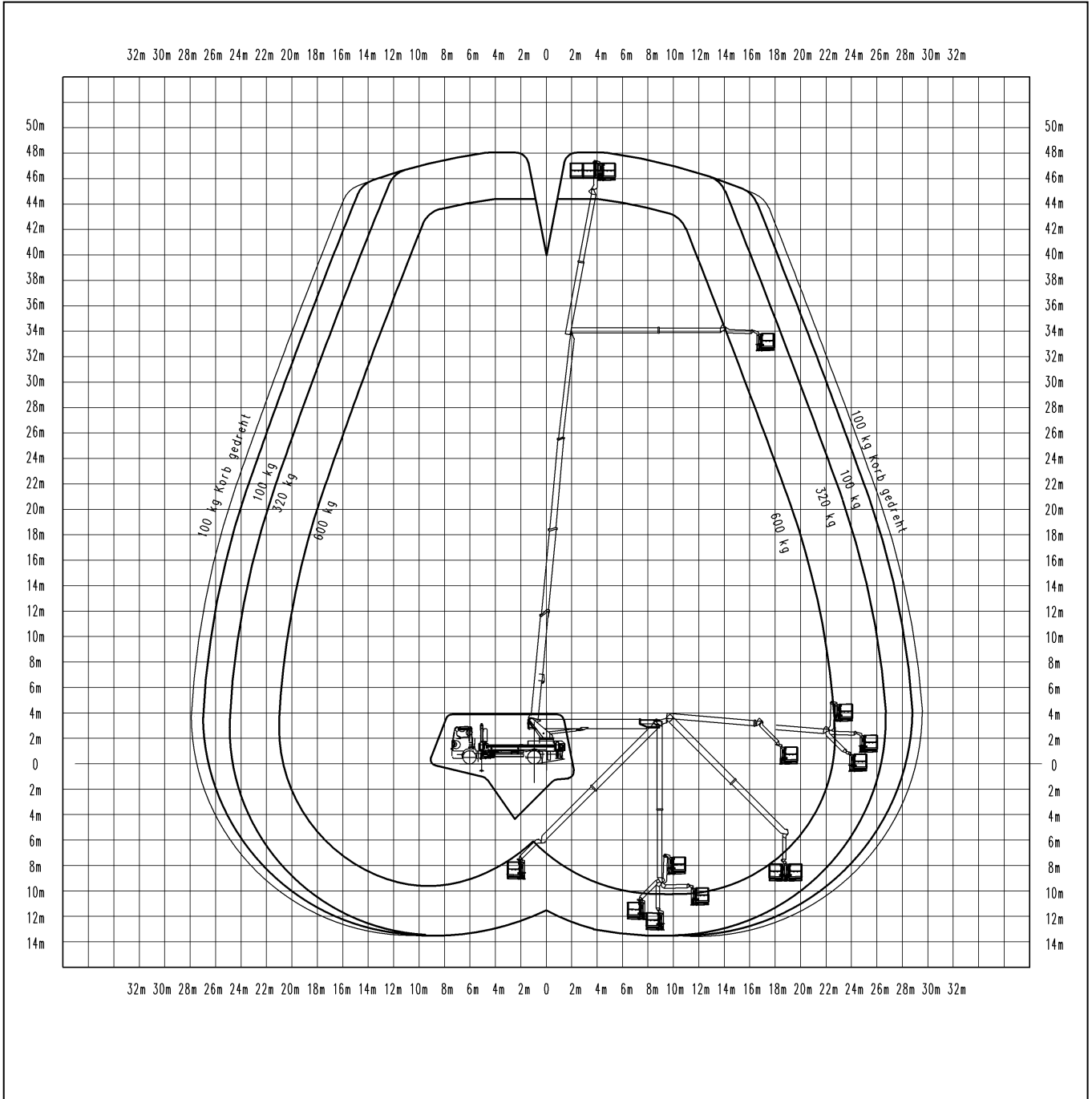


Palfinger P 480

Left view

Extension of stabiliser
outrigger

Front left	100%
Front right	100%
Rear left	100%
Rear right	100%

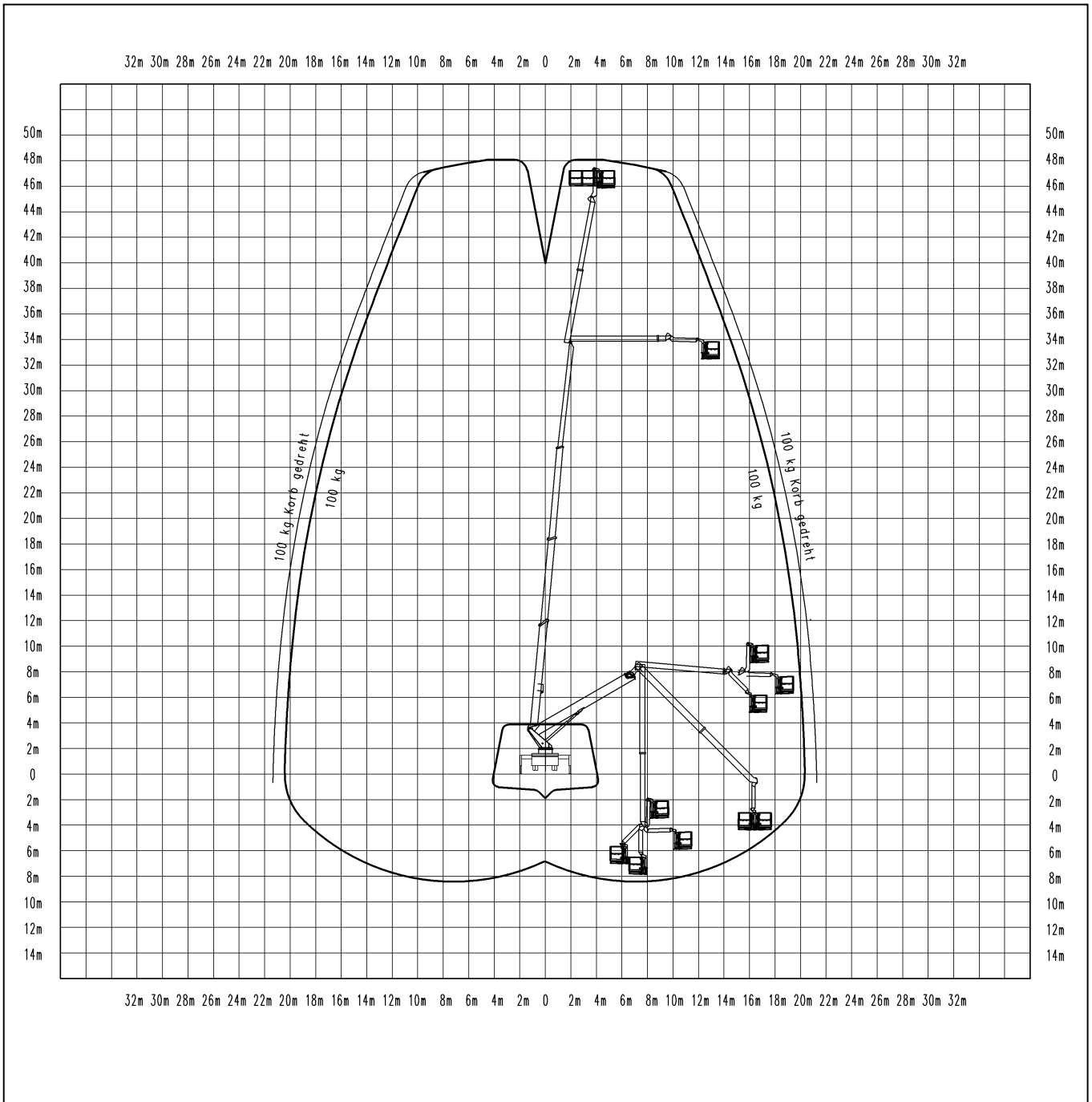


Palfinger P 480

Rear view

Extension of stabiliser
outrigger

Front left	50%
Front right	50%
Rear left	50%
Rear right	50%

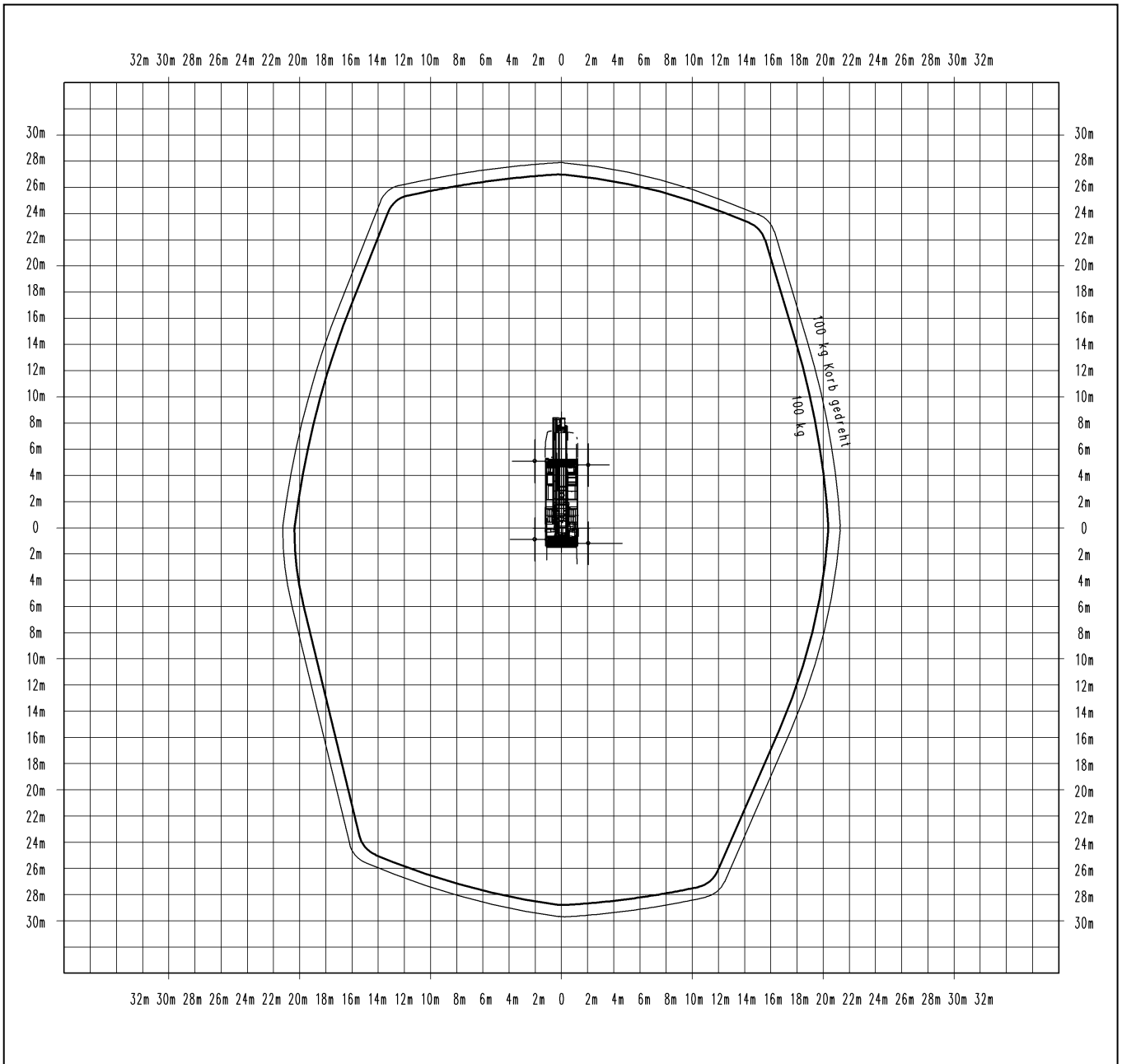


Palfinger P 480

Top view

Extension of stabiliser
outrigger

Front left	50%
Front right	50%
Rear left	50%
Rear right	50%

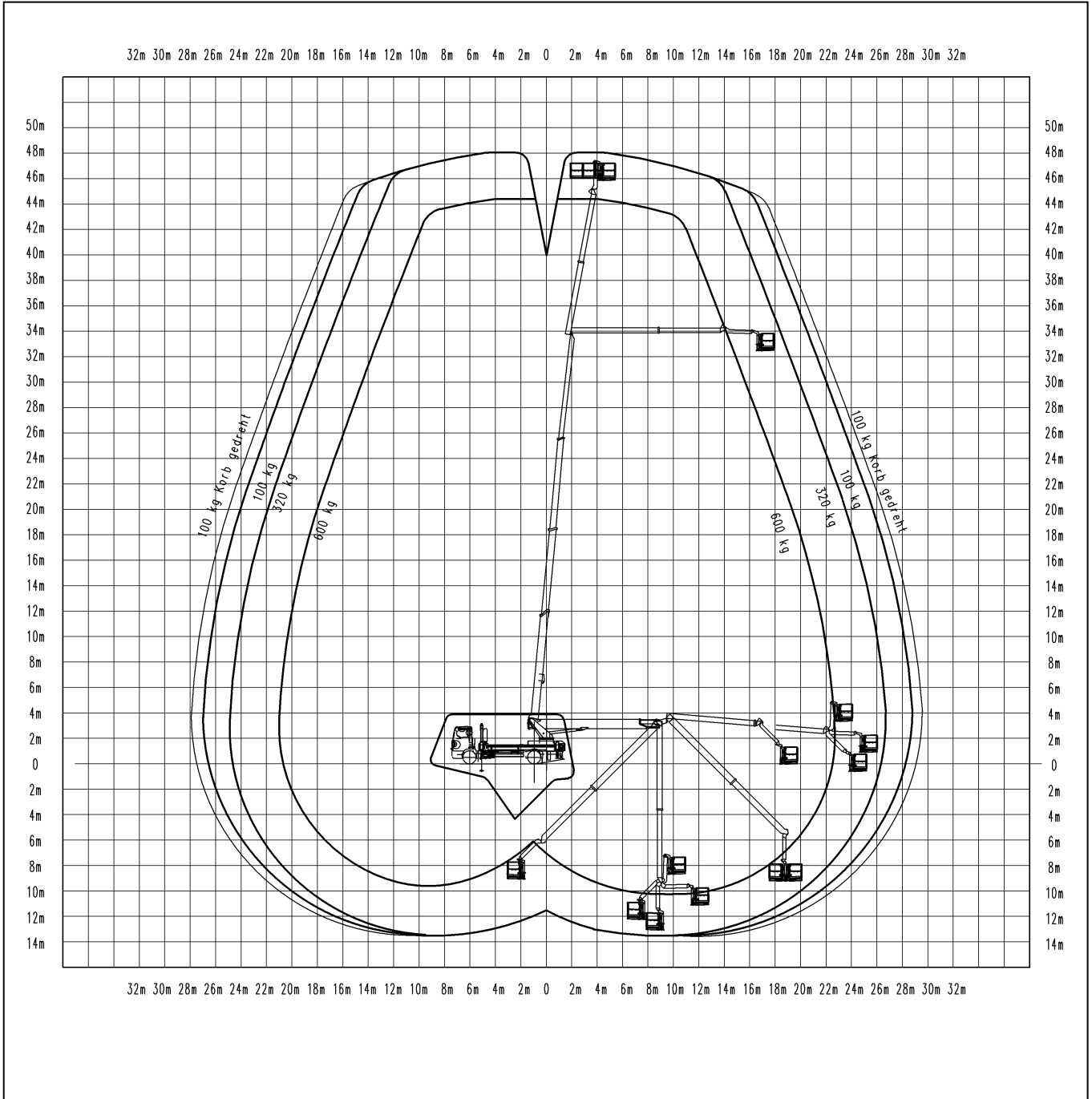


Palfinger P 480

Left view

Extension of stabiliser
outrigger

Front left	50%
Front right	50%
Rear left	50%
Rear right	50%

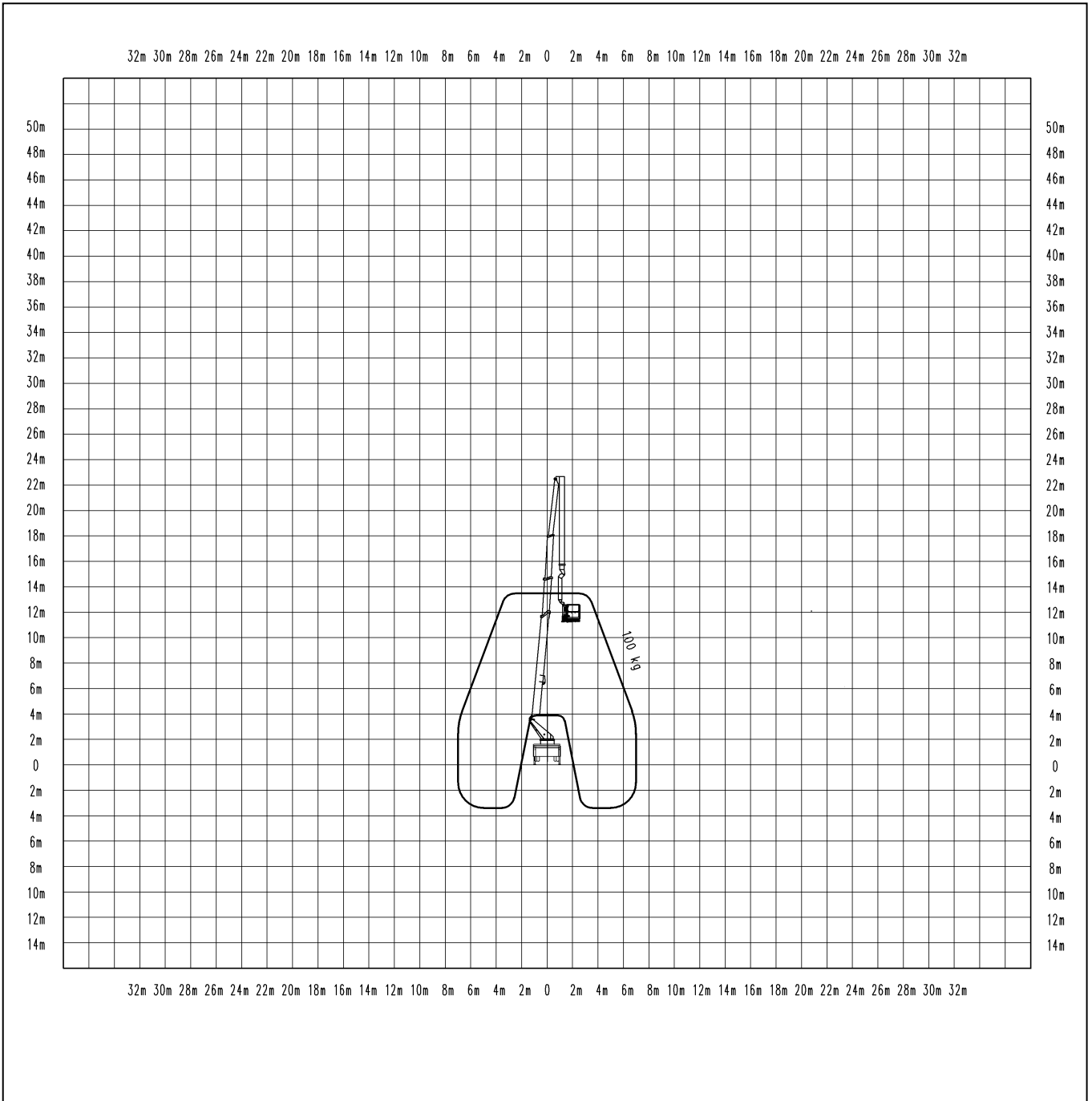


Palfinger P 480

Rear view

Extension of stabiliser
outrigger

Front left	0%
Front right	0%
Rear left	0%
Rear right	0%

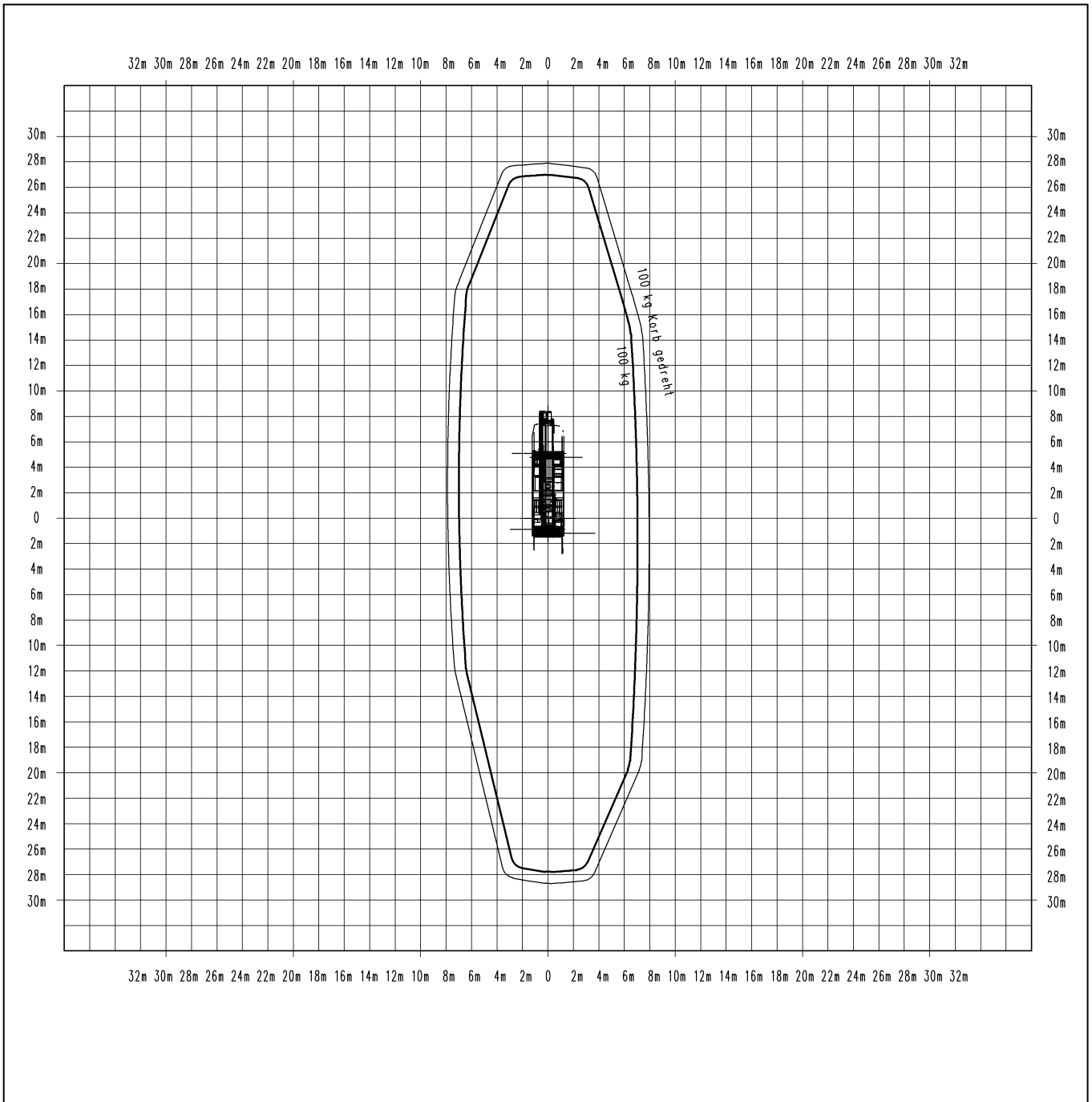


Palfinger P 480

Top view

Extension of stabiliser
outrigger

Front left	0%
Front right	0%
Rear left	0%
Rear right	0%



Palfinger P 480

Left view

Extension of stabiliser
outrigger

Front left	0%
Front right	0%
Rear left	0%
Rear right	0%

