

**PALFINGER**

**P 130 A LOW SMART**

**RELIABILITY,  
SAFETY AND  
PERFORMANCE  
ON ANY TERRAIN**

**LIFETIME EXCELLENCE**



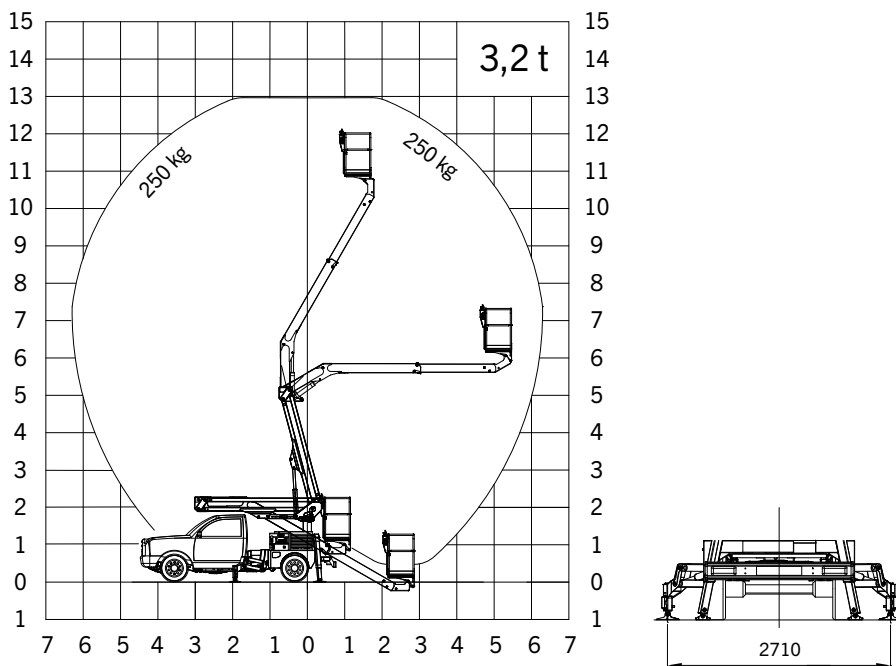
## TECHNICAL SPECIFICATIONS

Maximum working height	13 m
Maximum cage floor	11 m
Maximum lateral outreach	6.3 m
Angle of main boom	-30° + 60°
Turntable rotation	360°
Basket capacity	250 kg
Basket dimensions	1.4 x 0.7 x 1.1 m
Height in transport conditions	2.37 m
Width in transport conditions	1.88 m
Length in transport conditions	5.62 m
Can be driven with a class B license	

## OPTIONAL

Toolbox with rolling shutter
Fiberglass basket
Emergency electropump connected to the battery
Adjustable 60 W headlamp on the basket
Insulation 1000 V
Ladder to climb to the basket in stow position
Bordering
Paint upon request by the client, aerial part

## WORKING DIAGRAMS



## DIMENSIONS



SALES DEALER