

MBB PTC 750 S

**NEW DEVELOPMENT
FOR 750 KG
SEGMENT**

LIFETIME EXCELLENCE



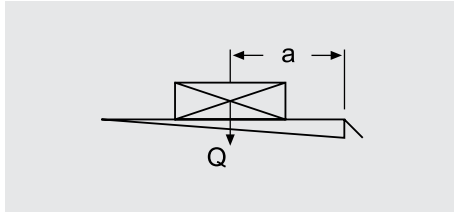
MBB PTC 750 S

THE NEW GENERATION

MBB PTC 750 S

- Innovative design
- For small vehicles
- Easy installation
- Bolted mounting plates

LOAD DIAGRAM



| MBB PTC 750 S | |
|---------------|--------|
| a (mm) | Q (kg) |
| 600 | 750 |

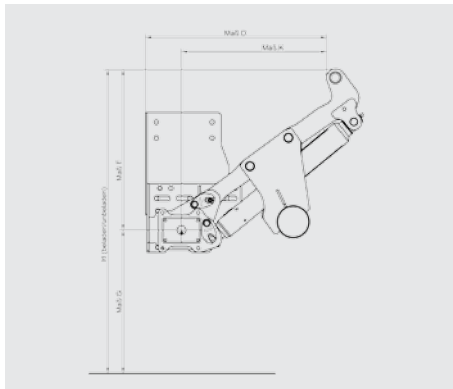
WEIGHT

| Platform type | Depth (mm) | Width (mm) | Weight (kg) |
|---------------|------------|------------|-------------|
| AluLite 30 | 1450 | 2100 | ca. 210 |

TECHNICAL DATA

| | |
|-----------------------------------|--|
| Lifting capacity | 750 kg |
| Lifting mechanism hydraulics | 2 x lifting cylinder 2x tilting cylinder |
| Lift arm pitch | Depending on vehicle |
| Load centre - longitudinal | 600 mm |
| Inclination angle of the platform | +90° bis -10° |

DIMENSIONS



| | |
|---|-----|
| Lift arm length (in mm) | 550 |
| H (max.) Loading height, unloaded | 955 |
| H (min.) Loading height, loaded | 700 |
| F (max.) Middle of main beam to upper edge of loading floor | 505 |
| F (min.) | 370 |
| G (max.) unloaded (centre of main beam to ground) | 450 |
| G (min.) loaded | 330 |

AVAILABLE FOR

- Mercedes Benz „Sprinter“ 3/5 BM 907 / 4 BM 910
- Iveco „Daily“ (C-Profile) 35C-72C
- Renault „Master“ X62 FWD/RWD
- Opel „Movano“ X62 / Nissan NV400 FWD/RWD
- Ford „Transit“ FT 330-470 V363
- Mitsubishi FUSO Canter 3C-7C18 / 3S-6S15
- Other vehicles on request



PALFINGER TAIL LIFTS GmbH
 Fockestraße 53
 27777 Ganderkesee
 Allemagne
www.palfinger.com



Applications shown in the leaflet do not always correspond to the standard specifications. Design and specification are subject to change without prior notice. Country specific regulations must be considered for the tail lift installation. Dimensions may vary. Subject to technical changes, errors and translation mistakes.