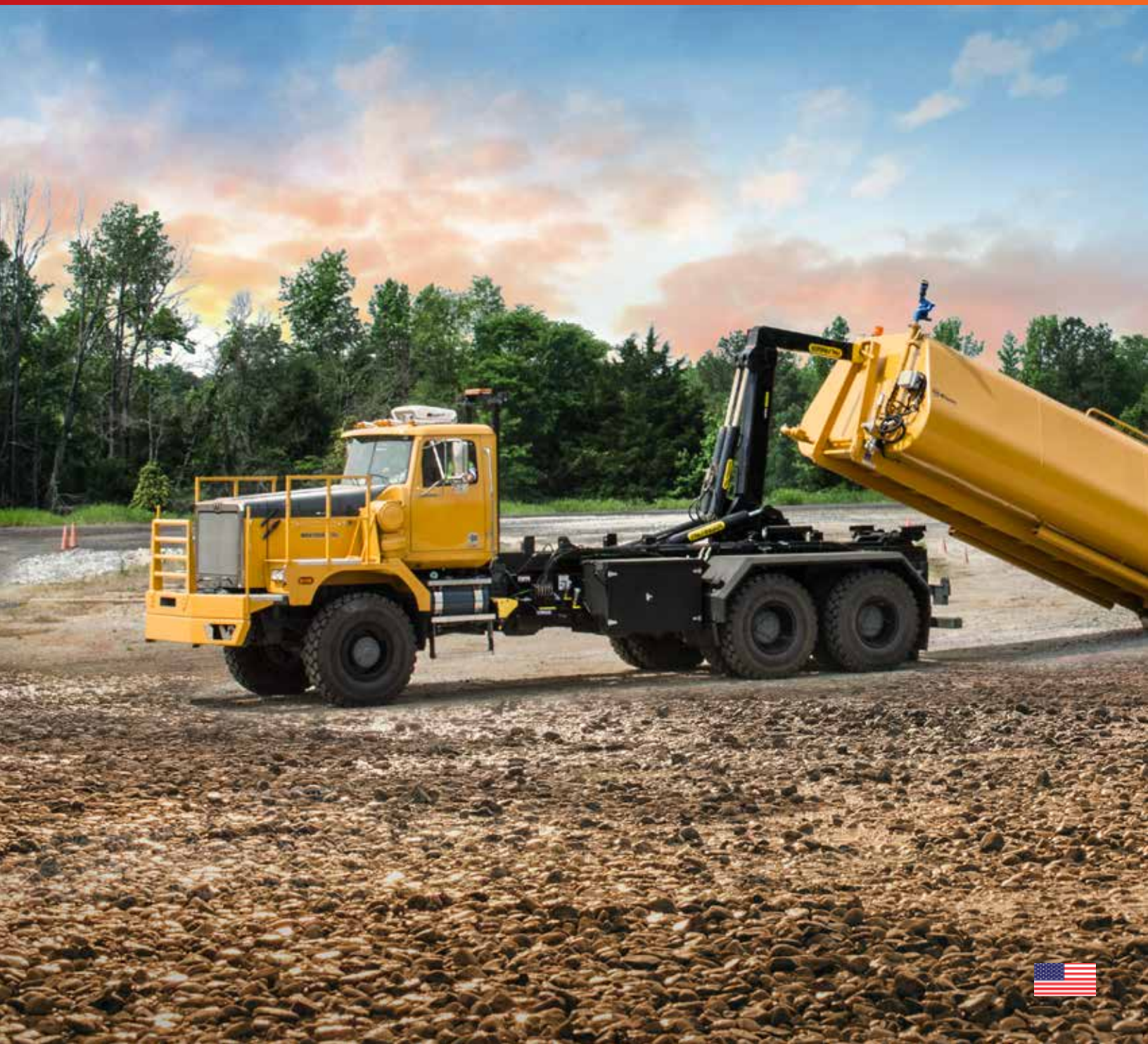


# HOOKLIFTS

**PALFINGER**

LIFETIME EXCELLENCE

## INCREASED PRODUCTIVITY SOPHISTICATED SOLUTIONS



# STRONG PERFORMANCE LIFTING WITH POWER

Palfinger American Roll-off is built on the foundation of quality and innovation, earning a reputation for producing the strongest container handling solutions available on the market since 1972.

With a wide range of container handling solutions, Palfinger American Roll-off is your one-stop shop for Cable Roll-off Hoists, Hooklifts and Container Carriers. Holding various patents in both Hooklift and Cable Roll-off lines, we are dedicated to innovation and developing the safest, most reliable and advanced products with excellent performance on the job.

Whether you need to load or dump materials, transport containers or change bodies, we understand your container handling needs in various industries.



## VERSATILE HOOKLIFT SOLUTIONS

PALFINGER is a strong brand in the design and manufacturing of hooklifts globally and in North America, with over 50 years of combined experience. Consequently, our versatile hooklift systems are built to last, offering an unparalleled degree of efficiency for your business. Our Single and Double articulating Hooklifts offer increased productivity and safety. Palfinger American Roll-off has a sophisticated solution for your needs up to 68,000 lbs.



### MUNICIPALITIES

- Fire and rescue
- Parks and recreation
- Road maintenance
- Utility construction/maintenance



### WASTE | SCRAP

- Collection and Disposal
- Recycling of paper, cardboard, vinyl etc.
- Recycling of scrap metals
- Solid and liquid wastes



### CONSTRUCTION

- C & D collection and disposal
- Demolition
- Lumber and building material transport
- Transport of aggregates



### OFF-ROAD

- ONE truck - multiple applications
- Dump truck, lube truck, flatbed truck, off-road tractor
- Maximize equipment uptime



# HAD - HAS SERIES SOLUTIONS ADAPTED TO YOUR NEEDS

# 12

## HIGHLIGHTS



### MADE IN THE USA

- Proudly designed and manufactured at our manufacturing facility in Trenton, NJ



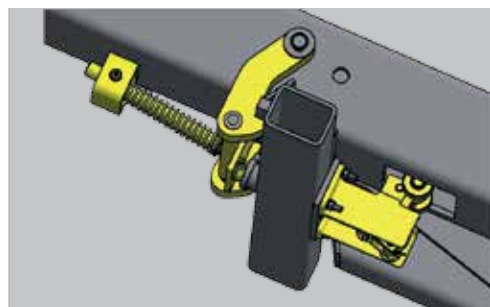
### LOW OPERATING PRESSURE SYSTEM

- Dual lift cylinders
- Max. operating pressure 3,000 psi
- Accommodates auxiliary hydraulic equipment



### IN-CAB AND OUTSIDE CONTROLS STANDARD

- User friendly controls
- Standard cable control
- Air or electric controls (optional)



### PATENTED LOCKING SYSTEM

- Allows jib to slide into dumping position
- No electrical components



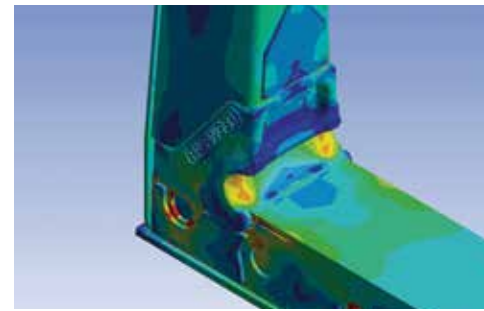
### SLIDE THROUGH CONTAINER LOCK

- Mechanical, zero-maintenance, hold down system
- No need for the driver to get out of the cab to secure the container



### DESIGN

- Simple design for easy operation
- Lower maintenance costs



### STATE-OF-THE-ART ENGINEERING

- Highest weight-to-lift ratio in the industry
- Use of high tensile steel reduces hooklift weight = **more** payload, **increased** truck longevity and **reduced** fuel costs



### CONTAINER CONVERSION

- By installing an A-Frame, an existing cable roll-off container can be converted to the hooklift system
- Modifications to the container rails are not required



### POWER ON, POWER OFF

- The PALFINGER Hooklift provides “power-on, power-off”, through the use of hydraulic cylinders.
- Containers are easily loaded and unloaded onto docks and trailers.



### TELESCOPIC JIB

- Allows the container to move 36” closer to the cab for better weight distribution
- Stop the container in any place and lock it inside the frame



### TRUE DUMP MODE

- All PALFINGER HAD Hooklifts feature Dual Points of Articulation, which allow for a true “dump” mode.



### WARRANTY

- Three (3) year warranty on all structural components. One (1) year warranty on hydraulic components.

# T-SERIES SOLUTIONS ADAPTED TO YOUR NEEDS

# 12 HIGHLIGHTS



## LONGEVITY

- Casted parts provide longevity and strength (hook, rear pivots, hinge supports...)
- Increasing product lifetime and resale value



## POP - PALFINGER ORIGIN PROTECTION

- Increased lifetime; before assembling the main components are sand blasted, de-greased, primer painted and electro-statically final coated.



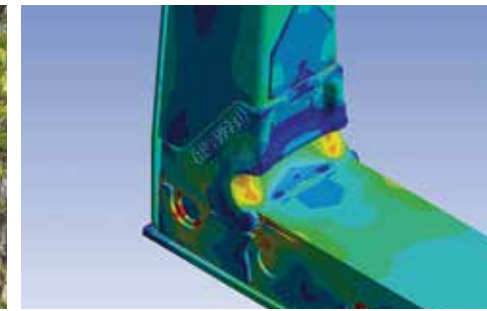
## CAB CONTROLS

- Two speeds:
- Low: used during the loading phase
- High: to reduce cycle time (used with empty or no container)



## DUAL HOOK HEIGHTS

- Provides the ability to handle multiple container sizes and capacities



## STATE-OF-THE-ART ENGINEERING

- Highest weight-to-lift ratio in the industry
- Use of high tensile steel reduces hooklift weight = **more** payload, **increased** truck longevity and **reduced** fuel costs



## CONTAINER CONVERSION

- By installing an A-Frame, an existing cable roll-off container can be converted to the hooklift system
- Modifications to the container rails are not required



## POWER ON, POWER OFF

- The PALFINGER Hooklift provides "power-on, power-off", through the use of hydraulic cylinders
- Containers are easily loaded and unloaded onto docks and trailers.



## TRUE DUMP MODE

- All PALFINGER T-Series Hooklifts feature Dual Points of Articulation, which allow for a true "dump" mode.
- With Single Articulation Hoists, the container moves rearward and often hits the ground before the full dump angle is reached.



## WARRANTY

- Three (3) year warranty on all structural components. One (1) year warranty on hydraulic components.



## SOFT STOP

- Hydraulic breaking system provides a soft landing after loading and dumping
- Impacts from the load are avoided for the protection of the hooklift, container/load and vehicle



## SLIDE THROUGH CONTAINER CATCH

- Mechanical, zero-maintenance, hold down system
- No need for the driver to get out of the cab to secure the container



## TANDEM REAR ROLLERS

- Reduces the stress on the container rails
- Rollers pivot to allow for easier loading and unloading by distributing the forces of the load

\* Available on T30 and above

# THE RIGHT CHASSIS THE CORRECT SPECIFICATIONS

## HAD - HAS SERIES

HOIST MODEL	CAPACITY	CONTAINER LENGTH	JIB HEIGHT	DUMP ANGLE
HAS 100 S	10,000 lbs.	10' - 12'	36 - 1/4"	50° - 38°
HAS 100 L	10,000 lbs.	11' - 13'	36 - 1/4"	52° - 46°
HAS 100 S SD	10,000 lbs.	10' - 12'	36 - 1/4"	50° - 38°
HAS 100 L SD	10,000 lbs.	11' - 13'	36 - 1/4"	52° - 46°
HAS 150	15,000 lbs.	12' - 14'	36 - 1/4"	52° - 43°
HAS 200 SS	20,000 lbs.	10' - 14'	36 - 1/4"	54° - 43°
HAS 200 S	20,000 lbs.	10' - 14'	54"	54° - 43°
HAS 200 M	20,000 lbs.	12' - 15'	54"	50° - 42°
HAS 200 L	20,000 lbs.	12' - 16'	54"	50° - 42°
HAD 130 S	13,000 lbs.	8' - 12'	36 - 1/4"	58°
HAD 130 L	13,000 lbs.	9' - 13'	36 - 1/4"	54°
HAD 185	18,500 lbs.	10' - 14'	36 - 1/4", 54"	58°
HAD 200 M	20,000 lbs.	10' - 14'	54"	58°
HAD 200 L	20,000 lbs.	12' - 16'	54"	56°
HAD 250 S	25,000 lbs.	12' - 16'	54"	56°
HAD 250 M	25,000 lbs.	14' - 18'	54"	49°
HAD 300 S	30,000 lbs.	12' - 16'	61 - 3/4"	56°
HAD 300 M	30,000 lbs.	14' - 18'	61 - 3/4"	49°

## T-SERIES

HOIST MODEL	CAPACITY	CONTAINER LENGTH	JIB HEIGHT	DUMP ANGLE
CiTy	6,600 lbs.	9' - 11'	36 - 1/4"	50°
T 12 S	12,000 lbs.	10' - 12'	36 - 1/4"	52°
T 12 L	12,000 lbs.	12' - 14'	36 - 1/4"	48°
T 16 S	16,000 lbs.	9' - 12'	36 - 1/4"	52°
T 16 L	16,000 lbs.	12' - 15'	36 - 1/4"	49°
T 20 S	20,000 lbs.	9' - 12'	54"	52°
T 20 L	20,000 lbs.	12' - 15'	54"	49°
PHT - 16 M	16,000 lbs.	10' - 13'	36 - 1/4"	49°
PHT - 22 S	22,000 lbs.	10' - 14'	54"	52°
PHT - 22 M	22,000 lbs.	12' - 16'	54"	53°
PHT - 22 L	22,000 lbs.	14' - 18'	54"	51°
T 29 S	29,000 lbs.	11' - 14'	54"	50°
T 29 M	29,000 lbs.	12' - 16'	54"	50°
T 29 L	29,000 lbs.	14' - 18'	54"	50°
T 29 XL	29,000 lbs.	15' - 20'	54"	47°
T 29 ST	29,000 lbs.	11' - 14'	36 - 1/4" & 54"	50°
T 29 MT	29,000 lbs.	12' - 16'	36 - 1/4" & 54"	50°
T 40 S	40,000 lbs.	14' - 18'	54" / 61 - 3/4"	50°
T 40 L	40,000 lbs.	16' - 22'	54" / 61 - 3/4"	48°
T 50	50,000 lbs.	16' - 22'	54" / 61 - 3/4"	48°
T 60	60,000 lbs.	16' - 22'	54" / 61 - 3/4"	50°
G 68	68,000 lbs.	18' - 23'	61 - 3/4"	47°

## TRUCK

HOIST MODEL	MIN. CA/CT	PLATFORM LENGTH	MIN. GVWR	MIN. F/R SUSP.	MIN. RBM
HAS 100 S	84" - 96"	126"	17,500 lbs.	6K / 13.5K	500,000 in.lbs.
HAS 100 L	96" - 108"	144"	17,500 lbs.	6K / 13.5K	500,000 in.lbs.
HAS 100 S SD	84" aft tank	132"	17,500 lbs.	6K / 13.5K	500,000 in.lbs.
HAS 100 L SD	108" aft tank	156"	17,500 lbs.	6K / 13.5K	500,000 in.lbs.
HAS 150	108" - 120"	156"	19,500 lbs.	6K / 13.5K	500,000 in.lbs.
HAS 200 SS	108" - 120"	156"	26,000 lbs.	8K / 18K	900,000 in.lbs.
HAS 200 S	120"	155"	26,000 lbs.	8K / 18K	900,000 in.lbs.
HAS 200 M	120" - 130"	178"	26,000 lbs.	8K / 18K	900,000 in.lbs.
HAS 200 L	130" - 140"	182"	26,000 lbs.	8K / 18K	900,000 in.lbs.
HAD 130 S	84" - 96"	130"	19,500 lbs.	6K / 13.5K	500,000 in.lbs.
HAD 130 L	108" - 120"	140"	19,500 lbs.	6K / 13.5K	500,000 in.lbs.
HAD 185	120" - 130"	158"	26,000 lbs.	8K / 18K	900,000 in.lbs.
HAD 200 M	120" - 130"	158"	26,000 lbs.	8K / 18K	900,000 in.lbs.
HAD 200 L	130" - 140"	180"	26,000 lbs.	8K / 18K	900,000 in.lbs.
HAD 250 S	CA = 138" - 140" / CT = N/A	183"	33,000 lbs.	12K / 21K	1,000,000 in.lbs.
HAD 250 M	CA = 168" - 170" / CT = N/A	203"	33,000 lbs.	12K / 21K	1,000,000 in.lbs.
HAD 300 S	CA = N/A / CT 126" - 132"	183"	52,000 lbs.	12K / 40K	1,000,000 in.lbs.
HAD 300 M	CA = N/A / CT 148" - 154"	203"	52,000 lbs.	12K / 40K	1,000,000 in.lbs.

## TRUCK

HOIST MODEL	MIN. CA/CT	PLATFORM LENGTH	MIN. GVWR	MIN. F/R SUSP.	MIN. RBM
CiTy	84"	115"	14,000 lbs.	5K / 9K	500,000 in.lbs.
T 12 S	84"	134"	17,500 lbs.	6K / 13.5K	500,000 in.lbs.
T 12 L	96" - 108"	153"	17,500 lbs.	6K / 13.5K	500,000 in.lbs.
T 16 S	108" - 120"	156"	22,000 lbs.	7K / 17K	750,000 in.lbs.
T 16 L	130" - 140"	187"	22,000 lbs.	7K / 17K	750,000 in.lbs.
T 20 S	108" - 120"	156"	26,000 lbs.	8K / 18K	750,000 in.lbs.
T 20 L	130" - 140"	187"	26,000 lbs.	8K / 18K	750,000 in.lbs.
PHT - 16 M	96" - 108"	153"	22,000 lbs.	7K / 17K	750,000 in.lbs.
PHT - 22 S	115" - 125"	165"	26,000 lbs.	8K / 18K	750,000 in.lbs.
PHT - 22 M	135" - 145"	184"	26,000 lbs.	8K / 18K	750,000 in.lbs.
PHT - 22 L	160" - 170"	203"	26,000 lbs.	8K / 18K	750,000 in.lbs.
T 29 S	110" - 120"	169"	33,000 lbs.	12K / 21K	1,000,000 in.lbs.
T 29 M	130" - 140"	181"	33,000 lbs.	12K / 21K	1,000,000 in.lbs.
T 29 L	150" - 160"	205"	33,000 lbs.	12K / 21K	1,000,000 in.lbs.
T 29 XL	170" - 180"	230"	50,000 lbs.	12K / 38K	1,500,000 in.lbs.
T 29 ST	110" - 120"	169"	33,000 lbs.	12K / 21K	1,000,000 in.lbs.
T 29 MT	130" - 140"	181"	33,000 lbs.	12K / 21K	1,000,000 in.lbs.
T 40 S	135" - 145"	212"	54,000 lbs.	14K / 40K	2,000,000 in.lbs.
T 40 L	180" - 190"	253"	54,000 lbs.	14K / 40K	2,000,000 in.lbs.
T 50	185" - 195"	253"	64,000 lbs.	18K / 46K	2,750,000 in.lbs.
T 60	185" - 195"	254"	64,000 lbs.	18K / 46K	2,750,000 in.lbs.
G 68	195" - 205"	254"	66,000 lbs.	20K / 46K	3,000,000 in.lbs.



**PALFINGER American Roll-Off**

572 Whitehead Rd. | Trenton | NJ 08619

✉ PO Box 5757 | Trenton | NJ 08638

T + 1 800 851 8938

F+ 1 609 588 4104

Products shown in the leaflet are partially optional equipped and do not always correspond to the standard version. Country-specific regulations must be observed. Dimensions may vary. Subject to technical changes, errors and translation mistakes.