

P250AJTK TRACKED

**NEW GENERATION
OF TRACKED PLATFORM
DESIGNED FOR OVERHEAD
WORK AND TO PROVIDE
LOGISTICAL SUPPORT
FOR THE WORKSITE.**

LIFETIME EXCELLENCE



TECHNICAL SPECIFICATIONS

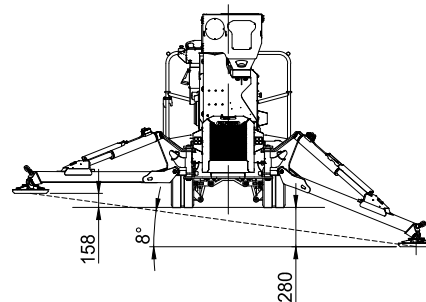
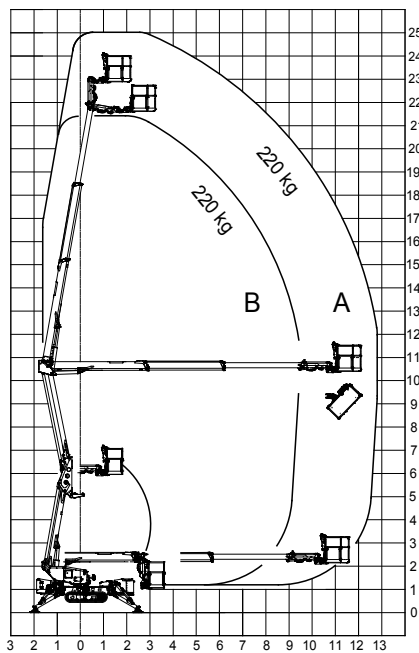
Maximum working height	24.9 m
Maximum cage floor	22.9 m
Maximum lateral outreach	12.9 m*
Basket capacity	220 kg
Angle of main boom	0° + 80°
Turntable rotation	360°
Basket dimensions	1.4 x 0.7 x 1.1 m removable
Engine featured as standard	14 HP, petrol
Height in transport conditions	2.00 m
Width in transport conditions	1.4 m (1 m without basket)
Length in transport conditions	5.964 m (5.37 m without basket)
GVW	4100 kg

OPTIONAL

One-man basket
Electric pump for internal use
Towbar for trailer
Diesel engine
Non-marking track belts
Radio control for travel/stabilisation
Type-approved trailer
Basket rotation
Dual-speed travel system

* With basket rotation (opt)

WORKING DIAGRAMS



DIMENSIONS



SALES DEALER

KP-P250AJTKM1+EN

Units shown in the leaflet are partially optional equipped and do not always correspond to the standard version. Country-specific regulations must be observed. Dimensions may vary. Subject to technical changes, errors and translation mistakes.